

## System 68

### At a glance

Dimensions

Height up to – 3600mm

Track width – 68mm

Track height – 25/35mm

### Fire Ratings

N/A

### Acoustics

Up to 45dB (Rw)

### Structure

BS 5234-2 – 1.875Kn

### Deflection Head

+/- 25mm

### Door Options

Timber Door

Glass Door

Framed Glass Door

### Glass Type Options

Toughened – 10/12mm

Toughened Lam – 12.8mm

Acoustic Lam – 12.8mm



Manifestations

Graphics

Switch Glass

Banded Glazing

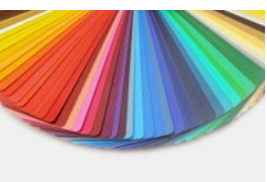
### Paint Finishes

Powder coated

Anodised

Special Anodised

Wood effect



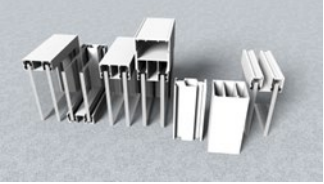
System 68 is QIC Partitions leading double glazed system which can accommodate various glass thickness to achieve enhanced acoustic performance.

This system offers excellent acoustic performance and enhanced line loading. System 68 creates a contemporary aesthetic in any environment.

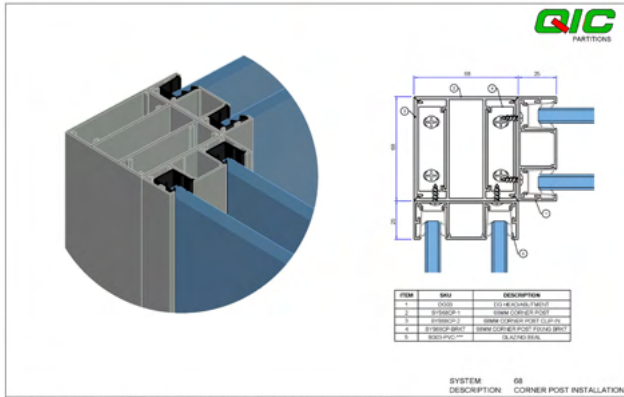
### System Specification

System 68 is a Double-Glazed system which accommodates glass up to 14.8mm with enhanced line loading capability. This system can also integrate with all QIC Partition systems both glazed and solid. There is an optional deflection head channel with built in tolerance of +/- 25mm. In addition, All sections are available in a wide range of colours and special finishes.

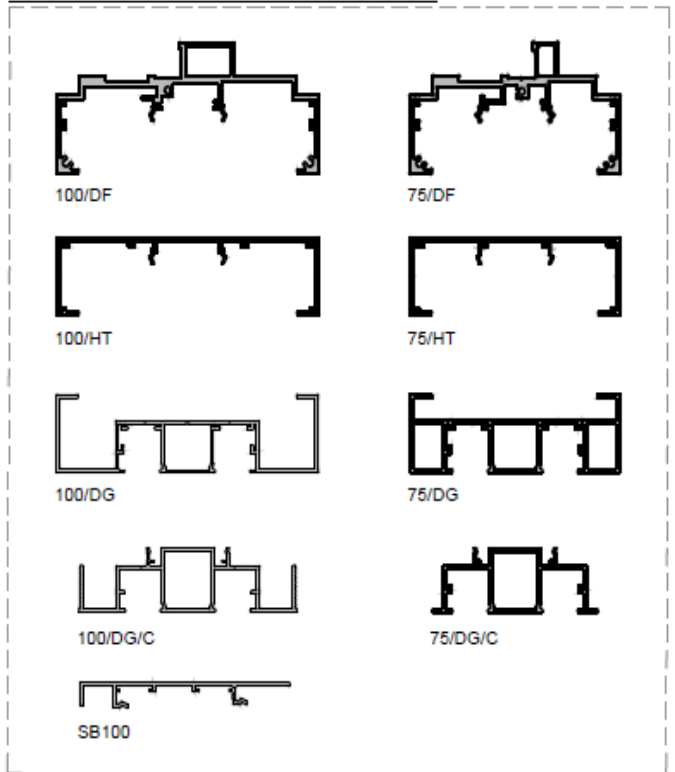




## Corner Post



## SOLID TRANSITION PROFILES



## GLAZING PROFILES

