



QIC Ls75 Aluminium Partition System Construction Details



Ls75

INSTALLATION GUIDE

CONTENTS

SECTION

1. Setting out
2. Head Channel
3. Base Section
4. Junction Posts
5. Solid modules
6. Half Glazed – Non-wrap Round Glazing
7. Half Glazed – Wrap Round Glazing
8. Solid/Glass/Solid – Non-wrap Round Glazing
9. Solid/Glass/Solid – Wrap Round Glazing
10. Full Height Glazed - Non-wrap Round Glazing
11. Full Height Glazed – Wrap Round Glazing
12. Door modules

To ensure that Ls 75 achieves its performance criteria in terms of integrity and stability it is imperative that the following methods of installation are followed and that all components supplied with the system are included in its construction.

1: Setting Out

1. Mark the partition layout on the ceiling using a chalk line then transfer the layout onto the floor and wall abutments using a plumb line.
2. Where door modules are located adjacent to three way junctions and corner posts, it is recommended that a small board infill is fitted to the post behind the door, this will allow the door to fully open through 90°.
3. If door frames are fitted directly into post sections then a floor mounted door stop may be fitted to prevent the door and door furniture from damaging the face of return walls when the doors are fully open.

2: Head Channel (LS301)

1. Before installation begins, consideration should be given to the layout with regard to the various head channel fitting options.
2. Where junction posts are used they should be cut to fit between the ceiling and floor with the head channel square cut and fitted up to either side. If junctions are to be constructed with plasterboard and trim sections then the head channel (LS301) should be mitred.
3. Cut the aluminium head channel (LS301) as required and taking a length of galvanised steel track (FT52) position it in the centre of aluminium channel. Using a 3mm drill bit, drill a number of holes along the length of the assembly and fix the track into place by pop riveting through the back of the channel.
4. Drill holes at 600 mm centres along the length of the section and using a suitable fixing for the substrate, fix the channel assembly to the ceiling. If fitting to a suspended ceiling, avoid fitting into the main runner if possible.

3. Base Section

1. Transfer the layout of the partition from the ceiling to the floor using a plumb/chalk line. Take lengths of galvanised steel track (FT52) and position along the floor line.
2. Cut a length of galvanised stud section (FS50) to length (floor to ceiling height less 10mm) and locate into one end of the track at the floor and head by means of a twisting motion. Where boxed studs are required offset the ends when fitting the sections together so that only single sections sit within the tracks.
3. Repeat the procedure with another stud positioned at the opposite end of the track / partition run. Manoeuvre both studs into the vertical position and plumb in both planes using a spirit level.
4. Mark the floor then fix the track to the floor at 600mm centres using a fixing suited to the site conditions. Cut further studs to size and position as described above at 600mm centres.
5. Fix studs in position at base only using either pop rivets or wafer head TEK screws, or by notching floor track either side of stud and folding track over.

4: Junction Posts. (LS330, 331, 333)

1. Once the head channel (LS301) is fixed, junction posts (LS330, 331,333) can be cut to suit the floor to ceiling height. Allowing for the thickness of the head channel and base detail, fix steel angle brackets to the open faces at both ends

2. Offer the post to the face of the head channel, clamp in position, drill pilot holes and secure using self-tapping screws.
3. Using a spirit level plumb the post in both planes and fix to the floor using appropriate fixings.

5: Solid Module Construction

1. Cut galvanised studs (FS50) to size and position at 600mm centres as described above. The basic framework is now ready to receive the boards. Do not fix the studs to the track (FT52) at this stage.
2. Cut the boards to the floor to ceiling height allowing a 6 mm tolerance and where fitted, start at the junction post end of the partition, offering the first board into the head channel.
3. Manoeuvre the board into place and position the stud so that half of the stud face is covered by the board edge. Check that the board edges are plumb and fix to the studs using 25mm drywall screws at 300mm centres. Ensure that screws are not positioned too close to the edge of the board as this is likely to cause the edge to crumble.
4. Providing the board has not been pre-decorated or the partition fire rated then it is recommended that the board is screwed to the centre stud. Take the next plasterboard and fit tightly against the fitted board. Continue fixing boards in a sequential manner to complete one side of the partition only.
5. When the system is fire rated, boards should be fitted in a staggered configuration to ensure that joints on either side of the partition do not coincide.
6. If insulation is required then should be fitted before boarding the other side of the partition. Glass wool insulation should be wedged at the head of the partition while mineral fibre insulation is wedged between studs.
7. It is important that at this stage consideration be given to any services that are to be included within the partition cavity. These must be located before the partition is "closed" by boarding the remaining side of the partition.

Square Edge Plasterboard with Aluminium Cover Trim (LS355).

8. Once boarding is completed, screw heads should be filled and sanded to allow for decoration. Once decoration is completed skirting sections are then fitted to the base of the partition.
9. Cut galvanised clamping strips to fit between the underside of the head channel and to the top of the skirting. Place over the centre of the board joints and fix at 300mm centres using 25mm drywall screws.
10. Cut aluminium cover trims (LS355) to length and place on to the clamping strip, securing into position with a hammer and timber block.

Tapered Edge Plasterboard with Filled Joints

11. Once boarding is completed, board joints and screw heads should be filled and sanded to allow for decoration. Once decoration is completed skirting sections are then fitted to the base of the partition.

6: Half Glazed Construction – Non-Wrap Round Glazing (LS315)

1. Where glazed modules occur adjacent to one another then stud sections (FS50) should be boxed. All studs are interlocking and when fitted together form a solid box section.
2. Determine the size and location of glazed frames from the partition layout and position the studs as required. Where glazing is fire rated a length of steel track (FT52) should be fitted within the head channel assembly to form a boxed section between the studs; softwood stud infills are not required.
3. Remove the pre-cut glazing sections from the pack and using the screws provided assemble the frame, ensuring that the fixings are not over tightened. If single glazing frames are to be fire rated then the central T (LS312) should be fitted at this point. Locate the assembled frame within the head channel (LS301) and push firmly onto the face of the boxed studs.
4. Take the 52mm pre-cut notched galvanised FT52 transom and insert into the bottom of the frame between the studs. Check that the studs and frame are level and fix in position using wafer head screws or pop rivets. Continue this process throughout the length of the glazing run.
5. Intermediate studs are now fitted beneath the transom in the centre of the module. Plasterboard panels beneath the glazing should be cut to size and screw fixed to the framework in the same manner as for solid panel construction.
6. Following the same procedure as for solid panel construction cover trims can now be fitted. Firstly, covering the upright joints of the glazing at the module centres and then fitting the trims to the horizontal joints.
7. For **non-fire rated single and double glazed construction** take the PVC glazing chair and square cut to fit horizontally at the top and base of the frame. Clip into position then measure, cut and fit the vertical sections in the same manner. Glazing beads are cut and fitted in the similar fashion
8. For **fire rated single glazing**, ensure that the central glazing 'T' (LS312) is in position; take the steel glazing beads (LS380), cut to size and screw fix into position using wafer head screws at 300mm centres. Cut the steel beads for the other side of the frame but do not fix at this stage.
9. Cut the PVC glazing beads to size fitting the horizontals first followed by the vertical beads. Once the glass is in position, fit the remaining steel beads followed by the PVC sections as before.
10. For **fire rated double glazing** firstly fit the aluminium glazing chair (LS313). Measure and square cut the horizontal section first and clip fit into the glazing section ensuring that the bead part of the section sits on the corridor side of the partition. Measure, cut and fit the vertical section in the same manner. Cut the steel glazing bead (LS380) as for single glazing. Take the PVC FR glazing chair (LS382) and double glazing bead and square cut the sections as for non-fire rated installations.
11. Fit the fire rated glass into the aperture and secure in place with the steel glazing bead screw fixed with wafer head screws at 300mm centres. Clip the PVC glazing chair in place and fit the remaining glass into the frame, securing by fitting the PVC glazing bead.

7: Half Glazed Construction – Wrap Round Glazing (LS311)

1. Follow the instructions for non-wrap round glazing 6.1 to 6.5.

2. Plasterboard fillets are then fitted to the face of the studs on vertical mullions between frames. Clamping strip can now be cut and fixed between the head channel and skirting as before. Using the aluminium cover strip (LS350) cut to length and place on to the clamping strip, securing into position with a hammer and timber block.
3. Fit glazing chair and bead sections as described in section 6.7 to 6.11

8: Solid/Glass/Solid Construction – Non-wrap Round Glazing (LS315)

- 1 Follow the instructions for non-wrap round glazing described in section 6.1 to 6.3. Take the 52mm pre-cut notched galvanised transom and if required position it for the glazed assembly to line through with the top of the door frame. Fix to the face of the studs ensuring that it is level.
- 2 Remove the pre-cut glazing sections from the pack and using the screws provided assemble the frame, ensuring that fixings are not over tightened. If single glazing frames are to be fire rated then the central glazing 'T' (LS312) should be fitted at this point. Locate the assembled frame on to the underside of the transom push firmly onto the face of the boxed studs. Take the 52mm pre-cut notched galvanised transom (LS316) and insert into the bottom of the frame between the studs. Check that the studs and frame are level and fix in position using wafer head screws or pop rivets. Continue this process throughout the length of the glazing run.
- 3 Intermediate studs are now fitted beneath the transom in the centre of the module. Plasterboard panels above and beneath the glazing should be cut to size and screw fixed to the framework in the same manner as for solid panel construction.
- 4 Following the same procedure as for solid panel construction cover trims (LS355) can now be fitted. Firstly covering the upright joints of the glazing at the module centres and then fitting the trims to the horizontal joints.

9: Solid/Glass/Solid Construction – Wrap Round Glazing (LS311)

- 1 Follow the instructions for non-wrap round glazing described in section 10.1.
- 2 Remove the pre-cut glazing sections from the pack and using the screws provided assemble the frame, ensuring that fixings are not over tightened. If single glazing frames are to be fire rated then the central glazing 'T' should be fitted at this point. Locate the assembled frame on to the underside of the transom and push firmly onto the face of the boxed studs. Take the 52mm pre-cut notched galvanised FT52 transom and insert into the bottom of the frame between the studs. Check that the studs and frame are level and fix in position using wafer head screws or pop rivets. Plasterboard/MDF fillets are then fitted to the face of the studs on vertical mullions between frames. Continue this process throughout the length of the glazing run.
- 3 Intermediate studs are now fitted beneath the transom in the centre of the module. Plasterboard panels above and beneath the glazing should be cut to size and screw fixed to the framework in the same manner as for solid panel construction.
- 4 Once the skirting section is fitted clamping strips can be fixed to the vertical joints and LS350 cover trims fitted as described previously.

10: Full Height Glazed Construction – Non-wrap Round Glazing (LS315)

1. Follow the instructions for non-wrap round glazing described in section 6.1 to 6.3. Take the 52mm pre-cut notched galvanised FT52 transom and insert into the bottom of the frame between the studs. Check that the studs and frame are level and fix in position

using wafer head screws or pop rivets. In order to support full height frames two small sections of stud 97mm long should be positioned beneath the transom equally spaced between the uprights. Continue this process throughout the length of the glazing run.

2. Plasterboard strips should now be fitted to the base of the partition beneath the glazing frame. Once the skirting has been fitted, clamping and cover strips (LS355) should be fitted as described in section 5.9 to 5.11.
3. Fit glazing chair and bead sections as described in section 6.7 to 6.11

11: Full Height Glazed Construction – Wrap Round Glazing (LS311)

1. Follow the instructions for non-wrap round glazing described in section 6.1 to 6.3. Take the 52mm pre-cut notched galvanised transom and insert into the bottom of the frame between the studs. Check that the studs and frame are level and fix in position using wafer head screws or pop rivets. In order to support full height frames two small sections of stud 97mm long should be positioned beneath the transom equally spaced between the uprights. Continue this process throughout the length of the glazing run.
2. Plasterboard/MDF strips should now be fitted to the base of the partition beneath the glazing frame and Similar fillets fitted to the face of the studs on vertical mullions between frames
3. Once the skirting has been fitted, clamping and cover strips (LS350) should be fitted as described in section 5.9 to 5.11.
4. Fit glazing chair and bead sections as described in section 6.7 to 6.11

12: Door Modules (LS320)

1. Once the position of the door frame has been established, ensure that the floor track (FT52) finishes where the boxed stud is to be fitted. Box two (FS50) studs together, offsetting the ends so that single sections sit within the tracks. Insert timber stud infills into the boxed studs along the full length and remove any surplus material.
2. From the partition layout determine the lock side of the door frame; mark and notch out a section of the stud and timber infill to accept the lock box once the frame is fitted
3. Take one stud and clip it between the head and base steel channels. Before fitting the boxed stud to the other side of the opening, prepare a length of track and use the pre-notched transom to set the opening. Roughly alignment the track and clip the boxed stud into position.
4. Check that the first stud is level in both planes and fix the track to the floor using appropriate fixings for site conditions. Fix the stud through the face of the track using wafer head screws on both sides. Take the pre-notched transom and accurately space the other stud and once level in both planes fix the track to the floor and secure the stud as described above.
5. Using the setting out details supplied, position the pre-notched FT52 transom at the correct height and fix in place using wafer head screws at both ends and on both faces. Ensure that allowance has been made for the depth of floor covering if applicable.
6. For single skin partitions face both sides of the partition with 12.5mm plasterboard ensuring that the board is set back from the edge of the opening by 10mm to allow room for the fitting of the frame section.

- 7 For double skin partitions face both sides of the partition with a single skin of 12.5mm plasterboard. Fix the second skin in place ensuring that the board is set back by 10mm from the edge of the opening to allow room for the fitting of the frame section
- 8 For partitions incorporating glazing above or to the side, fit the window sections prior to the installation of the frame.
- 9 Carefully open the frame pack and remove the components. Hinges (LS1221), door head cleats (LS1226), lock box (LS1222) and screws are contained within a boxed fixing kit.
- 10 Fit the steel cleats into the ends of the pre-mitred door head and set to one side
- 11 Universal frame legs are mitred at both ends; refer to the partition layout and decide on the handing of the door. Measure the door height and allowing sufficient tolerance for floor coverings and fitting. Mark the sections and remove the mitre from one end of both door legs.

Offer the door head into the prepared opening; take one of the door legs and locate onto the cleats within the door head. Carefully lever the section into place until it fits flush with the door stud and wraps over the plasterboard. Repeat for the other door leg. Adjust the position of the head and legs making sure that the mitres are tightly closed, check that all three are level and plumb and fix to the studs through the pre-drilled holes using the 38 x 4mm self-tapping screws provided within the frame pack.
- 12 Take the hinges from the frame pack and slot into position within the recesses machined in the edge of the frame. Secure in place using the machine screw provided.
- 13 Take the lock box from the frame pack and fit into the recess prepared on the latch leg of the frame. Fix in place with two screws.
- 14 Do not fit the door seal until the door has been fitted. Should the frame need to be adjusted once the door is in place, the seal will need to be removed to gain access to the frame fixings.

Door Installation

- 1 Position the door within the frame leaving a 3mm gap at the head and on both sides of the frame. Ensure that the gap at the base is adequate to allow the door to operate normally allowing for any floor coverings.
- 2 Using a sharp knife mark the position of the hinges on the edge of the door.
- 3 Remove the machine screws holding the hinges within the door frame and using them and a sharp knife mark the outline of the hinges on the door lipping.
- 4 Cut out the hinge recess and pre drill pilot holes for the wood screws provided within the door frame pack.
- 5 Take the hinges, and secure them within the door frame. Using appropriate wedges offer the door up to the frame and locate the top hinge into the recess in the door edge and fix using the 30mm woodscrews provided. Repeat the process for the bottom hinge. If a third or fourth hinge has been supplied with the frame, fix these once the top and bottom hinges are firmly secured.
- 6 Ensure that the door operates correctly and that the 3mm gaps around the frame remain. Adjust the frame if necessary and once completed check that all fixings are secure and fit the door seal within the recess in the door stop.

- 7 Fit the ironmongery to the door and close to check that the door operates correctly adjusting if necessary.

QIC 75 - Setting Out Drawings

Drg N° Title

01	75mm Solid Module: Elevation
02	75mm Solid Module: Plan View
03	75mm Solid Module: Horizontal Joint - Elevation
04	75mm Door Module - Solid Above: Elevation
05	75mm Door Solid Module: Plan View
06	75mm Non Wrap Round Single Glazing / Solid Module: Plan View
07	75mm Non Wrap Round single Glazing 30 min Fire Rated /Solid Module: Plan View
08	75mm Wrap Round Single Glazing / Solid Module: Plan View
09	75mm Wrap Round Single Glazing 30 Min Fire Rated /Solid Module: Plan View
10	75mm Non-Wrap Round Double Glazing / Solid Module: Plan View
11	75mm Non Wrap Round Double Glazing 30 Min Fire Rated / Solid Module: Plan View
12	75mm Wrap Round Double Glazing / Solid Module: Plan View
13	75mm Wrap Round 30 Min Fire Rated Double Glazing / Solid Module: Plan View
14	75mm Full Height Non-Wrap Round Single Glazing: Elevation
15	75mm Full Height Non Wrap Round Single Glazing 30 Min Fire Rated: Elevation
16	75mm Full Height Non-Wrap Round Double Glazing: Elevation
17	75mm Full Height Non-Wrap Round Double Glazing 30 Min Fire Rated: Elevation
18	75mm Full Height Wrap Round Single Glazing: Elevation
19	75mm Full Height Wrap Round Single Glazing 30 Min Fire Rated: Elevation
20	75mm Full Height Wrap Round Single Glazing: Elevation
21	75mm Full Height Wrap Round Double Glazing 30 Min Fire Rated: Elevation
22	75mm Non-Wrap Round Single Glazing Solid/Glazed/Solid : Elevation
23	75mm Non-Wrap Round Single Glazing Solid/Glazed/Solid 30 Min Fire Rated: Elevation
24	75mm Non-Wrap Round Double Glazing Solid/Glazed/Solid : Elevation
25	75mm Non-Wrap Round Double Glazing Solid/Glazed/Solid 30 Min Fire Rated: Elevation
26	75mm Wrap Round Single Glazing Solid/Glazed/Solid : Elevation
27	75mm Wrap Round Single Glazing Solid/Glazed/Solid 30 Min Fire Rated: Elevation
28	75mm Wrap Round Double Glazing Solid/Glazed/Solid : Elevation
29	75mm Wrap Round Double Glazing Solid/Glazed/Solid 30 Min Fire Rated: Elevation
30	75mm Non-Wrap Round Single Glazing - Glazed to Door Head: Elevation
31	75mm Non-Wrap Round Single Glazing - Glazed to Door Head 30 Min Fire Rated: Elevation
32	75mm Non-Wrap Round Double Glazing - Glazed to Door Head: Elevation
33	75mm Non-Wrap Round Double Glazing - Glazed to Door Head 30 Min Fire Rated: Elevation
34	75mm Wrap Round Single Glazing Glazed to Door Head : Elevation
35	75mm Wrap Round Single Glazing Glazed to Door Head 30 Min Fire Rated : Elevation
36	75mm Wrap Round Double Glazing Glazed to Door Head : Elevation
37	75mm Wrap Round Double Glazing Glazed to Door Head 30 Min Fire Rated : Elevation
38	75mm Single Door Frame - Non Wrap Round Single Glazing Above: Elevation
39	75mm Single Door Frame - Non Wrap Round Single Glazing Above 30 Min Fire Rated: Elevation
40	75mm Single Door Frame - Non Wrap Round Double Glazing Above: Elevation
41	75mm Single Door Frame - Non Wrap Round Double Glazing Above 30 Min Fire Rated: Elevation
42	75mm Single Door Frame - Wrap Round Single Glazing: Elevation
43	75mm Single Door Frame - Wrap Round Single Glazing 30 Min Fire Rated: Elevation
44	75mm Single Door Frame - Wrap Round Double Glazing: Elevation
45	75mm Single Door Frame - Non Wrap Round Double Glazing 30 Min Fire Rated : Elevation
46	75mm Single Full Height Door Frame : Elevation
47	75mm Single Full Height Door Frame : Elevation Option
49	75mm 135° Corner Post Detail Solid / Solid- Plan
50	75mm 135° Corner Post Detail Solid / Non Wrap Round Single Glazing - Plan
51	75mm 135° Corner Post Detail Solid / Non Wrap Round Single Glazing 30 Min Fire Rated - Plan
52	75mm 135° Corner Post Detail Solid / Wrap Round Single Glazing - Plan
53	75mm 135° Corner Post Detail Solid / Wrap Round Single Glazing 30 Min Fire Rated - Plan
54	75mm 135° Corner Post Detail Solid / Wrap Round Double Glazing - Plan
55	75mm 135° Corner Post Detail Solid / Wrap Round Double Glazing 30 Min Fire Rated - Plan
56	75mm 135° Corner Post Detail Solid / Door Frame - Plan
57	75mm 135° Corner Post Detail Door Frame / Non Wrap Round Single Glazing - Plan
58	75mm 90° Corner Solid/Solid - Plan View
59	75mm 90° Corner Post Detail Solid / Solid- Plan
60	75mm 90° Corner Post Detail Solid / Non Wrap Round Single Glazing - Plan
61	75mm 90° Corner Post Detail Solid / Non Wrap Round Single Glazing 30 Min Fire Rated - Plan
62	75mm 90° Corner Post Detail Solid / Wrap Round Single Glazing - Plan
63	75mm 90° Corner Post Detail Solid / Wrap Round Single Glazing 30 Min Fire Rated - Plan 75mm
64	90° Corner Post Detail Solid / Wrap Round Double Glazing - Plan
65	75mm 135° Corner Post Detail Solid / Wrap Round Double Glazing 30 Min Fire Rated - Plan
66	75mm 90° Corner Post Detail Solid / Door Frame - Plan
67	75mm 90° Corner Post Detail Door Frame / Non Wrap Round Single Glazing - Plan
68	75mm 'Y' Junction Detail Solid / Door Frame - Plan
69	75mm 3 Way Post Detail Solid / Non Wrap Round Single Glazing / Door Frame - Plan
70	75mm 3 Way Post Detail Solid / Non Wrap Round Double Glazing / Door Frame - Plan
71	75mm Wrap Round SG/Solid Module: Plan View c/w End Capping Section



QIC Trims UK Ltd
Radclyffe Road,
Buckingham MK18 4BL
T: +44 (0) 1280 818 950
E: sales@qic-trims.com



QIC Trims UK Ltd
COPYRIGHT | 2023

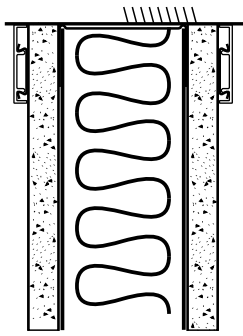
Copyright in this drawing belongs to QIC Trims UK Ltd.
Neither the whole drawing or part thereof may be reproduced
without the prior permission in writing of QIC Trims UK Ltd.

Date: 15/12/13

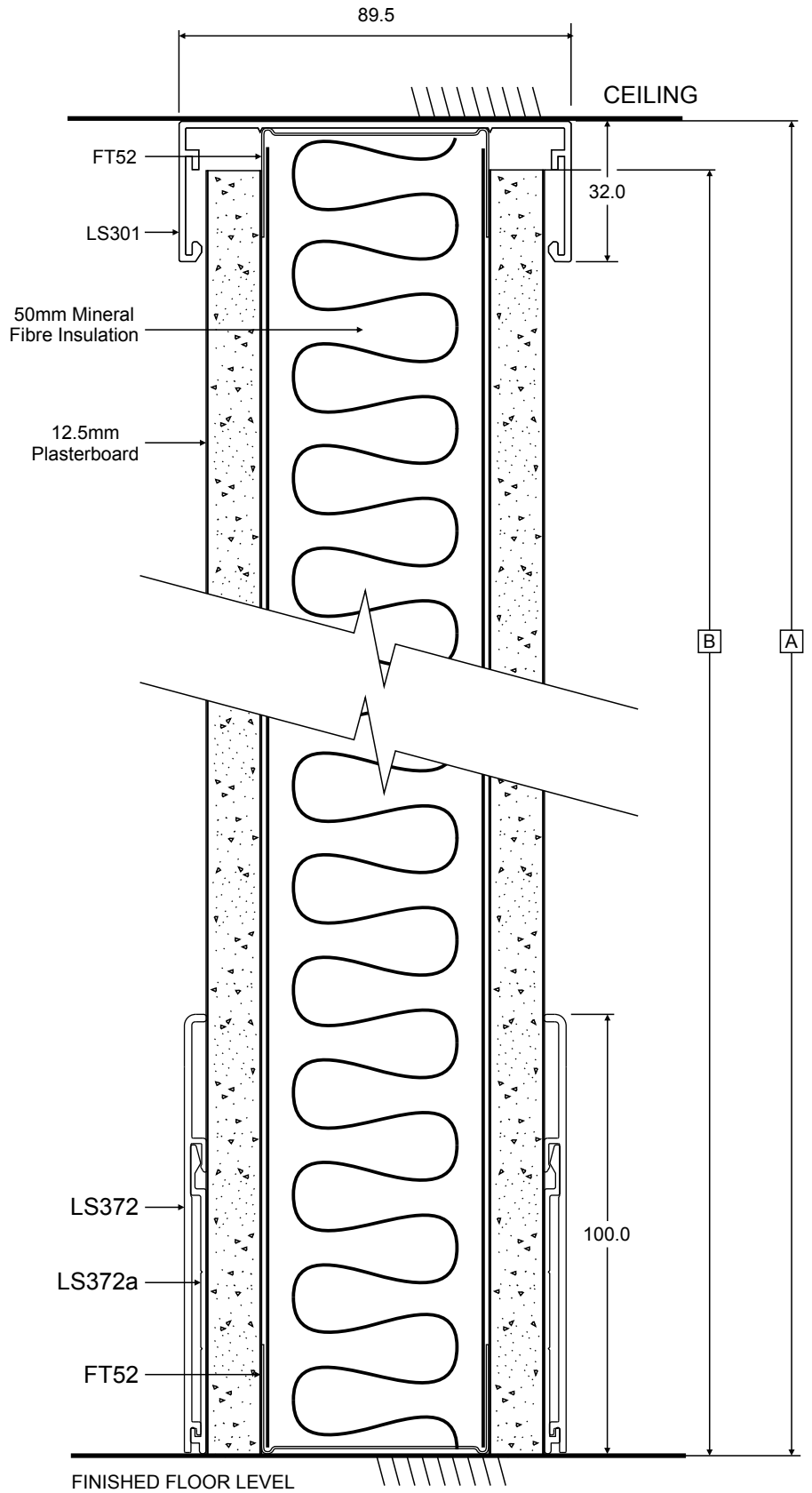
QIC 75

Drawing No:

Optional Detailing



LS351 Head/Abutment Trim



Dimension A = Floor to Ceiling Height
Dimension B = Dim A - 10mm

All dimensions are in mm and are nominal

 LS301: 75mm Head Channel
 LS372: 100mm Skirting
 LS372: Skirting Clip
 FT52: 52mm Track



QIC Trims UK Ltd
 Radclive Road,
 Buckingham MK18 4BL
 T: +44 (0) 1280 818 950
 E: sales@qic-trims.com



QIC Trims UK Ltd
COPYRIGHT | 2023

Copyright in this drawing belongs to QIC Trims UK Ltd.
 Neither the whole drawing or part thereof may be reproduced
 without the prior permission in writing of QIC Trims UK Ltd.

Date: 15/12/13

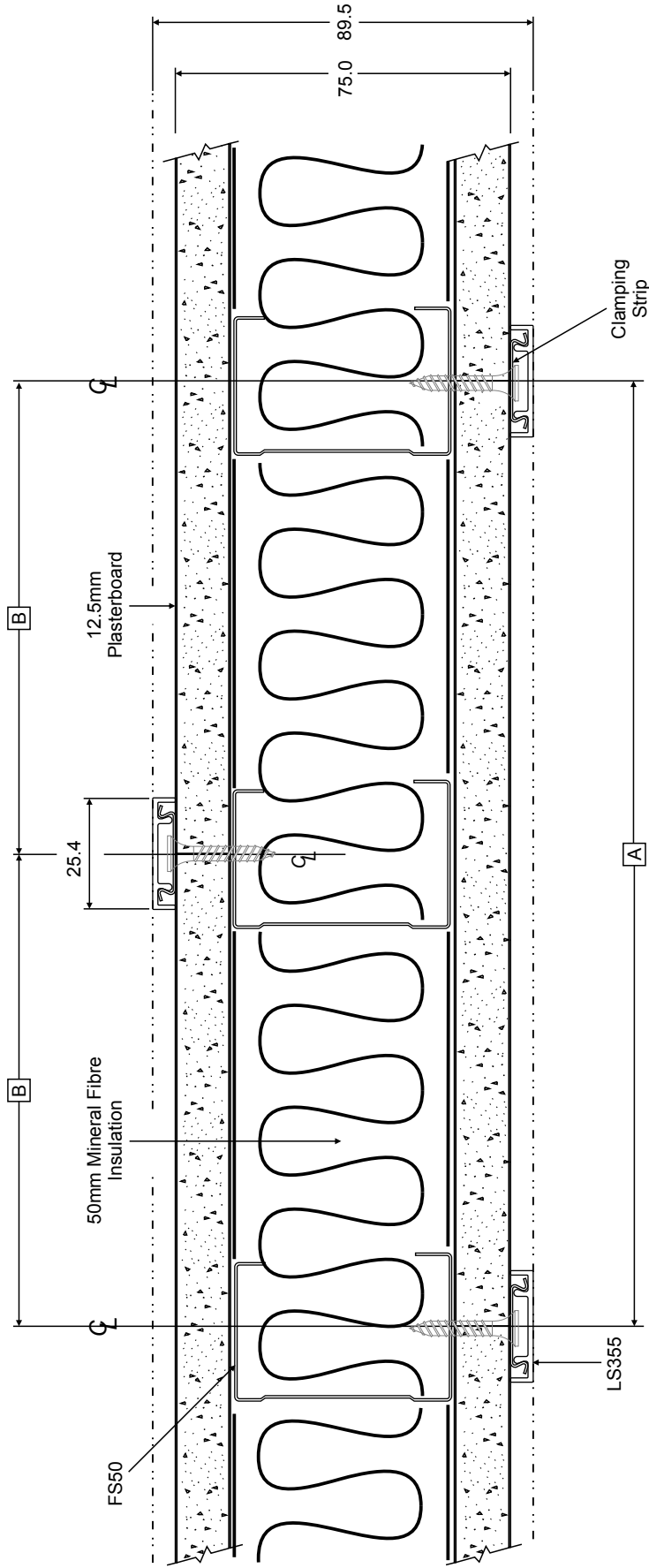
QIC 75

Drawing No:

13-0300-01

Title:

: 75mm Solid Module: Elevation



Dimension A = 1200mm
Dimension B = 600mm

Standard construction: Studs to be positioned at 600mm centres or less

All dimensions are in mm and are nominal

Line of Skirting - - - - -

LS355: NWR Cover Trim Clamping Strip FS50: 50mm Stud



QIC Trims UK Ltd
 Radclive Road,
 Buckingham MK18 4BL
 T: +44 (0) 1280 818 950
 E: sales@qic-trims.com



QIC Trims UK Ltd
COPYRIGHT | 2023

Copyright in this drawing belongs to QIC Trims UK Ltd.
 Neither the whole drawing or part thereof may be reproduced
 without the prior permission in writing of QIC Trims UK Ltd.

Date: 15/12/13

QIC 75

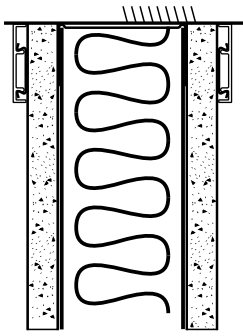
Drawing No:

13-0300-02

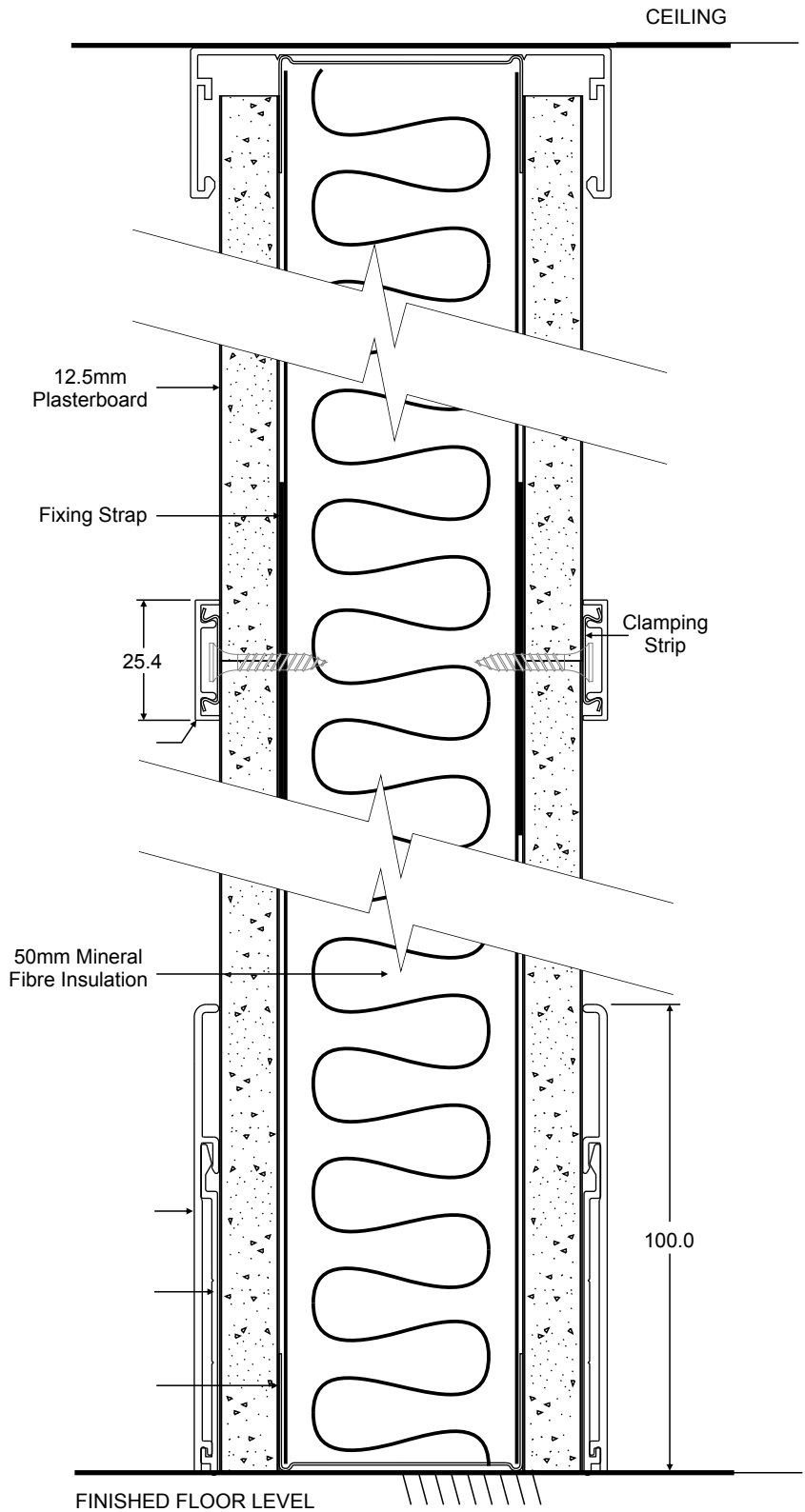
Title:

75mm Solid Module: Plan View

Optional Detailing



Head/Abutment Trim



- 75mm Head Channel
- 100mm Skirting
- Skirting Clip
- 52mm Track
- NWR Cover Trim
- Clamping Strip



QIC Trims UK Ltd
 Radclive Road,
 Buckingham MK18 4BL
 T: +44 (0) 1280 818 950
 E: sales@qic-trims.com



QIC Trims UK Ltd
COPYRIGHT | 2023

Copyright in this drawing belongs to QIC Trims UK Ltd.
 Neither the whole drawing or part thereof may be reproduced
 without the prior permission in writing of QIC Trims UK Ltd.

Date: 15/12/13

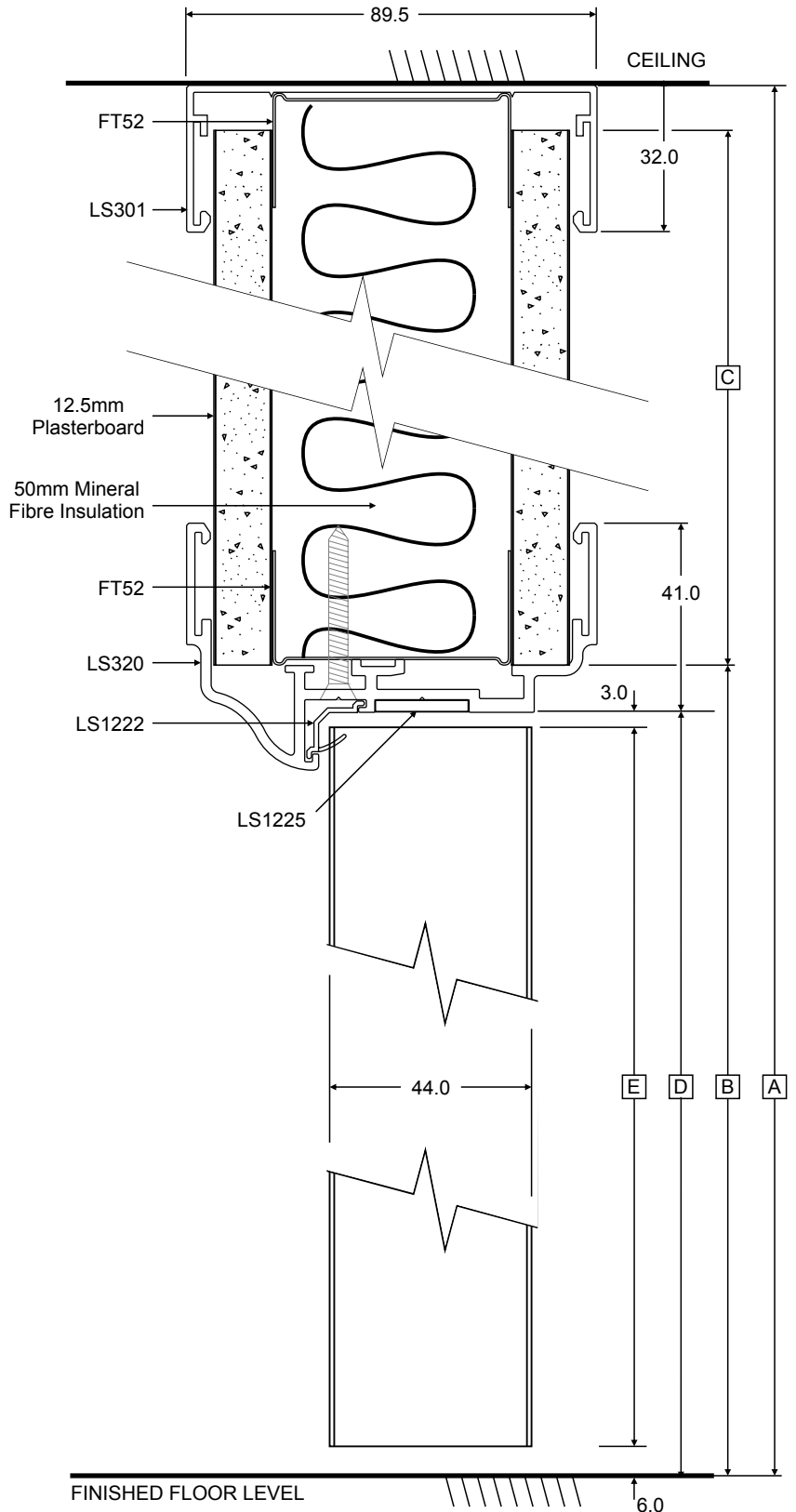
QIC Ls75

Drawing No:

13-0300-03

Title:

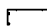
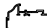
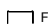
75mm Solid Module: Horizontal Joint - Elevation



Dimension A = Floor to Ceiling Height
Dimension B = Dim E (Door Height) + 19mm
Dimension C = Dim A - Dim D - 29mm
Dimension D = Dim E + 9mm
Dimension E = Door Height

All dimensions are in mm and are nominal

Note: FD30 minute fire rated door assemblies must be fitted with Intumescent Strip (LS1225) and a suitable door closer.

 LS301: 75mm Head Channel
  LS320: 75mm Door Frame
  FT52: 52mm Track



QIC Trims UK Ltd
 Radclive Road,
 Buckingham MK18 4BL
 T: +44 (0) 1280 818 950
 E: sales@qic-trims.com



QIC Trims UK Ltd
COPYRIGHT | 2023

Copyright in this drawing belongs to QIC Trims UK Ltd.
 Neither the whole drawing or part thereof may be reproduced
 without the prior permission in writing of QIC Trims UK Ltd.

Date: 15/12/13

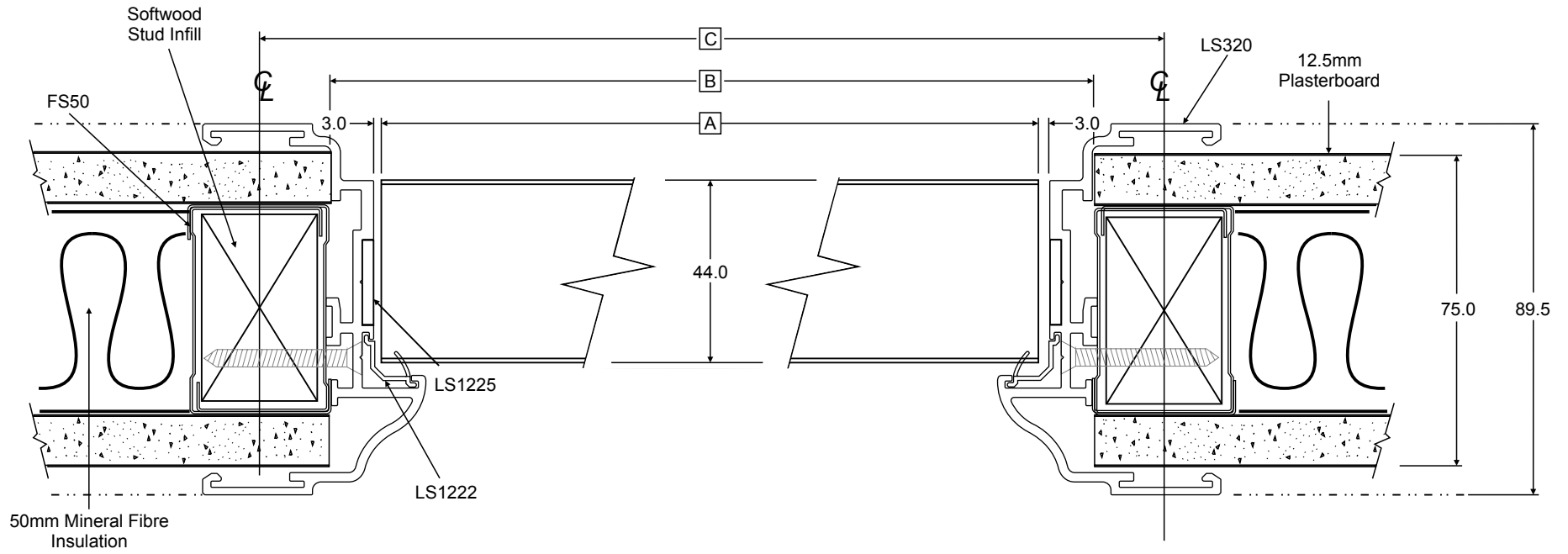
QIC 75

Drawing No:

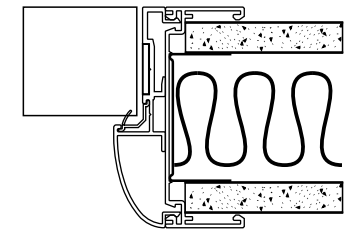
13-0300-04

Title:

75mm Door Module - Solid Above: Elevation



Optional Detailing

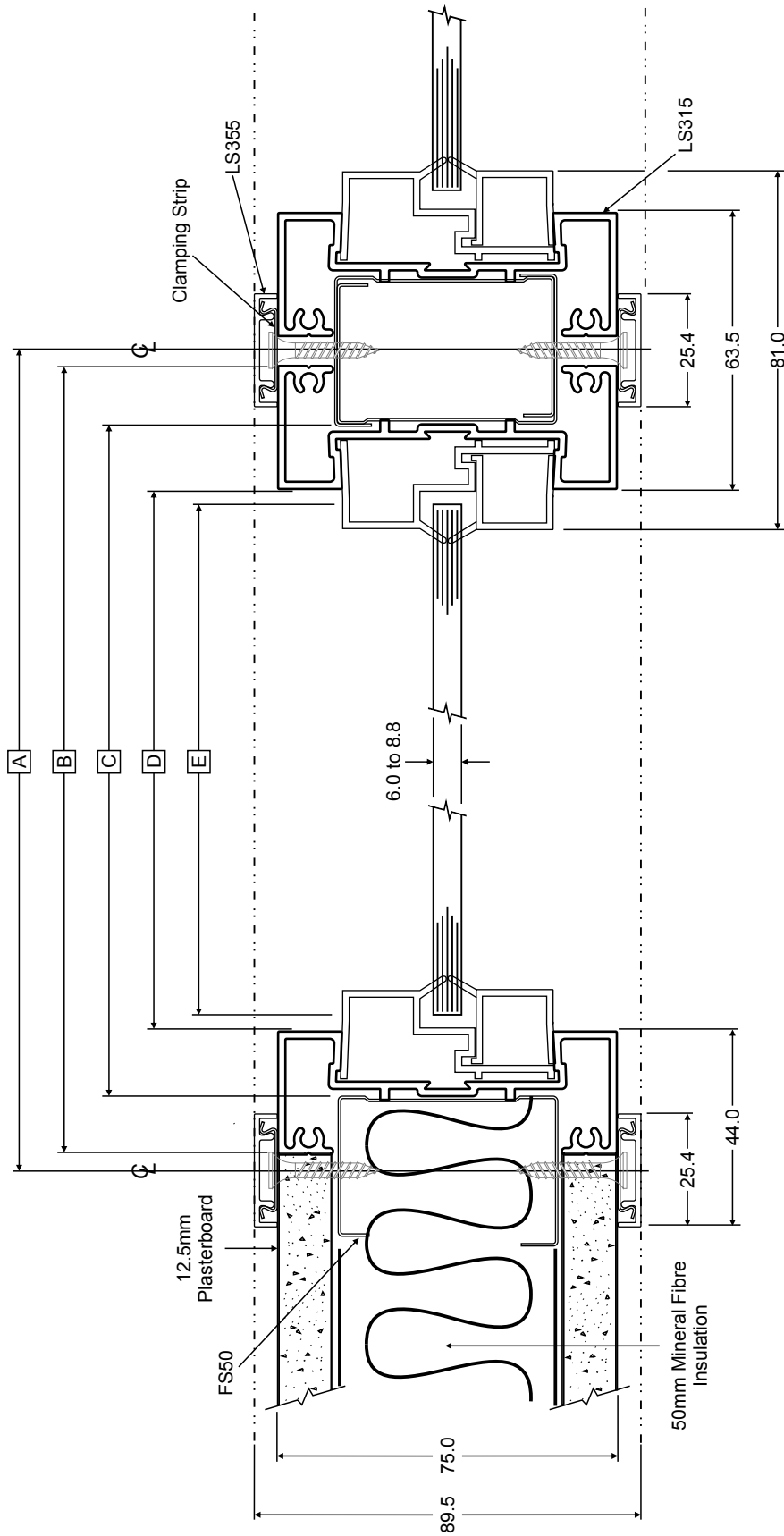


LS201/220 Radius Door Frame

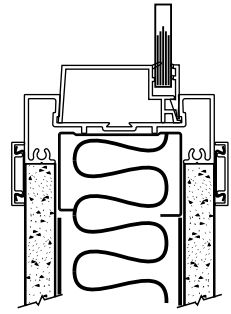
Dimension A = Door Width
Dimension B = A + 26.5mm
Dimension C = A + 61.0mm

All dimensions are in mm and are nominal

NOTE: FD30 minute fire rated door assemblies must be fitted with Intumescent Strip (LS1225) and a suitable door closer.



Optional Detailing



Offset Glazing Chair & Bead

- Dimension A** = Dim B + 7.5mm (Centre to Centre)
- Dimension B** = External frame dimension
- Dimension C** = Dim B - 26mm
- Dimension D** = Dim B - 56mm (Glazing Aperture)
- Dimension E** = Dim B - 62mm (Actual Glass Size)

All dimensions are in mm and are nominal.
All glass must conform to BS6262 and guidance provided in Building Regulations Document 'N'

Line of Skirting - - - - -

LS315: NWR Square Glazing
 FS50: 50mm Stud
 LS355: NWR Cover Trim
 Clamping Strip
 Single Glazing Chair
 Single Glazing Bead



QIC Trims UK Ltd
 Radclive Road,
 Buckingham MK18 4BL
 T: +44 (0) 1280 818 950
 E: sales@qic-trims.com

© **QIC Trims UK Ltd**
COPYRIGHT | 2023

Copyright in this drawing belongs to QIC Trims UK Ltd.
 Neither the whole drawing or part thereof may be reproduced
 without the prior permission in writing of QIC Trims UK Ltd.

Date: 15/12/13

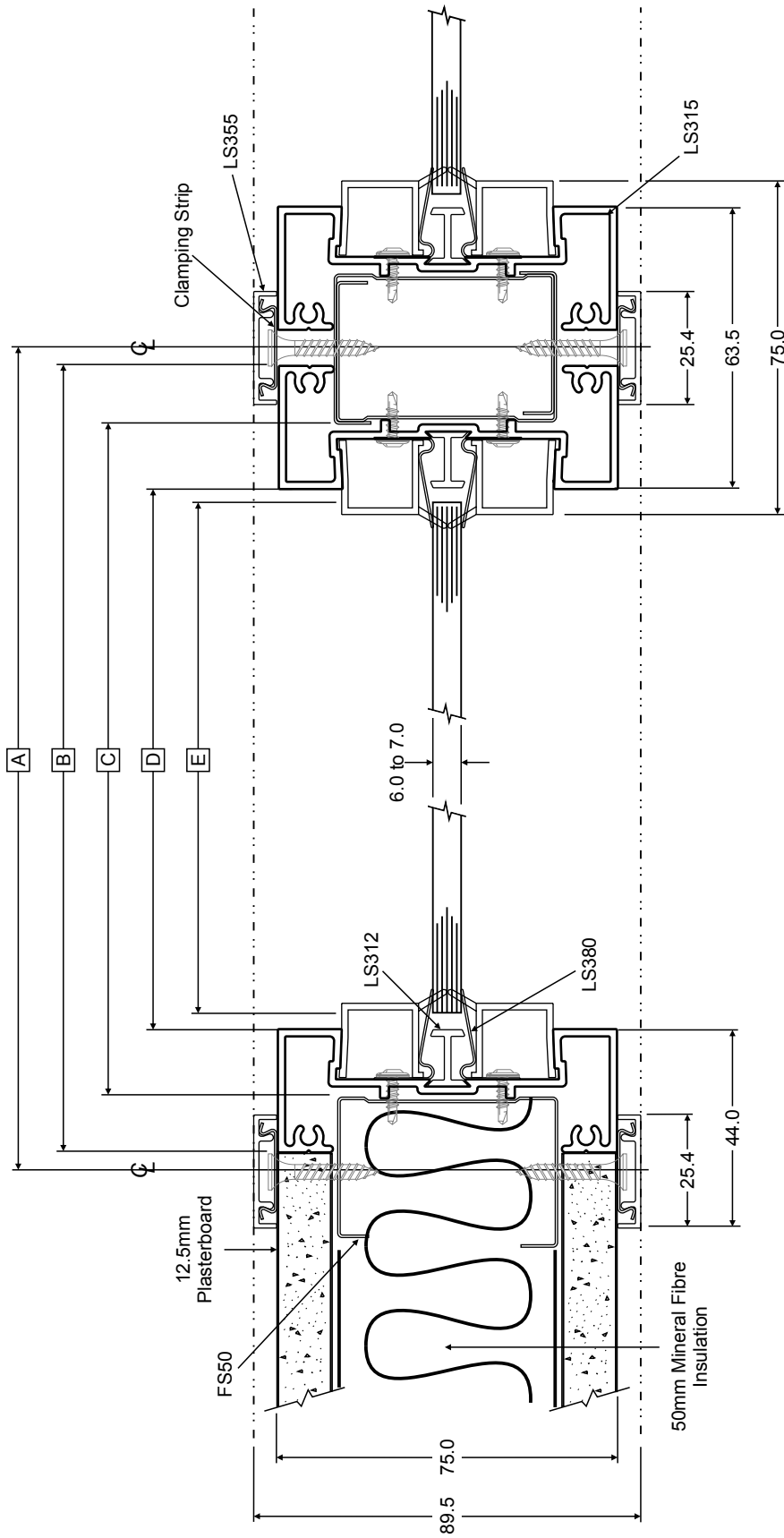
QIC 75

Drawing No:

13-0300-06

Title:

75mm Non Wrap Round Single Glazing /Solid Module: Plan View



- Dimension A** = Dim B + 7.5mm (Centre to Centre)
- Dimension B** = External frame dimension
- Dimension C** = Dim B - 26mm
- Dimension D** = Dim B - 56mm (Glazing Aperture)
- Dimension E** = Dim B - 62mm (Actual Glass Size)

All dimensions are in mm and are nominal.
 All glass must conform to BS6262 and guidance provided in Building Regulations Document 'N'

Line of Skirting - - - - -

 LS315: NWR Square Glazing
 FS50: 50mm Stud
 LS355: NWR Cover Trim
 Clamping Strip
 Single Glazing Bead
 LS380: Steel Glazing Bead
 LS312: SG FR Glazing Trim



QIC Trims UK Ltd
 Radclive Road,
 Buckingham MK18 4BL
 T: +44 (0) 1280 818 950
 E: sales@qic-trims.com

© **QIC Trims UK Ltd**
COPYRIGHT | 2023

Copyright in this drawing belongs to QIC Trims UK Ltd.
 Neither the whole drawing or part thereof may be reproduced
 without the prior permission in writing of QIC Trims UK Ltd.

Date: 15/12/13

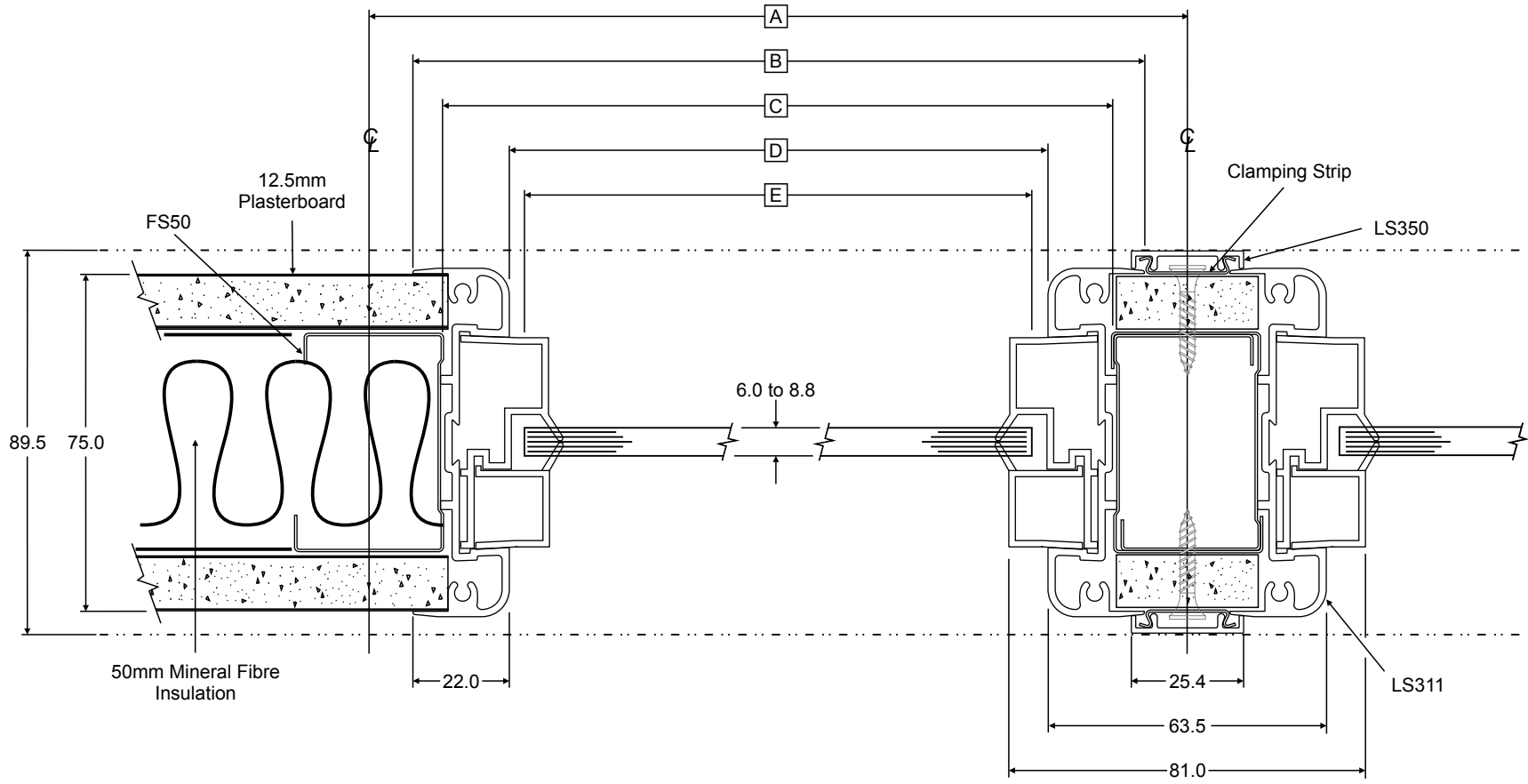
QIC 75

Drawing No:

13-0300-07

Title:

75mm Non Wrap Round Single Glazing 30 min Fire Rated/Solid Module: Plan View

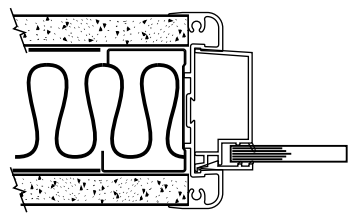


- Dimension A** = Dim B + 20mm (Centre to Centre)
- Dimension B** = External frame dimension
- Dimension C** = Dim B - 13.5mm
- Dimension D** = Dim B - 44mm (Glazing Aperture)
- Dimension E** = Dim B - 50mm (Actual Glass Size)

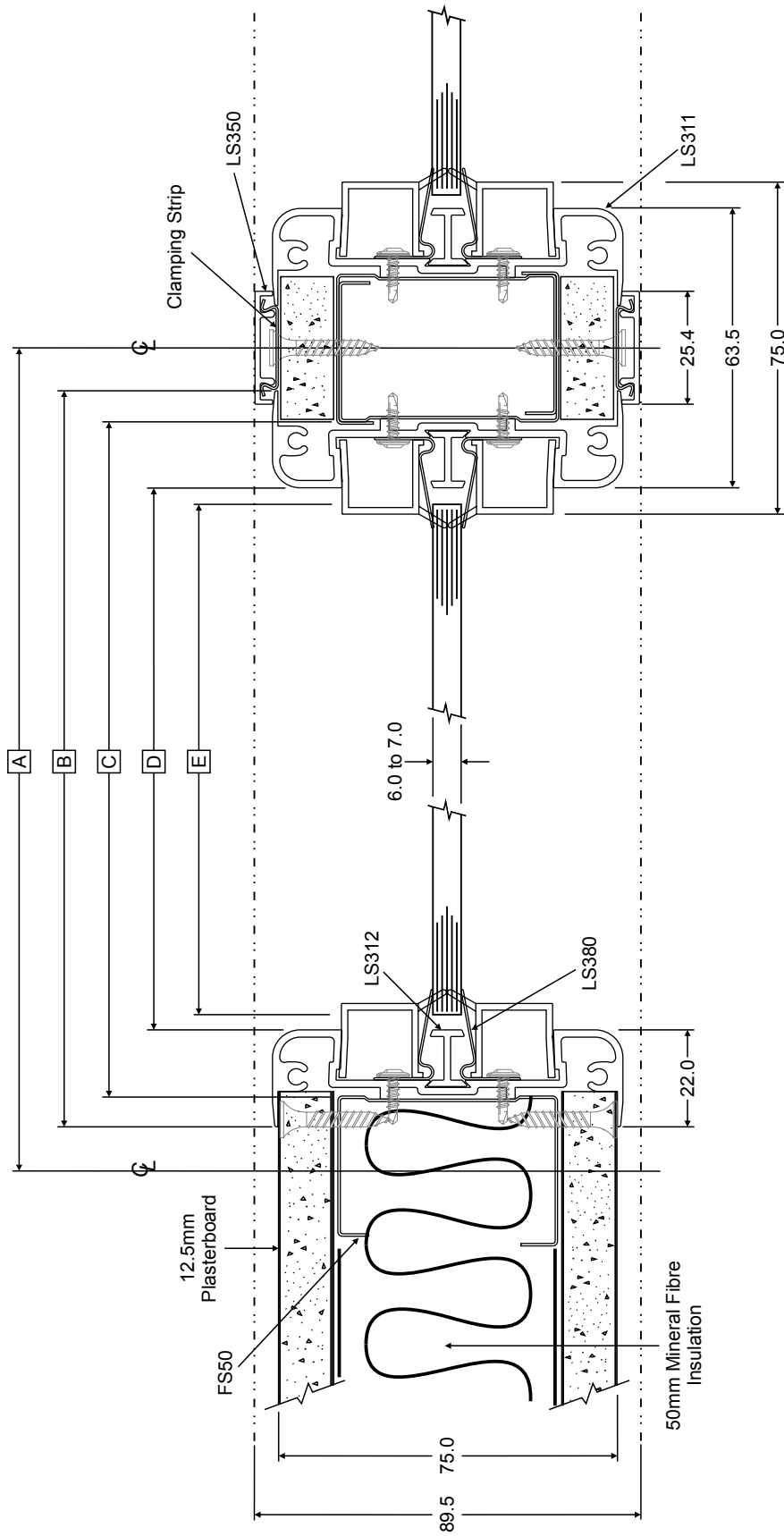
All dimensions are in mm and are nominal.
 All glass must conform to BS6262 and guidance provided in Building Regulations Document 'N'

Line of Skirting -

Optional Detailing



Offset Glazing Chair & Bead



- Dimension A** = Dim B + 20mm (Centre to Centre)
- Dimension B** = External frame dimension
- Dimension C** = Dim B - 13.5mm
- Dimension D** = Dim B - 44mm (Glazing Aperture)
- Dimension E** = Dim B - 50mm (Actual Glass Size)

All dimensions are in mm and are nominal.
All glass must conform to BS6262 and guidance provided in Building Regulations Document 'N'

Line of Skirting - - - - -



QIC Trims UK Ltd
 Radclive Road,
 Buckingham MK18 4BL
 T: +44 (0) 1280 818 950
 E: sales@qic-trims.com



QIC Trims UK Ltd
COPYRIGHT | 2023

Copyright in this drawing belongs to QIC Trims UK Ltd.
 Neither the whole drawing or part thereof may be reproduced
 without the prior permission in writing of QIC Trims UK Ltd.

Date: 15/12/13

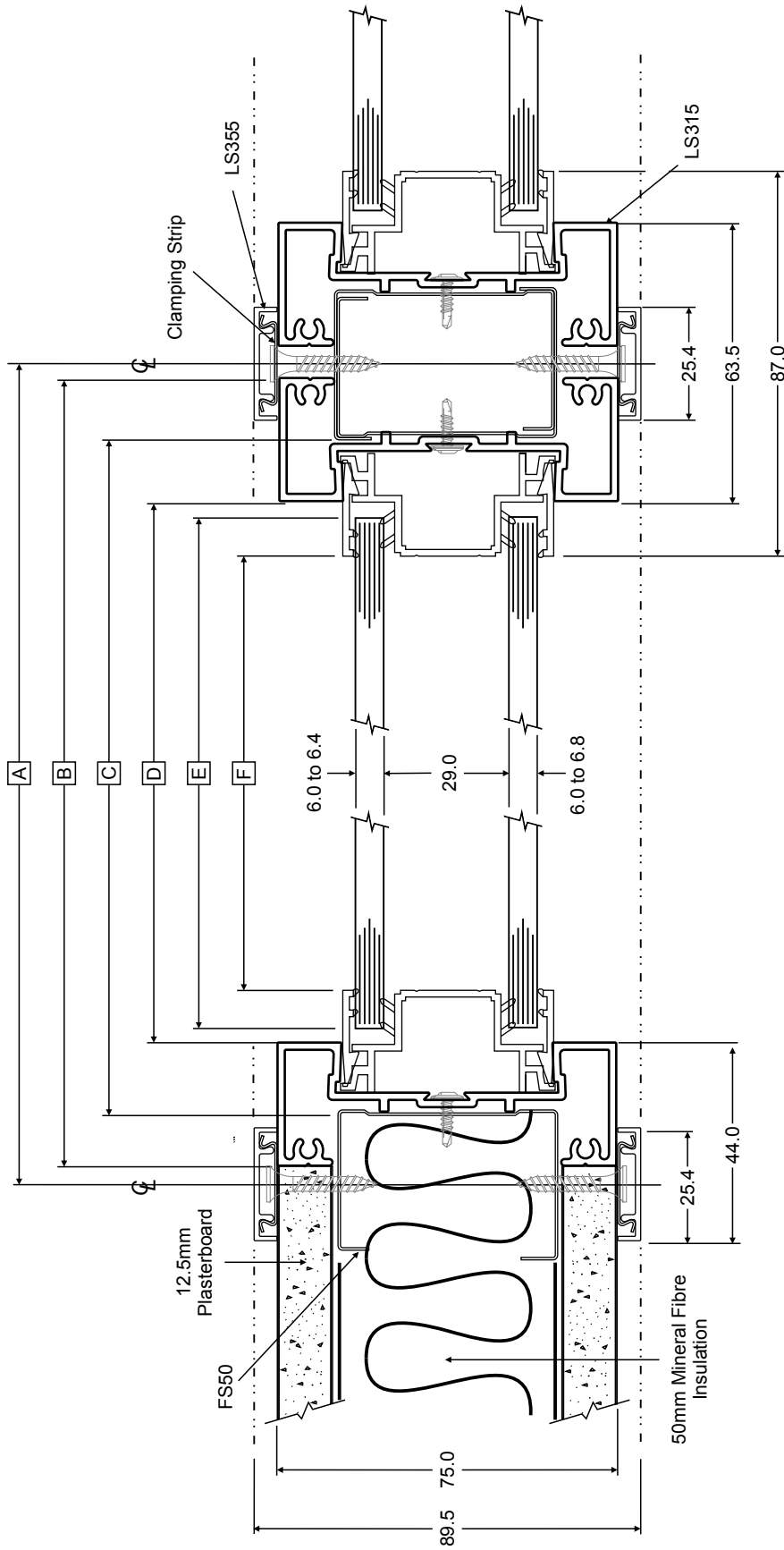
QIC 75

Drawing No:

13-0300-09

Title:

**75mm Wrap Round Single Glazing 30 Min
 Fire Rated/Solid Module: Plan View**



- Dimension A** = Dim B + 7.5mm (Centre to Centre)
- Dimension B** = External frame dimension
- Dimension C** = Dim B - 26mm
- Dimension D** = Dim B - 56mm (Glazing Aperture)
- Dimension E** = Dim B - 62mm (Actual Glass Size)
- Dimension F** = Dim B - 86mm (Blind Aperture)

All dimensions are in mm and are nominal.

All glass must conform to BS6262 and guidance provided in Building Regulations Document 'N'

Line of Skirting - - - - -



QIC Trims UK Ltd
 Radclive Road,
 Buckingham MK18 4BL
 T: +44 (0) 1280 818 950
 E: sales@qic-trims.com

© QIC Trims UK Ltd
COPYRIGHT | 2023

Copyright in this drawing belongs to QIC Trims UK Ltd.
 Neither the whole drawing or part thereof may be reproduced
 without the prior permission in writing of QIC Trims UK Ltd.

Date: 15/12/13

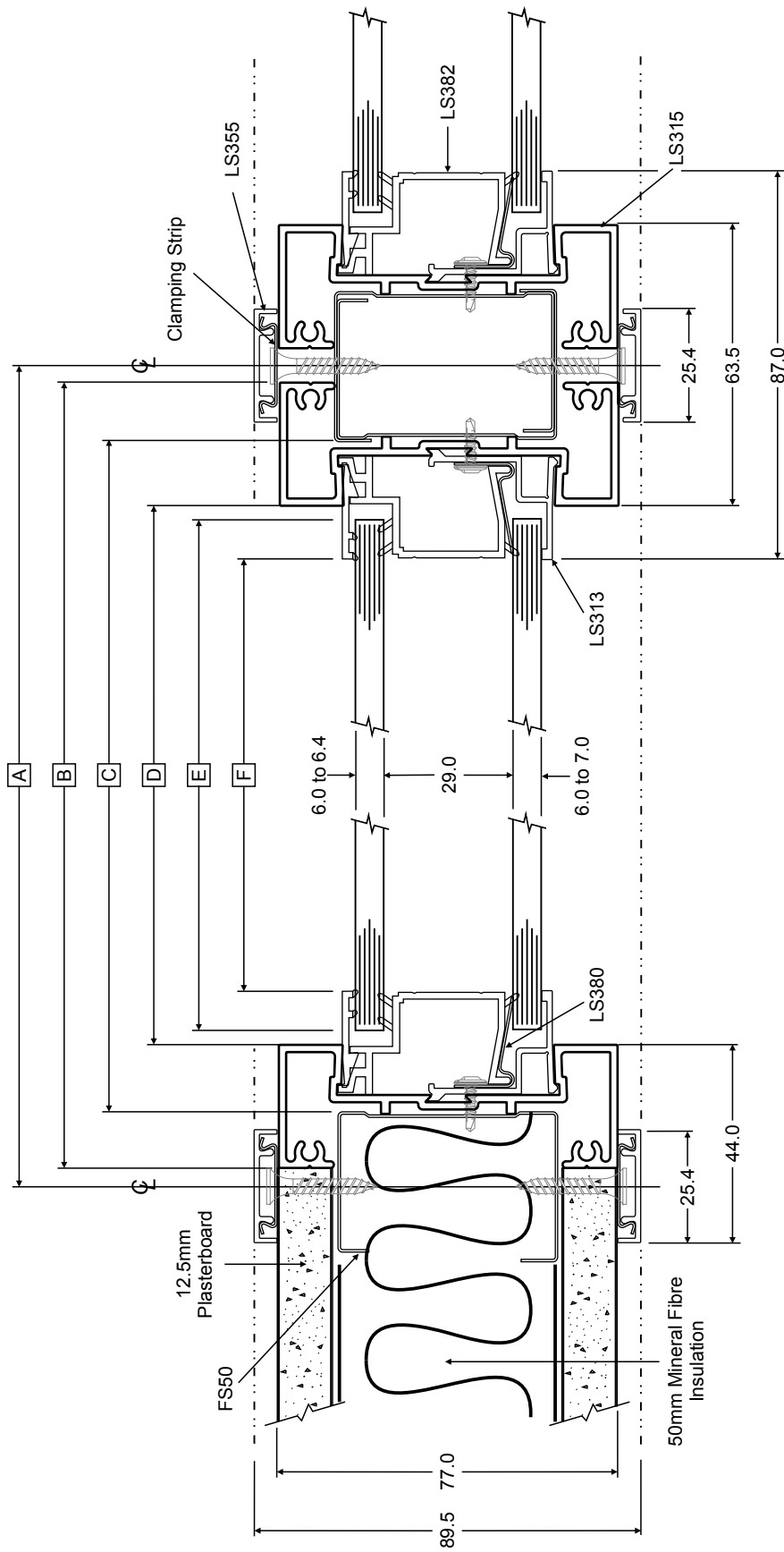
QIC 75

Drawing No:

13-0300-10

Title:

75mm Non-Warp Round Double Glazing /Solid Module: Plan View



- Dimension A** = Dim B + 7.5mm (Centre to Centre)
- Dimension B** = External frame dimension
- Dimension C** = Dim B - 26mm
- Dimension D** = Dim B - 56mm (Glazing Aperture)
- Dimension E** = Dim B - 62mm (Actual Glass Size)
- Dimension F** = Dim B - 86mm (Blind Aperture)

All dimensions are in mm and are nominal.

All glass must conform to BS6262 and guidance provided in Building Regulations Document 'N'

Line of Skirting - - - - -

LS315: NWR Square Glazing [] FS50: 50mm Stud [---] LS350: WR Cover Trim [---] Clamping Strip [---] LS313: DG FR Glazing Chair [---] LS380: PVC FR Glazing Chair [---] LS380: Steel Glazing Bead [---] Double Glazing Bead [---]



QIC Trims UK Ltd
Raddive Road,
Buckingham MK18 4BL
T: +44 (0) 1280 818 950
E: sales@qic-trims.com



QIC Trims UK Ltd
COPYRIGHT | 2023

Copyright in this drawing belongs to QIC Trims UK Ltd.
Neither the whole drawing or part thereof may be reproduced
without the prior permission in writing of QIC Trims UK Ltd.

Date: 15/12/13

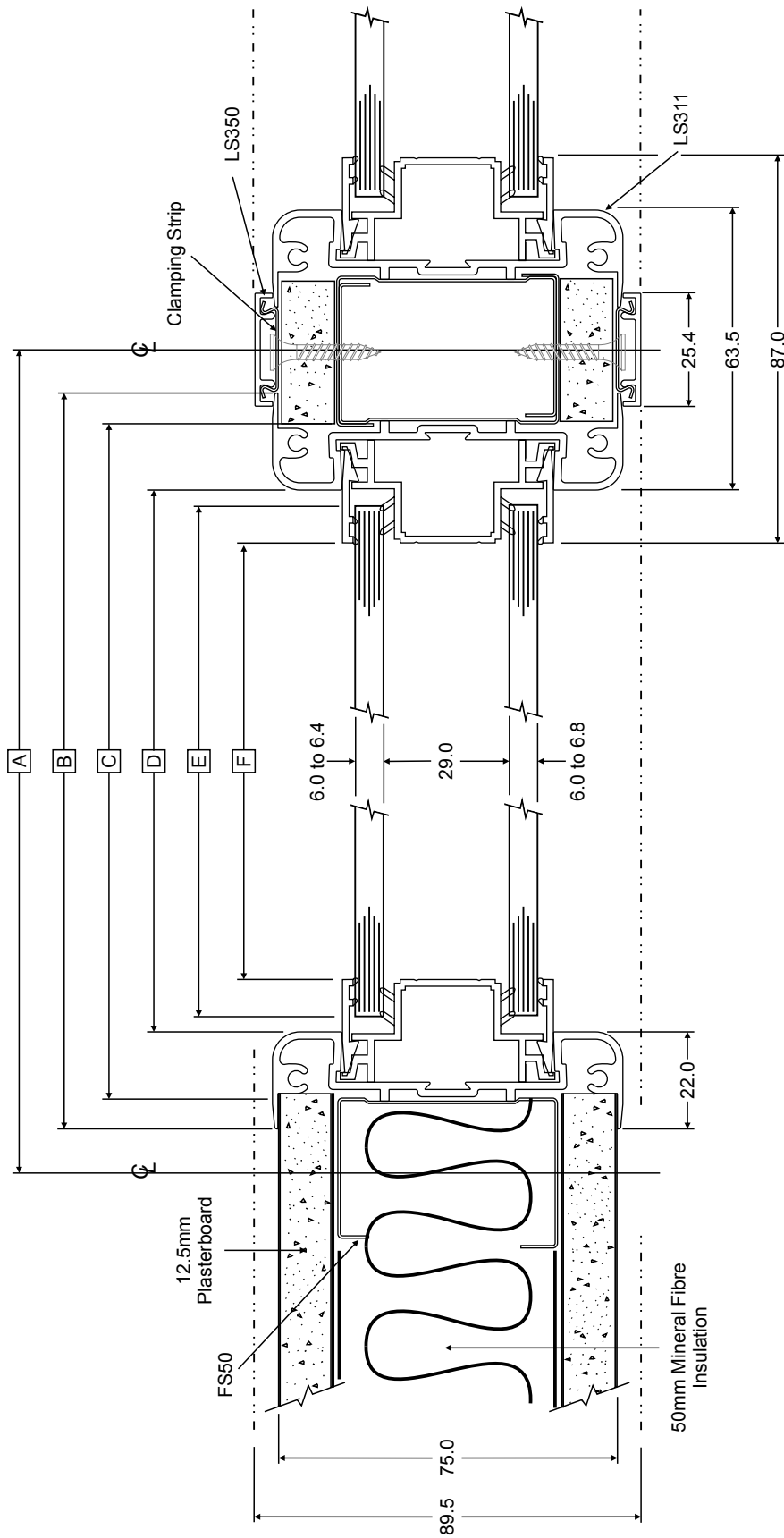
QIC 75

Drawing No:

13-0300-11

Title:

**75mm Non Wrap Round Double Glazing 30
Min Fire Rated /Solid Module: Plan View**



- Dimension A** = Dim B + 20mm (Centre to Centre)
- Dimension B** = External frame dimension
- Dimension C** = Dim B - 13.5mm
- Dimension D** = Dim B - 44mm (Glazing Aperture)
- Dimension E** = Dim B - 50mm (Actual Glass Size)
- Dimension F** = Dim B - 74mm (Blind Aperture)

All dimensions are in mm and are nominal.

All glass must conform to BS6262 and guidance provided in Building Regulations Document 'N'

Line of Skirting - - - - -

FS50: 50mm Stud LS350: WR Cover Trim LS311: Clamping Strip Double Glazing Chair Double Glazing Bead



QIC Trims UK Ltd
 Radclive Road,
 Buckingham MK18 4BL
 T: +44 (0) 1280 818 950
 E: sales@qic-trims.com

© **QIC Trims UK Ltd**
COPYRIGHT | 2023

Copyright in this drawing belongs to QIC Trims UK Ltd.
 Neither the whole drawing or part thereof may be reproduced
 without the prior permission in writing of QIC Trims UK Ltd.

Date: 15/12/13

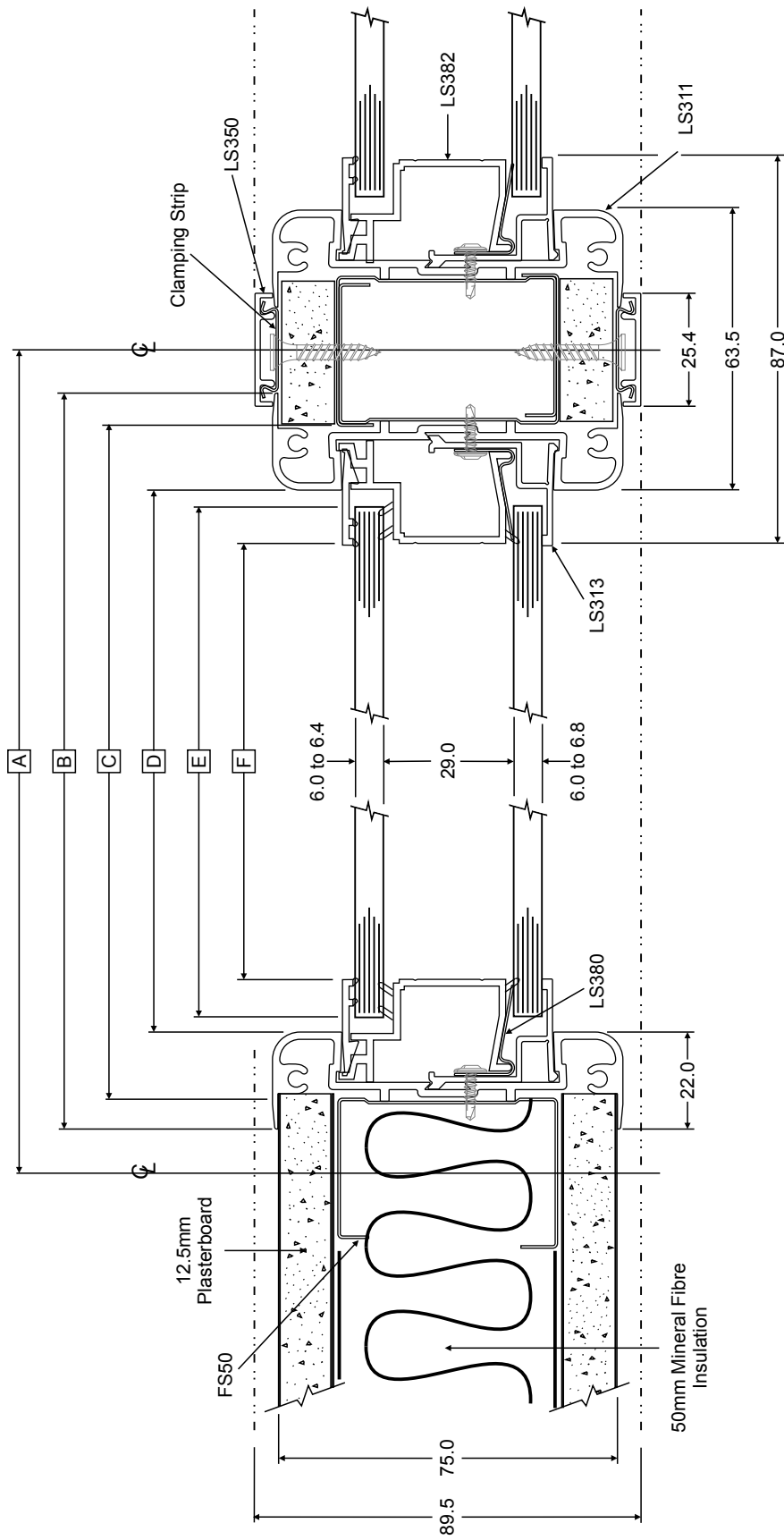
QIC 75

Drawing No:

13-0300-12

Title:

75mm Wrap Round Double Glazing /Solid Module: Plan View



- Dimension A = Dim B + 20mm (Centre to Centre)
- Dimension B = External frame dimension
- Dimension C = Dim B - 13.5mm
- Dimension D = Dim B - 44mm (Glazing Aperture)
- Dimension E = Dim B - 50mm (Actual Glass Size)
- Dimension F = Dim B - 74mm (Blind Aperture)

All dimensions are in mm and are nominal.

All glass must conform to BS6262 and guidance provided in Building Regulations Document 'N'

Line of Skirting - - - - -

FS50: 50mm Stud LS350: WR Cover Trim LS380: DG FR Glazing Chair LS313: PVC FR Glazing Chair LS382: PVC FR Glazing Chair LS311: Steel Glazing Bead Double Glazing Bead



QIC Trims UK Ltd
Raddive Road,
Buckingham MK18 4BL
T: +44 (0) 1280 818 950
E: sales@qic-trims.com



QIC Trims UK Ltd
COPYRIGHT | 2023

Copyright in this drawing belongs to QIC Trims UK Ltd.
Neither the whole drawing or part thereof may be reproduced
without the prior permission in writing of QIC Trims UK Ltd.

Date: 15/12/13

QIC 75

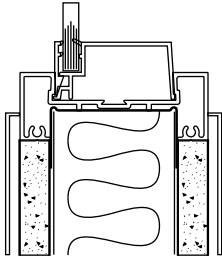
Drawing No:

13-0300-13

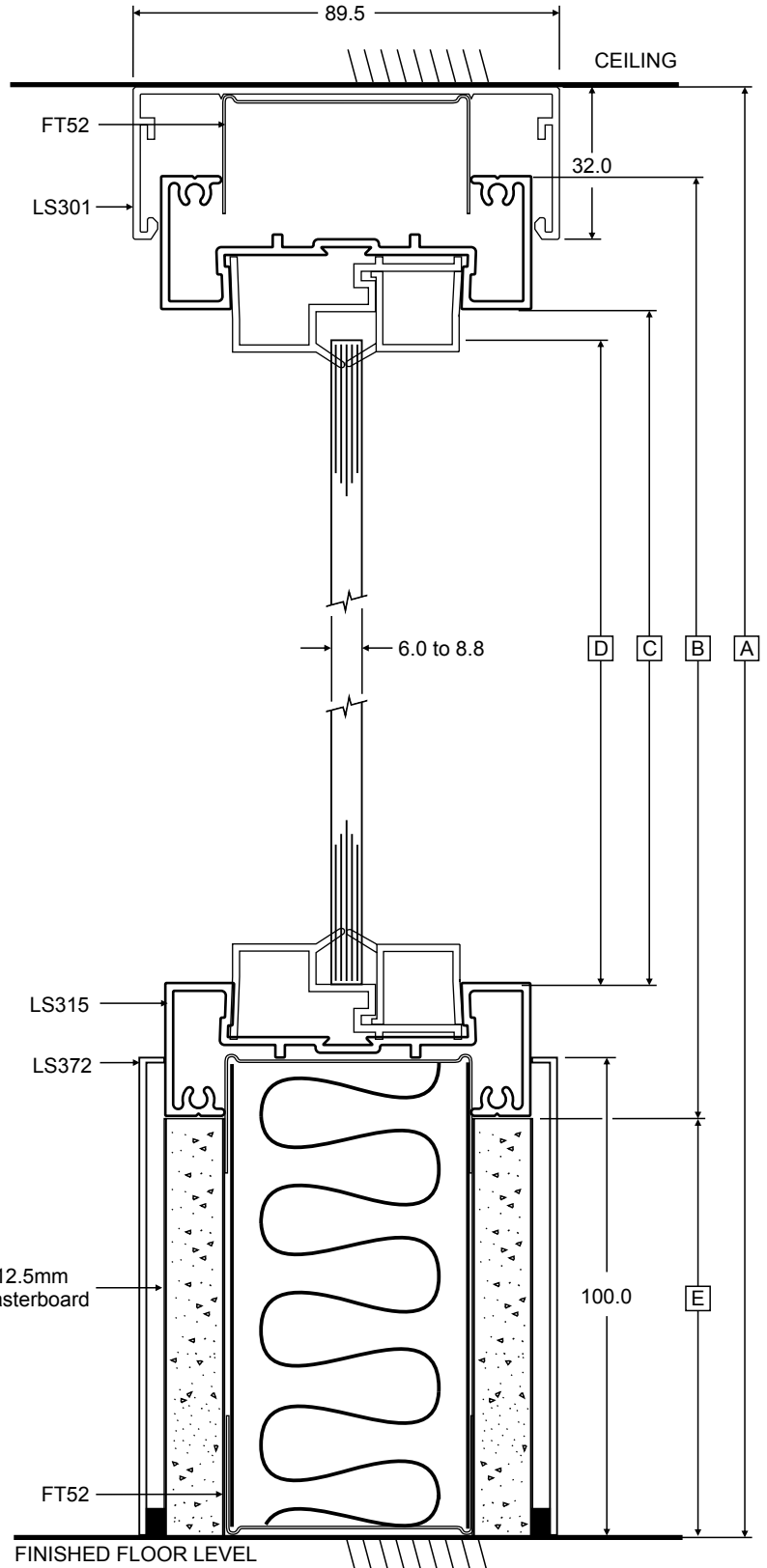
Title:

75mm Wrap Round Double Glazing 30 Min
Fire Rated/Solid Module: Plan View

Optional Detailing



Offset Glazing Chair and Bead



- Dimension A** = Floor to Ceiling Height
- Dimension B** = Dim A - 105mm
- Dimension C** = Dim B - 56mm (Glazing Aperture)
- Dimension D** = Dim B - 62mm (Actual Glass Size)
- Dimension E** = Skirting Height -14mm

All dimensions are in mm and are nominal

All glass must conform to BS6262 and guidance provided in Building Regulations Document 'N'

LS301: 75mm Head Channel
 LS372: Skirting
 FT52: 52mm Track
 LS315: NWR Square Glazing
 Single Glazing Chair
 Single Glazing Bead



QIC Trims UK Ltd
 Radclive Road,
 Buckingham MK18 4BL
 T: +44 (0) 1280 818 950
 E: sales@qic-trims.com



QIC Trims UK Ltd
COPYRIGHT | 2023

Copyright in this drawing belongs to QIC Trims UK Ltd.
 Neither the whole drawing or part thereof may be reproduced
 without the prior permission in writing of QIC Trims UK Ltd.

Date: 15/12/13

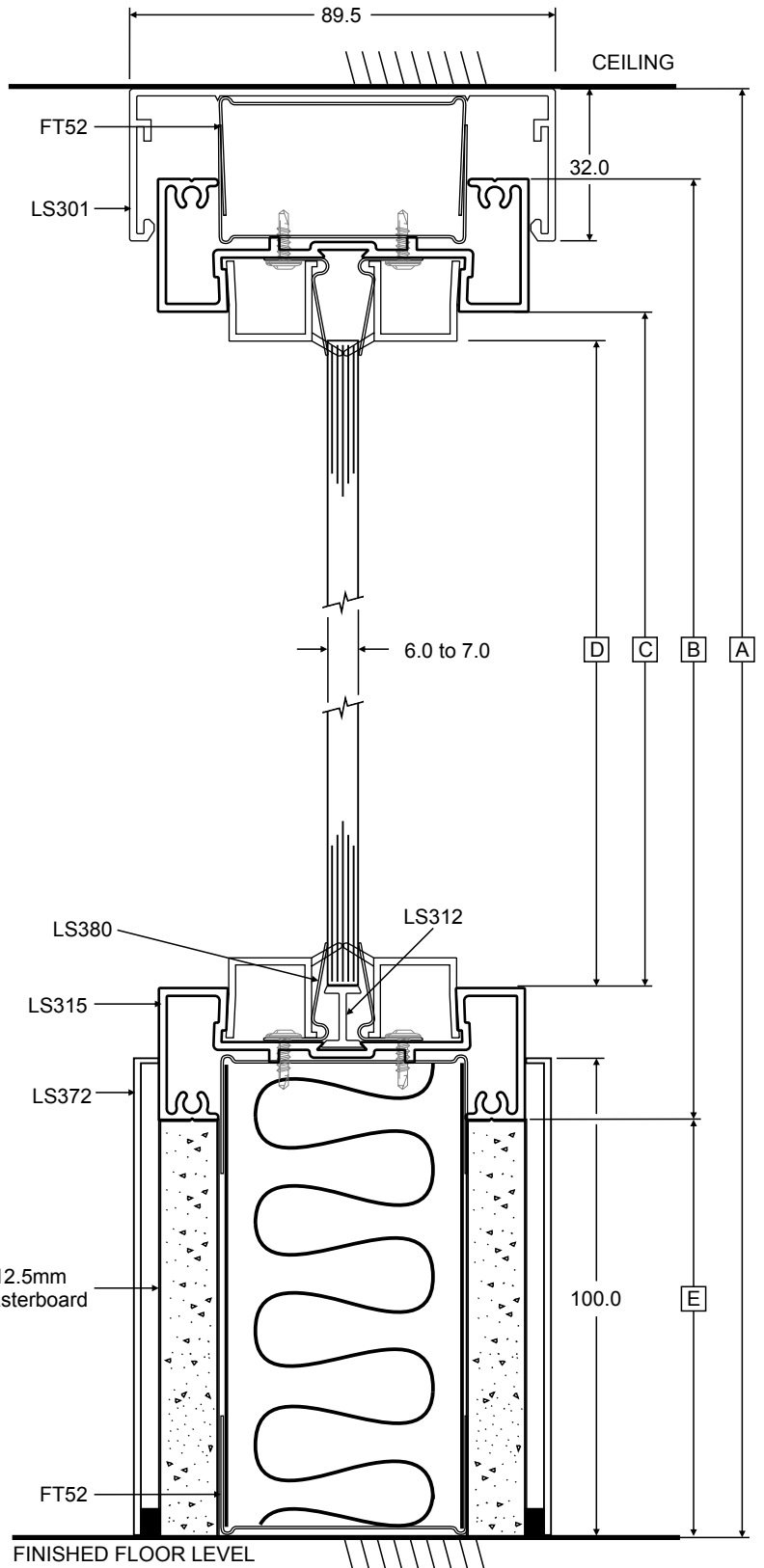
QIC 75

Drawing No:

13-0300-14

Title:

**75mm Non-Wrap Round Full Height Single
 Glazing : Elevation**



Dimension A = Floor to Ceiling Height
Dimension B = Dim A - 105mm
Dimension C = Dim B - 56mm (Glazing Aperture)
Dimension D = Dim B - 62mm (Actual Glass Size)
Dimension E = Skirting Height - 14mm

All dimensions are in mm and are nominal

All glass must conform to BS6262 and guidance provided in Building Regulations Document 'N'

 LS301: 75mm Head Channel
 LS315: 100mm Skirting
 FT52: 52mm Track
 LS31: NWR Square Glazing
 Single Glazing Bead
 LS380: Steel Glazing Bead
 LS312: SG FR Glazing T



QIC Trims UK Ltd
 Radclive Road,
 Buckingham MK18 4BL
 T: +44 (0) 1280 818 950
 E: sales@qic-trims.com

© QIC Trims UK Ltd
 COPYRIGHT | 2023

Copyright in this drawing belongs to QIC Trims UK Ltd.
 Neither the whole drawing or part thereof may be reproduced
 without the prior permission in writing of QIC Trims UK Ltd.

Date: 15/12/13

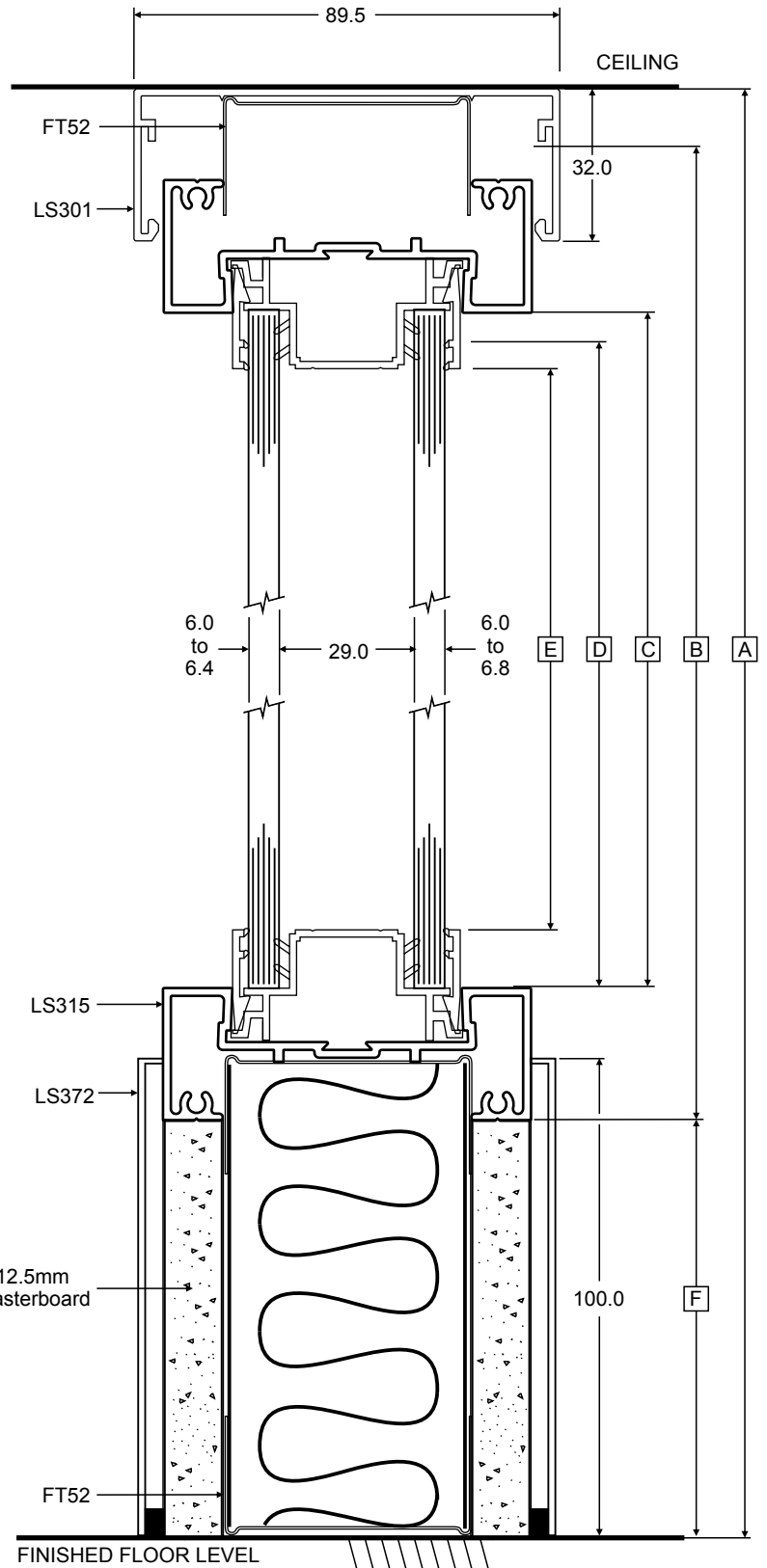
QIC 75

Drawing No:

13-0300-15

Title:

**75mm Non Wrap Round Full Height Single
 Glazing - 30 Min Fire Rated: Elevation**



Dimension A = Floor to Ceiling Height
Dimension B = Dim A - 105mm
Dimension C = Dim B - 56mm (Glazing Aperture)
Dimension D = Dim B - 62mm (Actual Glass Size)
Dimension E = Dim B - 86mm (Blind Aperture)
Dimension F = Skirting Height - 14mm

All dimensions are in mm and are nominal

All glass must conform to BS6262 and guidance provided in Building Regulations Document 'N'

 LS301: 75mm Head Channel
 LS372: Skirting
 FT52: 52mm Track
 LS315: NWR Square Glazing
 Double Glazing Chair
 Double Glazing Bead



QIC Trims UK Ltd
 Radclive Road,
 Buckingham MK18 4BL
 T: +44 (0) 1280 818 950
 E: sales@qic-trims.com

© QIC Trims UK Ltd
 COPYRIGHT | 2023

Copyright in this drawing belongs to QIC Trims UK Ltd.
 Neither the whole drawing or part thereof may be reproduced
 without the prior permission in writing of QIC Trims UK Ltd.

Date: 15/12/13

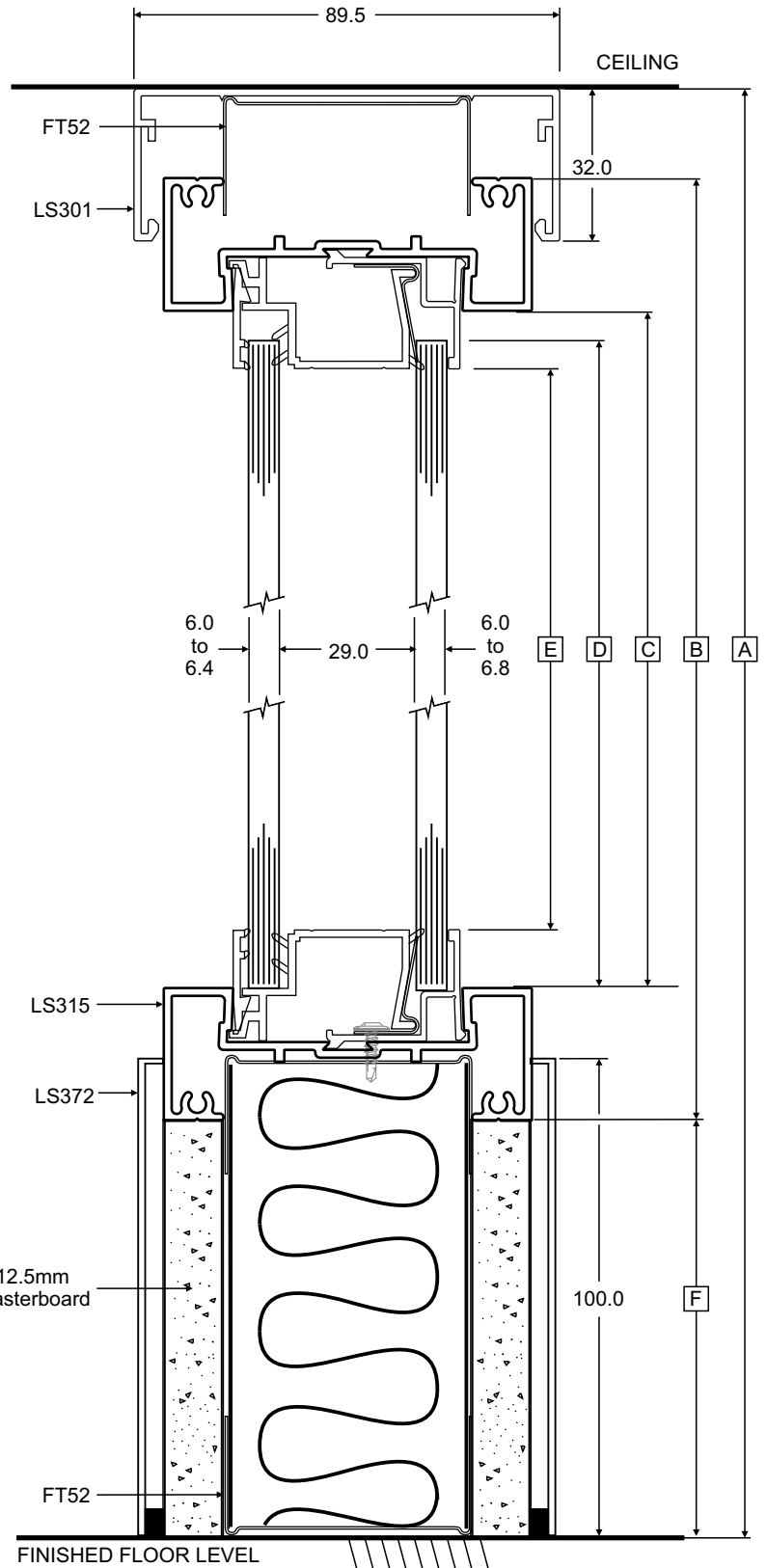
QIC 75

Drawing No:

13-0300-16

Title:

75mm Non-Wrap Round Full Height Double Glazing : Elevation



- Dimension A** = Floor to Ceiling Height
- Dimension B** = Dim A - 105mm
- Dimension C** = Dim B - 56mm (Glazing Aperture)
- Dimension D** = Dim B - 62mm (Actual Glass Size)
- Dimension E** = Dim B - 86mm (Blind Aperture)
- Dimension F** = Skirting Height - 14mm

All dimensions are in mm and are nominal

All glass must conform to BS6262 and guidance provided in Building Regulations Document 'N'

 LS301: 75mm Head Channel
 LS315: NWR Square Glazing
 LS372: Skirting
 LS313: DG FR Glazing Chair
 LS382: PVC FR Glazing Chair
 LS380: Steel Glazing Bead
 } Double Glazing Bead
 FT52: 52mm Track



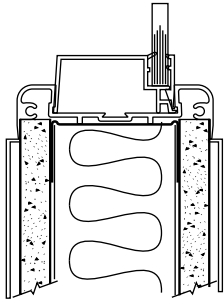
QIC Trims UK Ltd
 Radclive Road,
 Buckingham MK18 4BL
 T: +44 (0) 1280 818 950
 E: sales@qic-trims.com

© QIC Trims UK Ltd
COPYRIGHT | 2023

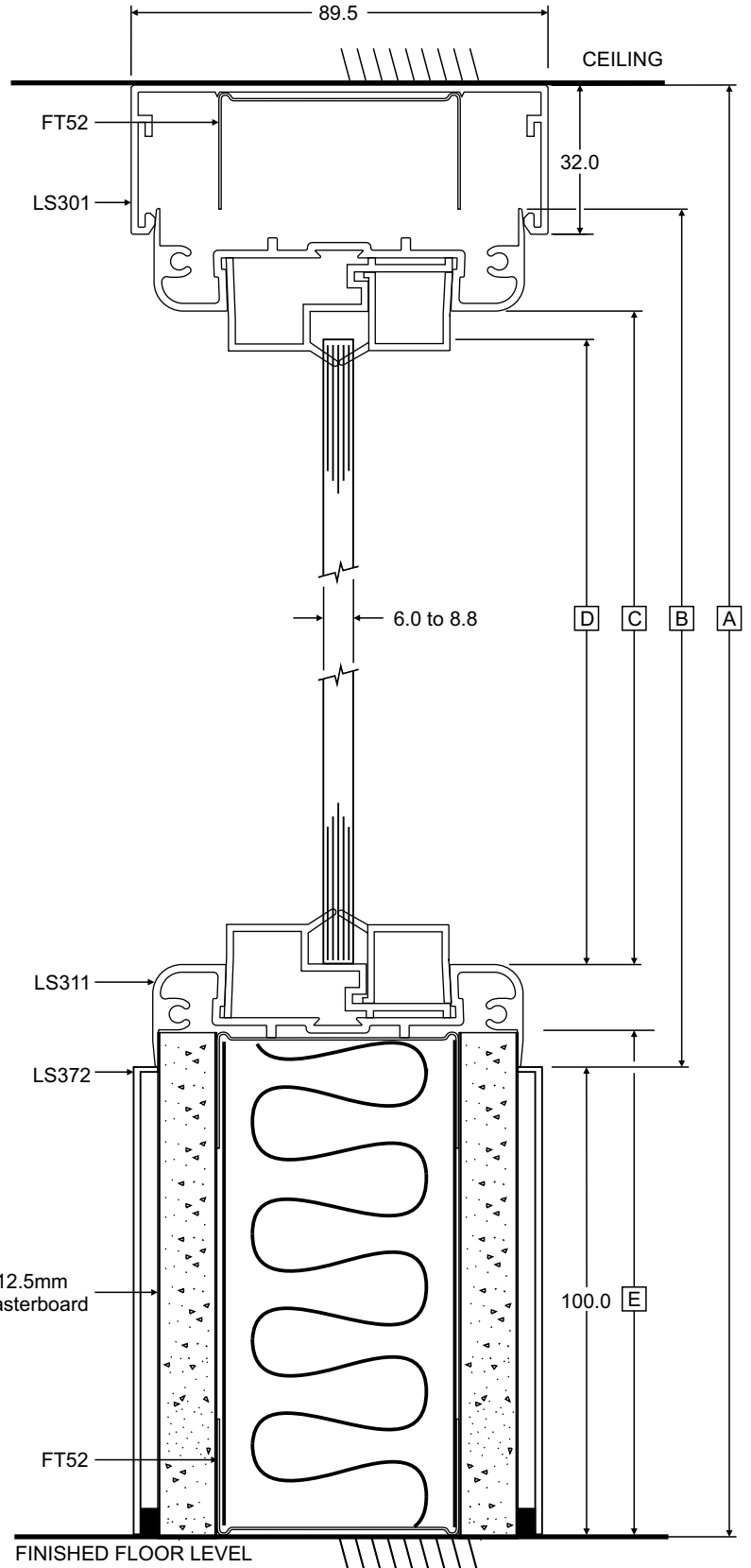
Copyright in this drawing belongs to QIC Trims UK Ltd.
 Neither the whole drawing or part thereof may be reproduced
 without the prior permission in writing of QIC Trims UK Ltd.

Date: 15/12/13	QIC 75
Drawing No:	13-0300-17
Title: 75mm Full Height Non-Wrap Round Double Glazing - 30 Min Fire Rated: Elevation	

Optional Detailing



Offset Glazing Chair & Bead



- Dimension A** = Floor to Ceiling Height
- Dimension B** = Dim A - 126mm
- Dimension C** = Dim B - 44mm (Glazing Aperture)
- Dimension D** = Dim B - 50mm (Actual Glass Size)
- Dimension E** = Skirting Height + 7.5mm

All dimensions are in mm and are nominal

All glass must conform to BS6262 and guidance provided in Building Regulations Document 'N'

 LS301: 75mm Head Channel
 LS311: WR Radius Glazing
 LS372: Skirting
 FT52: 52mm Track
 Single Glazing Chair
 Single Glazing Bead



QIC Trims UK Ltd
 Radclive Road,
 Buckingham MK18 4BL
 T: +44 (0) 1280 818 950
 E: sales@qic-trims.com

© **QIC Trims UK Ltd**
COPYRIGHT | 2023

Copyright in this drawing belongs to QIC Trims UK Ltd.
 Neither the whole drawing or part thereof may be reproduced
 without the prior permission in writing of QIC Trims UK Ltd.

Date: 15/12/13

QIC 75

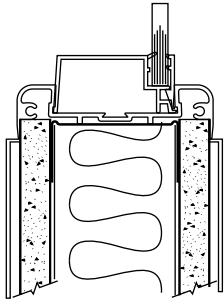
Drawing No:

13-0300-18

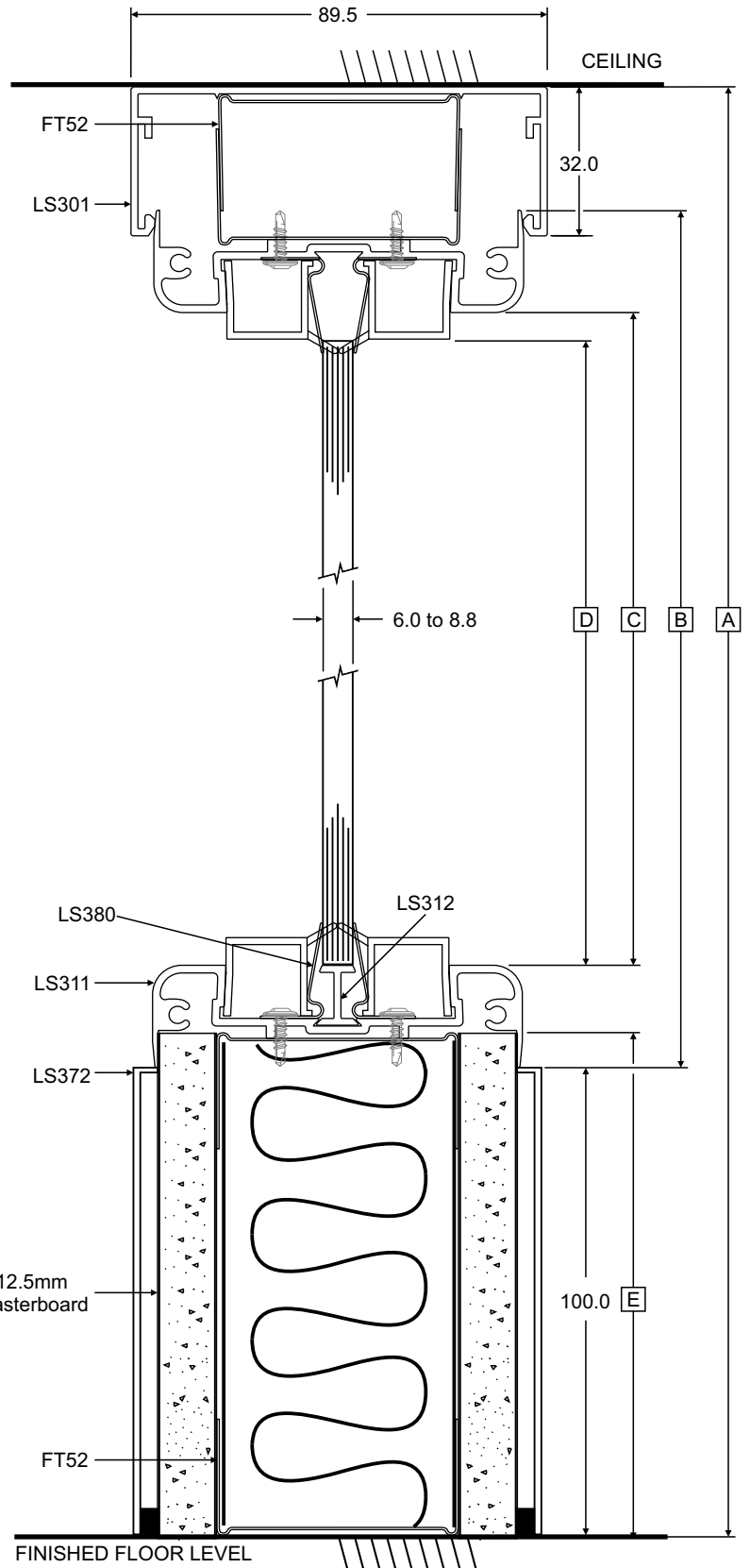
Title:

75mm Full Height Wrap Round Single Glazing : Elevation

Optional Detailing



Offset Glazing Chair & Bead



- Dimension A** = Floor to Ceiling Height
- Dimension B** = Dim A - 126mm
- Dimension C** = Dim B - 44mm (Glazing Aperture)
- Dimension D** = Dim B - 50mm (Actual Glass Size)
- Dimension E** = Skirting Height + 7.5mm

All dimensions are in mm and are nominal

All glass must conform to BS6262 and guidance provided in Building Regulations Document 'N'

 LS301: 75mm Head Channel
 LS311: WR Radius Glazing
 LS372: Skirting
 FT52: 52mm Track
 Single Glazing Bead
 LS380: Steel Glazing Bead
 LS312: SG FR Glazing 'T'



QIC Trims UK Ltd
 Radclive Road,
 Buckingham MK18 4BL
 T: +44 (0) 1280 818 950
 E: sales@qic-trims.com

© **QIC Trims UK Ltd**
COPYRIGHT | 2023

Copyright in this drawing belongs to QIC Trims UK Ltd.
 Neither the whole drawing or part thereof may be reproduced
 without the prior permission in writing of QIC Trims UK Ltd.

Date: 15/12/13

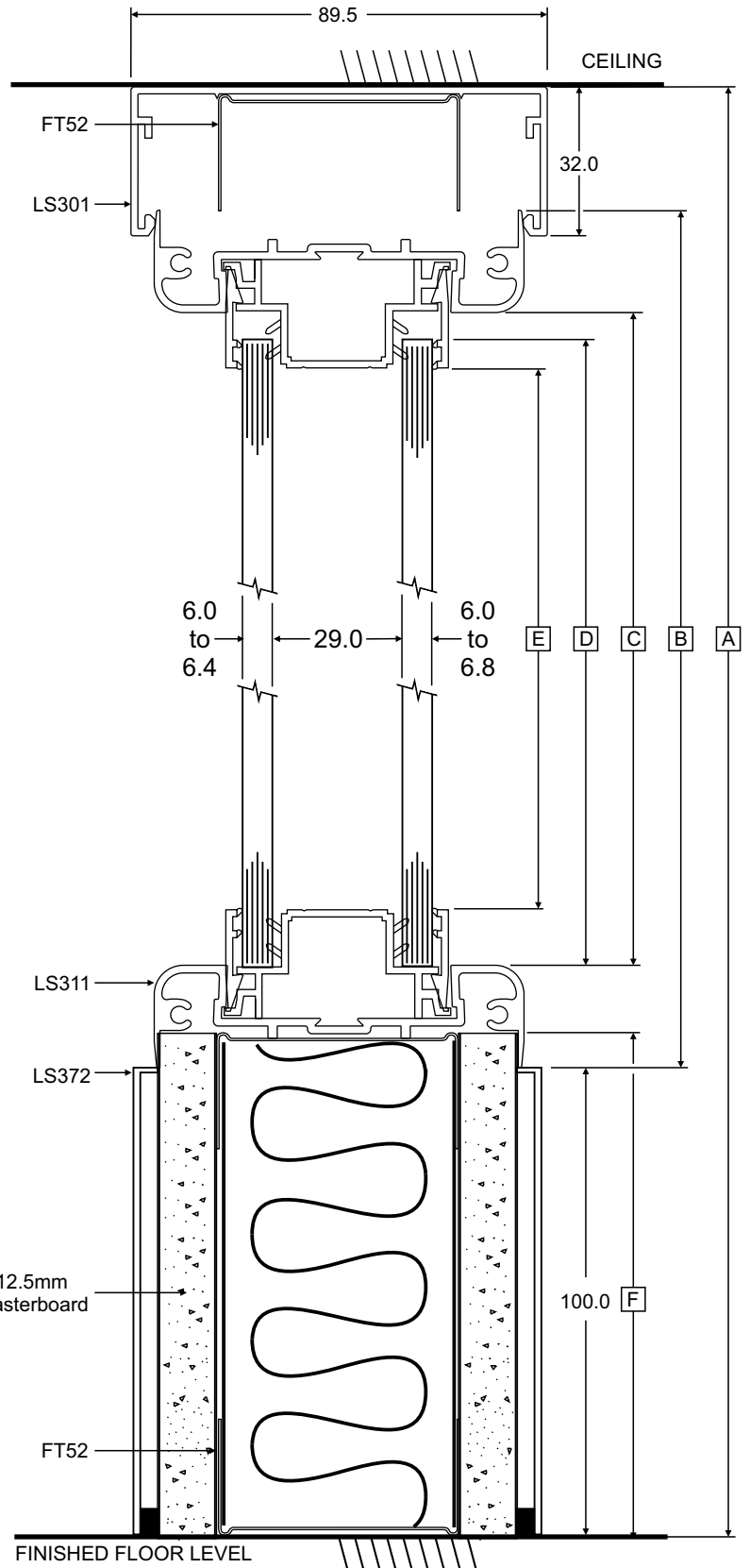
QIC 75

Drawing No:

13-0300-19

Title:

75mm Full Height Wrap Round Single Glazing - 30 Min Fire Rated : Elevation



- Dimension A** = Floor to Ceiling Height
- Dimension B** = Dim A - 126mm
- Dimension C** = Dim B - 44mm (Glazing Aperture)
- Dimension D** = Dim B - 50mm (Actual Glass Size)
- Dimension E** = Dim B - 74mm (Blind Aperture)
- Dimension F** = Skirting Height + 7.5mm

All glass must conform to BS6262 and guidance provided in Building Regulations Document 'N'
 All dimensions are in mm and are nominal with frame sizes based on a skirting height of 100mm.

 LS301: 75mm Head Channel
 LS311: WR Radius Glazing
 LS372: Skirting
 FT52: 52mm Track
 Single Glazing Bead
 LS380: Steel Glazing Bead
 LS312: SG FR Glazing 'T'



QIC Trims UK Ltd
 Radclive Road,
 Buckingham MK18 4BL
 T: +44 (0) 1280 818 950
 E: sales@qic-trims.com

© **QIC Trims UK Ltd**
COPYRIGHT | 2023

Copyright in this drawing belongs to QIC Trims UK Ltd.
 Neither the whole drawing or part thereof may be reproduced
 without the prior permission in writing of QIC Trims UK Ltd.

Date: 15/12/13

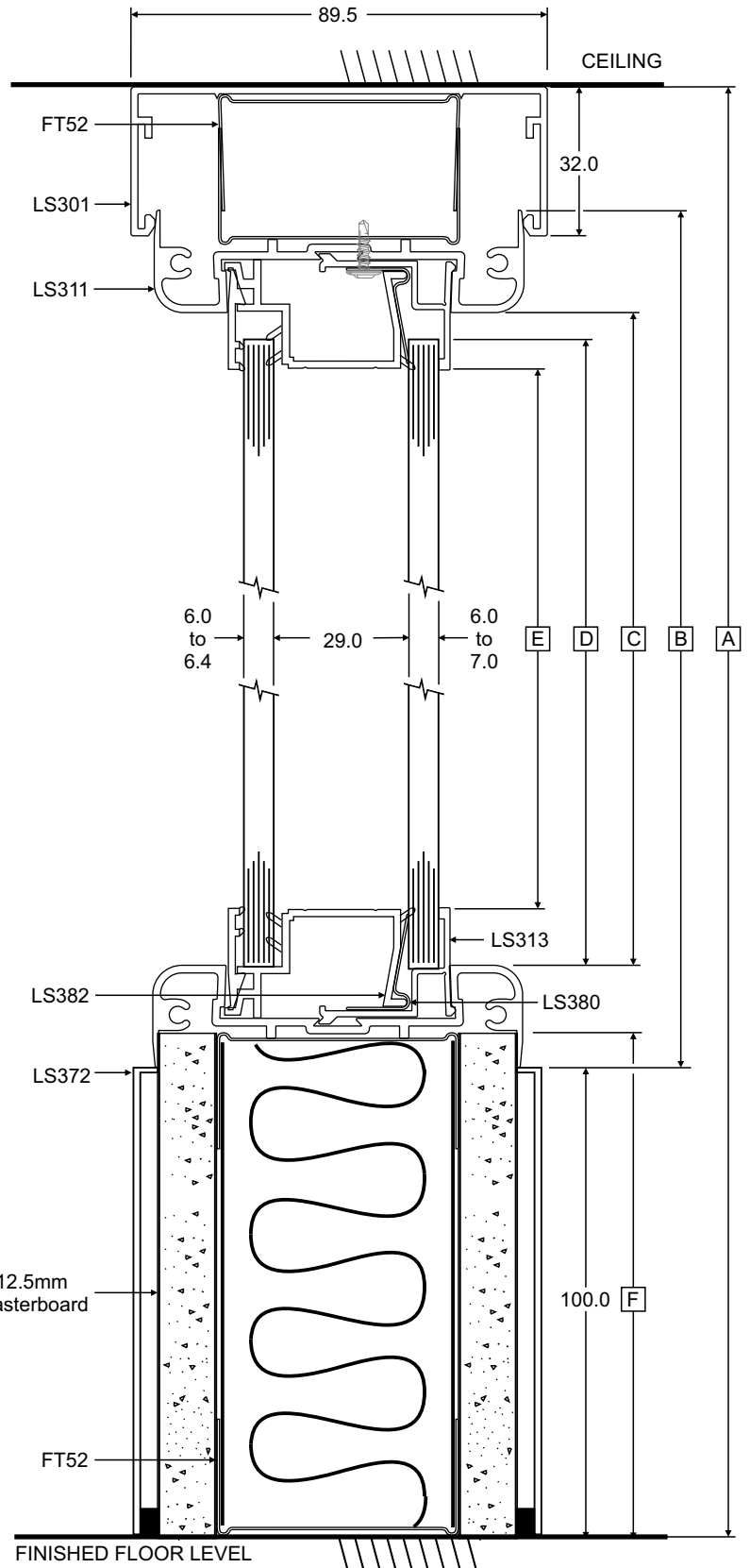
QIC 75

Drawing No:

13-0300-20

Title:

75mm Full Height Wrap Round Single Glazing: Elevation



Dimension A = Floor to Ceiling Height
Dimension B = Dim A - 126mm
Dimension C = Dim B - 44mm (Glazing Aperture)
Dimension D = Dim B - 50mm (Actual Glass Size)
Dimension E = Dim B - 74mm (Blind Aperture)
Dimension F = Skirting Height + 7.5mm

All dimensions are in mm and are nominal

All glass must conform to BS6262 and guidance provided in Building Regulations Document 'N'

[Symbol] LS301: 75mm Head Channel [Symbol] LS311: WR Radius Glazing [Symbol] LS372: Skirting [Symbol] FT52: 52mm Track [Symbol] LS313: DG FR Glazing Chair [Symbol] LS382: PVC FR Glazing Chair [Symbol] LS380: Steel Glazing Bead
 [Symbol] Double Glazing Bead



QIC Trims UK Ltd
 Radclive Road,
 Buckingham MK18 4BL
 T: +44 (0) 1280 818 950
 E: sales@qic-trims.com



QIC Trims UK Ltd
COPYRIGHT | 2023

Copyright in this drawing belongs to QIC Trims UK Ltd.
 Neither the whole drawing or part thereof may be reproduced
 without the prior permission in writing of QIC Trims UK Ltd.

Date: 15/12/13

QIC 75

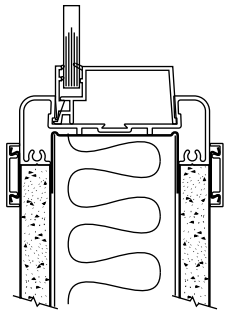
Drawing No:

13-0300-21

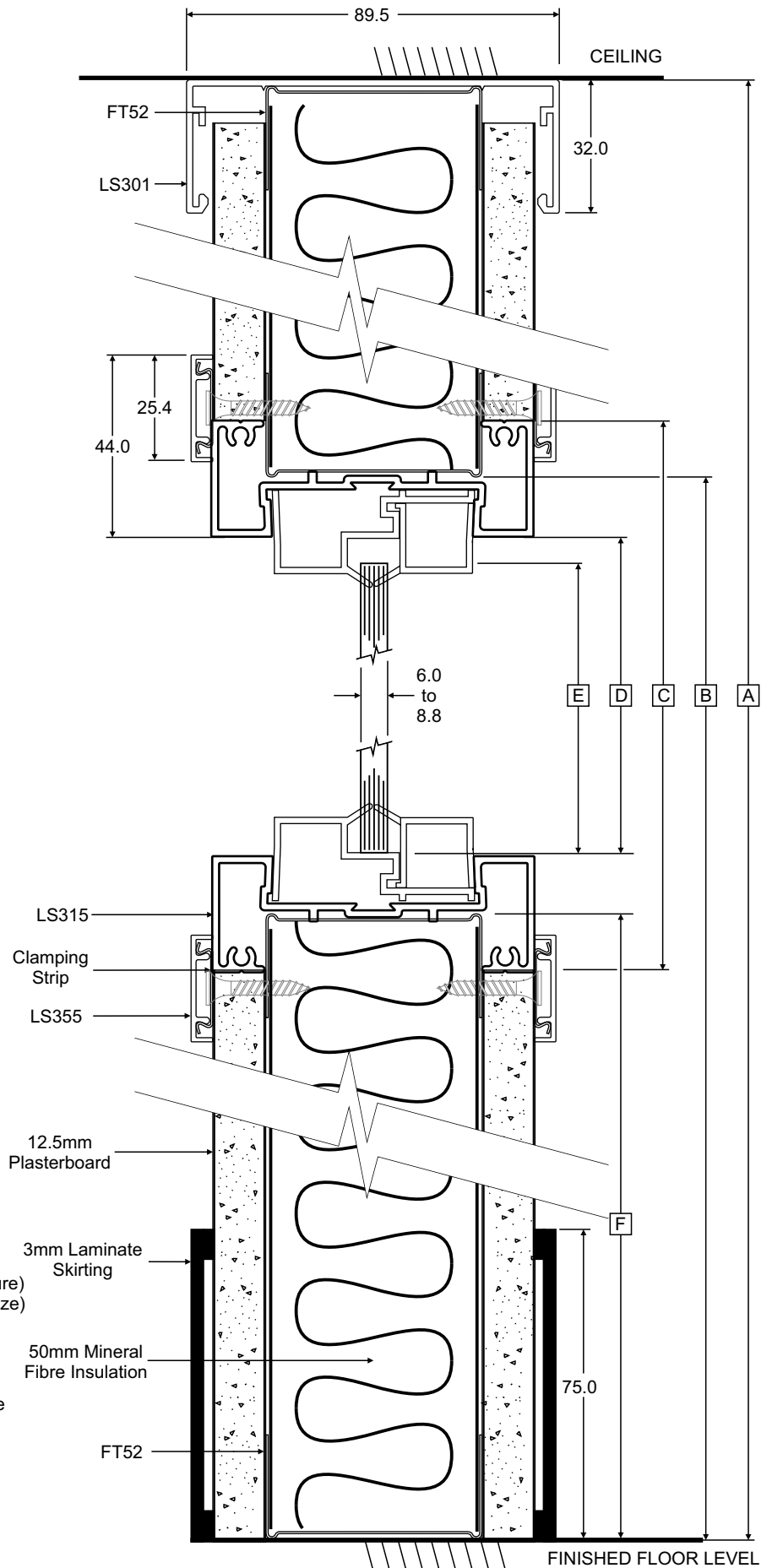
Title:

**75mm Full Height Wrap Round Double
 Glazing 30 Min Fire Rated : Elevation**

Optional Detailing



Offset Glazing Chair & Bead



- Dimension A** = Floor to Ceiling Height
- Dimension B** = Door Height + 19mm
- Dimension C** = Dim B - Dim F
- Dimension D** = Dim C - 56mm (Glazing Aperture)
- Dimension E** = Dim C - 62mm (Actual Glass Size)
- Dimension F** = Dado Height

All dimensions are in mm and are nominal

All glass must conform to BS6262 and guidance provided in Building Regulations Document 'N'

 LS301: 75mm Head Channel
 LS315: NWR Square Glazing
 FT52: 52mm Track
 LS355: NWR Cover Trim
 Clamping Strip
 Single Glazing Chair
 Single Glazing Bead



QIC Trims UK Ltd
 Radclive Road,
 Buckingham MK18 4BL
 T: +44 (0) 1280 818 950
 E: sales@qic-trims.com

© **QIC Trims UK Ltd**
COPYRIGHT | 2023

Copyright in this drawing belongs to QIC Trims UK Ltd.
 Neither the whole drawing or part thereof may be reproduced
 without the prior permission in writing of QIC Trims UK Ltd.

Date: 15/12/13

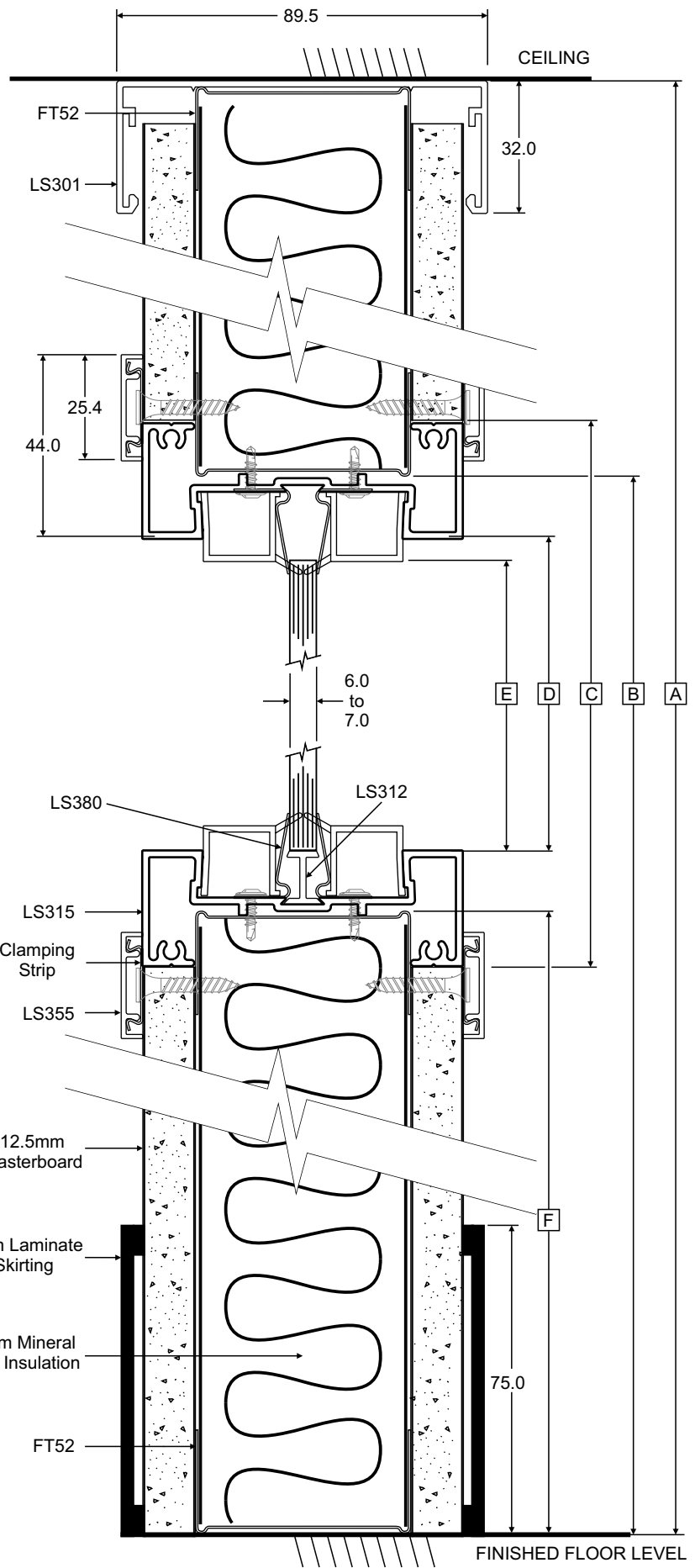
QIC 75

Drawing No:

13-0300-22

Title:

75mm Non-Wrap Round Single Glazing
 Solid/Glazed/Solid : Elevation



Dimension A = Floor to Ceiling Height
Dimension B = Door Height + 19mm
Dimension C = Dim B - Dim F
Dimension D = Dim C - 56mm (Glazing Aperture)
Dimension E = Dim C - 62mm (Actual Glass Size)
Dimension F = Dado Height

All dimensions are in mm and are nominal

All glass must conform to BS6262 and guidance provided in Building Regulations Document 'N'

12.5mm Plasterboard
 3mm Laminate Skirting
 50mm Mineral Fibre Insulation
 FT52

[] LS301: 75mm Head Channel [] LS315: NWR Square Glazing [] FT52: 52mm Track [] LS355: NWR Cover Trim [] Clamping Strip [] Single Glazing Bead [] LS380: Steel Glazing Bead [] LS312: SG FR Glazing 'T'

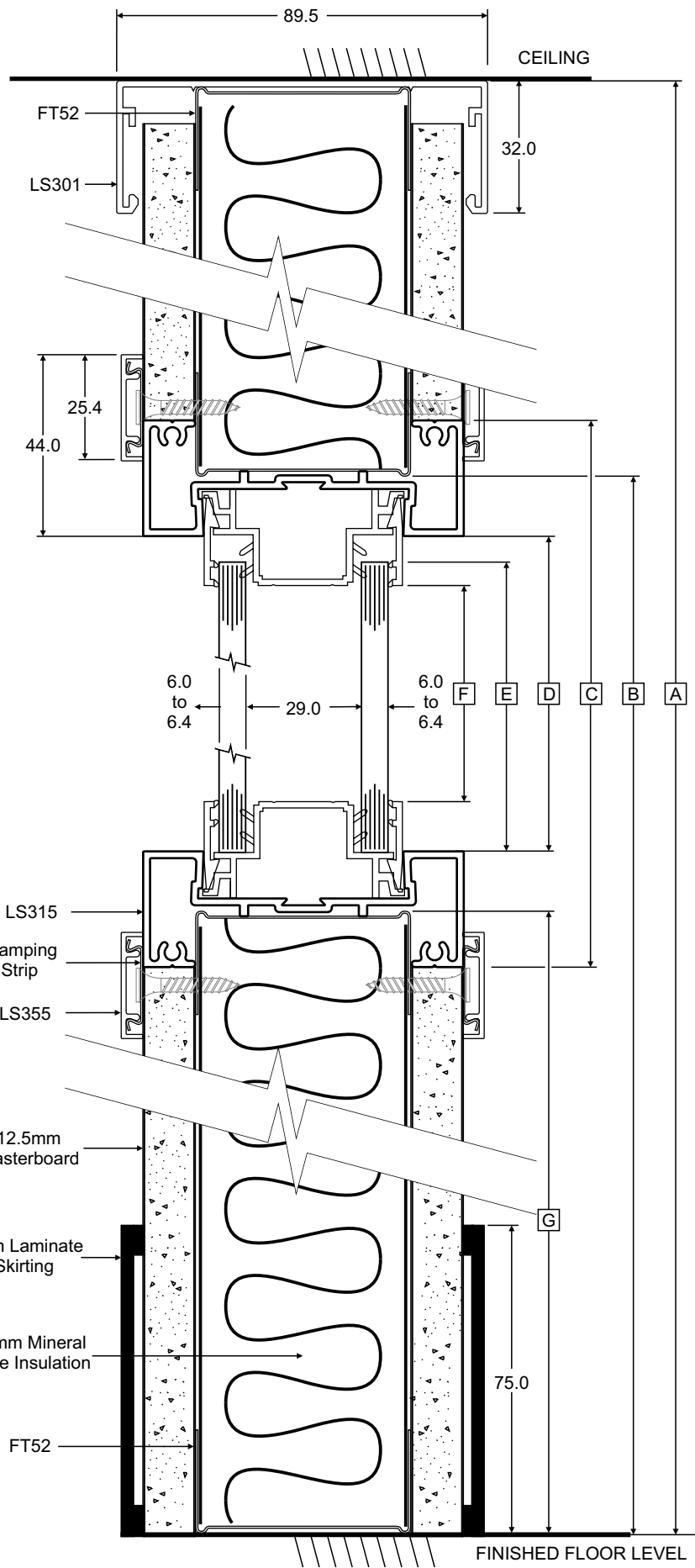


QIC Trims UK Ltd
 Radclive Road,
 Buckingham MK18 4BL
 T: +44 (0) 1280 818 950
 E: sales@qic-trims.com

© QIC Trims UK Ltd
 COPYRIGHT | 2023

Copyright in this drawing belongs to QIC Trims UK Ltd.
 Neither the whole drawing or part thereof may be reproduced
 without the prior permission in writing of QIC Trims UK Ltd.

Date: 15/12/13	QIC 75
Drawing No:	13-0300-23
Title: 75mm Non-Wrap Round Single Glazing Solid / Glazed / Solid - 30 Min Fire Rated : Elevation	



- Dimension A** = Floor to Ceiling Height
- Dimension B** = Door Height + 19mm
- Dimension C** = Dim B - Dim G
- Dimension D** = Dim C - 56mm (Glazing Aperture)
- Dimension E** = Dim C - 62mm (Actual Glass Size)
- Dimension F** = Dim C - 86mm (Blind Aperture)
- Dimension G** = Dado Height

All dimensions are in mm and are nominal

All glass must conform to BS6262 and guidance provided in Building Regulations Document 'N'

 LS301: 75mm Head Channel
 LS315: NWR Square Glazing
 FT52: 52mm Track
 LS355: NWR Cover Trim
 Clamping Strip
 Double Glazing Chair
 Double Glazing Bead



QIC Trims UK Ltd
 Radclive Road,
 Buckingham MK18 4BL
 T: +44 (0) 1280 818 950
 E: sales@qic-trims.com



QIC Trims UK Ltd
COPYRIGHT | 2023

Copyright in this drawing belongs to QIC Trims UK Ltd.
 Neither the whole drawing or part thereof may be reproduced
 without the prior permission in writing of QIC Trims UK Ltd.

Date: 15/12/13

QIC 75

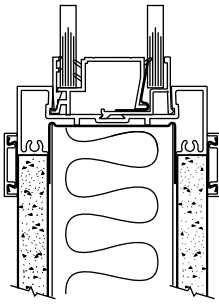
Drawing No:

13-0300-24

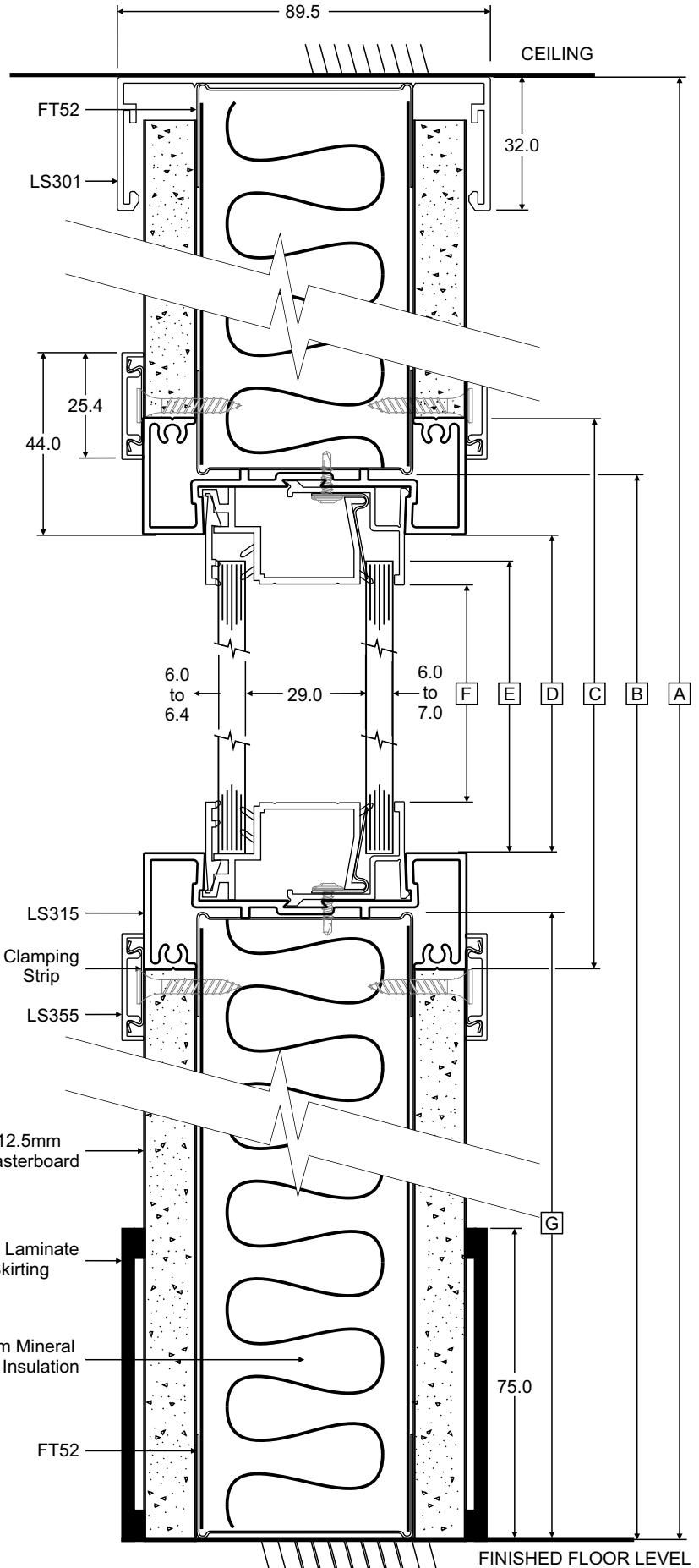
Title:

75mm Non-Wrap Round Double Glazing
Solid / Glazed / Solid : Elevation

Optional Detailing



LS315 Square Glazing Profile



- Dimension A** = Floor to Ceiling Height
- Dimension B** = Door Height + 19mm
- Dimension C** = Dim B - Dim G
- Dimension D** = Dim C - 56mm (Glazing Aperture)
- Dimension E** = Dim C - 62mm (Actual Glass Size)
- Dimension F** = Dim C - 86mm (Blind Aperture)
- Dimension G** = Dado Height

All dimensions are in mm and are nominal

All glass must conform to BS6262 and guidance provided in Building Regulations Document 'N'

- 12.5mm Plasterboard
- 3mm Laminate Skirting
- 50mm Mineral Fibre Insulation
- FT52

 LS301: 75mm Head Channel
 LS315: NWR Square Glazing
 FT52: 52mm Track
 LS355: NWR Cover Trim
 Clamping Strip
 LS313: DG FR Glazing Chair
 LS382: PVC FR Glazing Chair
 LS380: Steel Glazing Bead
 Double Glazing Bead



QIC Trims UK Ltd
 Radcliffe Road,
 Buckingham MK18 4BL
 T: +44 (0) 1280 818 950
 E: sales@qic-trims.com

© **QIC Trims UK Ltd**
COPYRIGHT | 2023

Copyright in this drawing belongs to QIC Trims UK Ltd.
 Neither the whole drawing or part thereof may be reproduced
 without the prior permission in writing of QIC Trims UK Ltd.

Date: 15/12/13

QIC 75

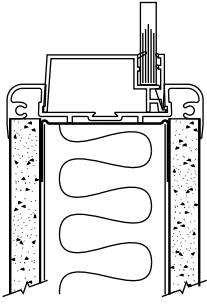
Drawing No:

13-0300-25

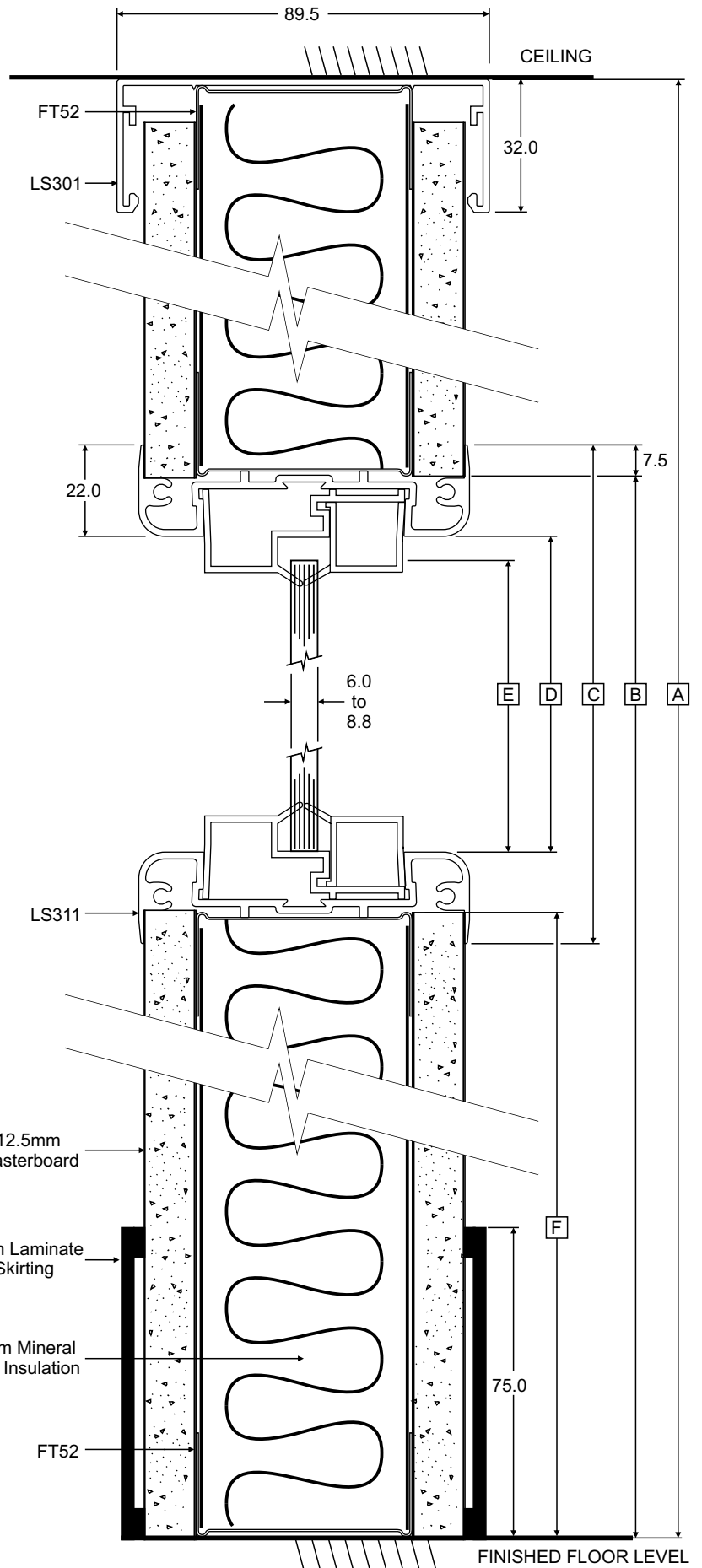
Title:

**75mm Non-Wrap Round Double Glazing Solid /
 Glazed / Solid 30 Min Fire Rated : Elevation**

Optional Detailing



Single Offset Chair & Bead



- Dimension A** = Floor to Ceiling Height
- Dimension B** = Door Height + 43.5mm
- Dimension C** = Dim B - Dim F + 7.5mm
- Dimension D** = Dim C - 44mm (Glazing Aperture)
- Dimension E** = Dim C - 50mm (Actual Glass Size)
- Dimension F** = Dado Height

All dimensions are in mm and are nominal

All glass must conform to BS6262 and guidance provided in Building Regulations Document 'N'

LS301: 75mm Head Channel
 LS311: WR Radius Glazing
 FT52: 52mm Track
 Single Glazing Chair
 Single Glazing Bead



QIC Trims UK Ltd
 Radclive Road,
 Buckingham MK18 4BL
 T: +44 (0) 1280 818 950
 E: sales@qic-trims.com

QIC Trims UK Ltd
COPYRIGHT | 2023

Copyright in this drawing belongs to QIC Trims UK Ltd.
 Neither the whole drawing or part thereof may be reproduced
 without the prior permission in writing of QIC Trims UK Ltd.

Date: 15/12/13

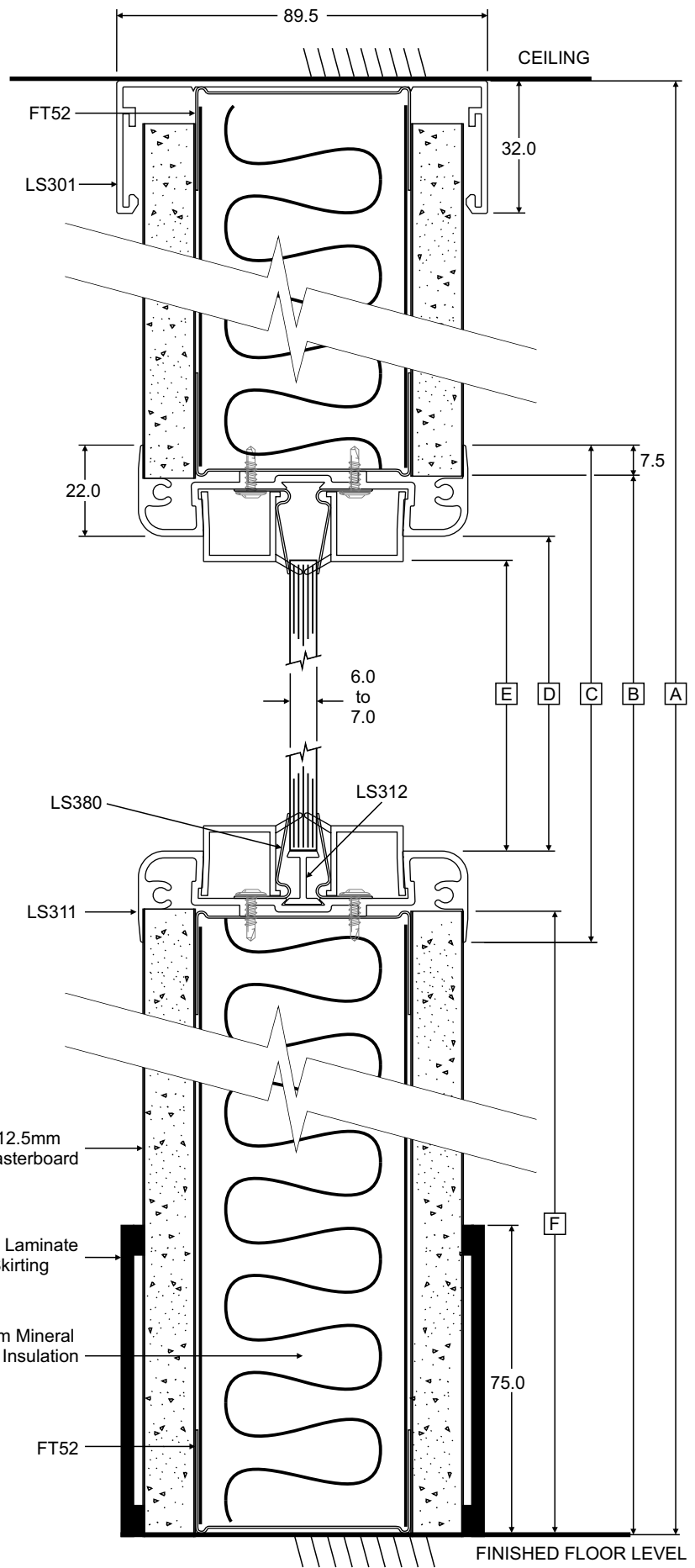
QIC 75

Drawing No:

13-0300-26

Title:

75mm Wrap Round Single Glazing Solid / Glazed / Solid : Elevation



Dimension A = Floor to Ceiling Height
Dimension B = Door Height + 43.5mm
Dimension C = Dim B - Dim F + 7.5mm
Dimension D = Dim C - 44mm (Glazing Aperture)
Dimension E = Dim C - 50mm (Actual Glass Size)
Dimension F = Dado Height

All dimensions are in mm and are nominal

All glass must conform to BS6262 and guidance provided in Building Regulations Document 'N'

12.5mm Plasterboard
 3mm Laminate Skirting
 50mm Mineral Fibre Insulation
 FT52

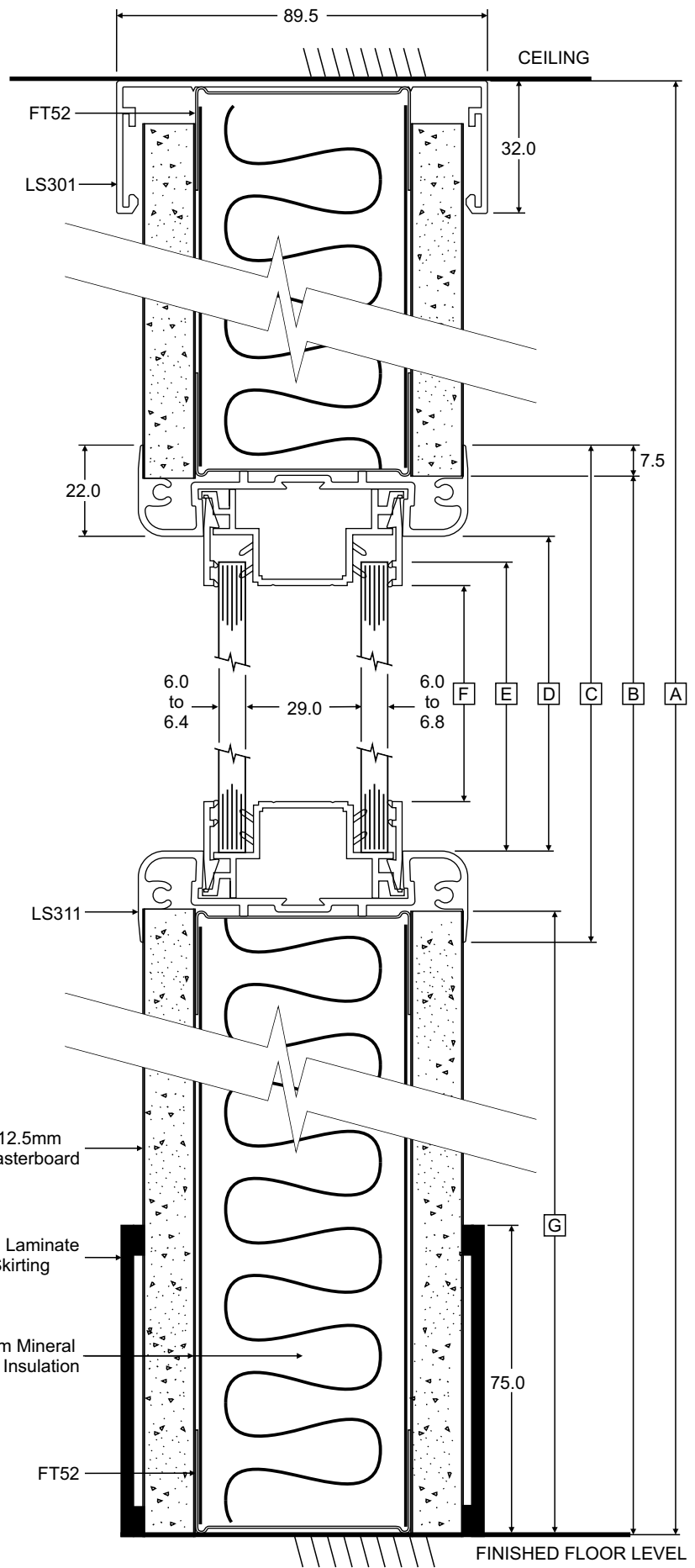
[] LS301: 75mm Head Channel [] LS311: WR Radius Glazing [] FT52: 52mm Track [] Single Glazing Bead [] LS380: Steel Glazing Bead [] LS312: SG FR Glazing 'T'

QIC Trims UK Ltd
 Radclive Road,
 Buckingham MK18 4BL
 T: +44 (0) 1280 818 950
 E: sales@qic-trims.com

© **QIC Trims UK Ltd**
COPYRIGHT | 2023

Copyright in this drawing belongs to QIC Trims UK Ltd.
 Neither the whole drawing or part thereof may be reproduced
 without the prior permission in writing of QIC Trims UK Ltd.

Date: 15/12/13	QIC 75
Drawing No:	13-0300-27
Title: 75mm Solid/Glazed/Solid Wrap Round 30 Min Fire Rated SG: Elevation	



- Dimension A** = Floor to Ceiling Height
- Dimension B** = Door Height + 43.5mm
- Dimension C** = Dim B - Dim G + 7.5mm
- Dimension D** = Dim C - 44mm (Glazing Aperture)
- Dimension E** = Dim C - 50mm (Actual Glass Size)
- Dimension F** = Dim C - 74mm (Blind Aperture)
- Dimension G** = Dado Height

All dimensions are in mm and are nominal

All glass must conform to BS6262 and guidance provided in Building Regulations Document 'N'

- 12.5mm Plasterboard
- 3mm Laminate Skirting
- 50mm Mineral Fibre Insulation
- FT52

 LS301: 75mm Head Channel
 LS311: WR Radius Glazing
 FT52: 52mm Track
 Double Glazing Chair
 Double Glazing Bead

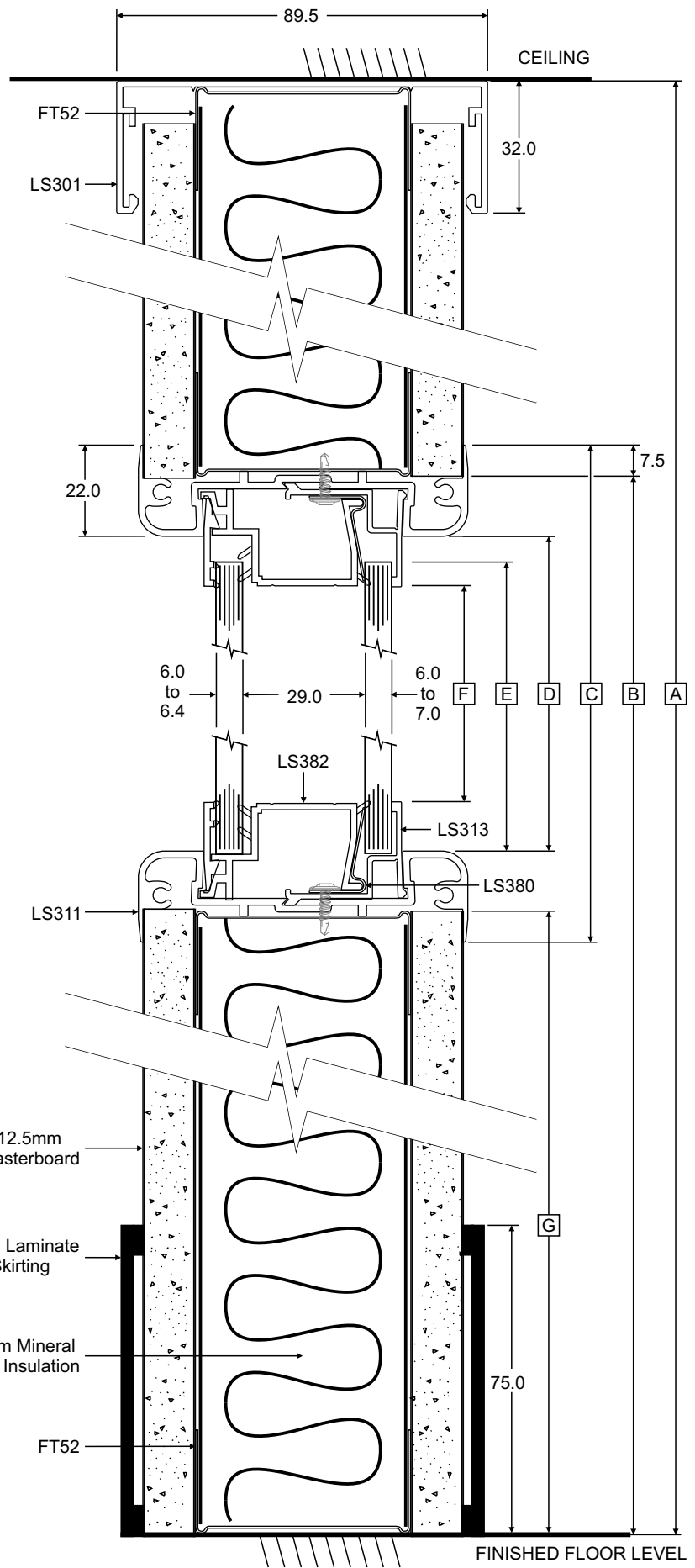


QIC Trims UK Ltd
 Radclive Road,
 Buckingham MK18 4BL
 T: +44 (0) 1280 818 950
 E: sales@qic-trims.com

© QIC Trims UK Ltd
 COPYRIGHT | 2023

Copyright in this drawing belongs to QIC Trims UK Ltd.
 Neither the whole drawing or part thereof may be reproduced
 without the prior permission in writing of QIC Trims UK Ltd.

Date: 15/12/13	QIC 75
Drawing No:	13-0300-28
Title: 75mm Wrap Round Double Glazing Solid / Glazed / Solid : Elevation	



- Dimension A** = Floor to Ceiling Height
- Dimension B** = Door Height + 43.5mm
- Dimension C** = Dim B - Dim G + 7.5mm
- Dimension D** = Dim C - 44mm (Glazing Aperture)
- Dimension E** = Dim C - 50mm (Actual Glass Size)
- Dimension F** = Dim C - 74mm (Blind Aperture)
- Dimension G** = Dado Height

All dimensions are in mm and are nominal

All glass must conform to BS6262 and guidance provided in Building Regulations Document 'N'

- 12.5mm Plasterboard
- 3mm Laminate Skirting
- 50mm Mineral Fibre Insulation
- FT52

[] LS301: 75mm Head Channel
[] LS311: WR Radius Glazing
[] FT52: 52mm Track
[] LS380: Steel Glazing Bead
[] LS313: DG FR Glazing Chair
[] LS382: PVC FR Glazing Chair
[] Double Glazing Bead



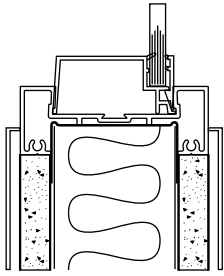
QIC Trims UK Ltd
 Radclive Road,
 Buckingham MK18 4BL
 T: +44 (0) 1280 818 950
 E: sales@qic-trims.com

© **QIC Trims UK Ltd**
COPYRIGHT | 2023

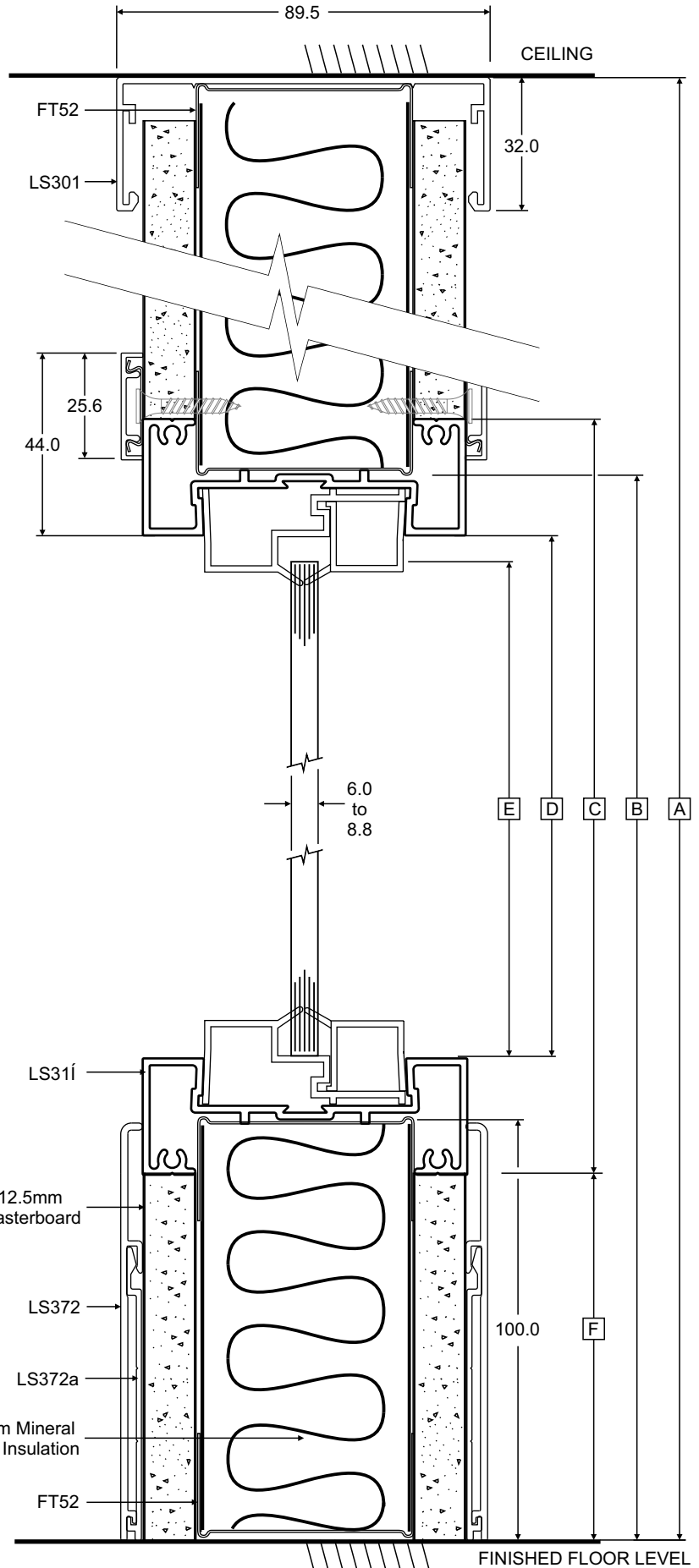
Copyright in this drawing belongs to QIC Trims UK Ltd.
 Neither the whole drawing or part thereof may be reproduced
 without the prior permission in writing of QIC Trims UK Ltd.

Date: 15/12/13	QIC 75
Drawing No:	13-0300-29
Title: 75mm Wrap Round Double Glazing Solid / Glazed / Solid - 30 Min Fire Rated: Elevation	

Optional Detailing



Offset Glazing Chair & Bead



- Dimension A** = Floor to Ceiling Height
- Dimension B** = Door Height + 19mm
- Dimension C** = Door Height - 54mm (Frame Height)
- Dimension D** = Dim C - 56mm (Glazing Aperture)
- Dimension E** = Dim C - 62mm (Actual Glass Size)
- Dimension F** = Skirting Height - 14mm

All dimensions are in mm and are nominal

All glass must conform to BS6262 and guidance provided in Building Regulations Document 'N'

- LS301: 75mm Head Channel
- LS311: NWR Glazing
- FT52: 52mm Track
- LS355: NWR Cover Trim
- Clamping Strip
- Single Glazing Chair
- Single Glazing Bead
- LS372: 100mm Skirting
- LS372: Skirting Clip



QIC Trims UK Ltd
 Radclive Road,
 Buckingham MK18 4BL
 T: +44 (0) 1280 818 950
 E: sales@qic-trims.com

© QIC Trims UK Ltd
COPYRIGHT | 2023

Copyright in this drawing belongs to QIC Trims UK Ltd.
 Neither the whole drawing or part thereof may be reproduced
 without the prior permission in writing of QIC Trims UK Ltd.

Date: 15/12/13

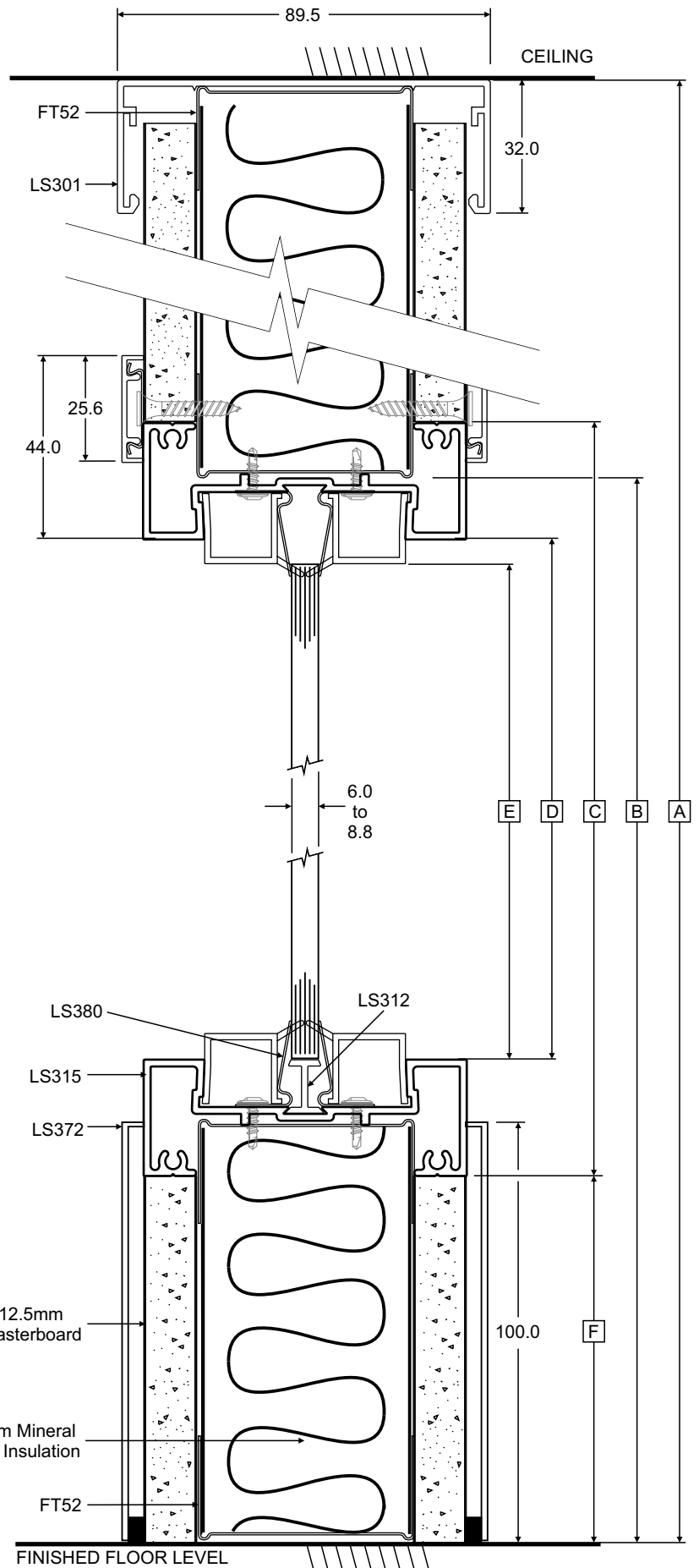
QIC 75

Drawing No:

13-0300-30

Title:

**75mm Non-Wrap Round Single Glazing
 Glazed to Door Head : Elevation**



- Dimension A** = Floor to Ceiling Height
- Dimension B** = Door Height + 19mm
- Dimension C** = Door Height - 54mm (Frame Height)
- Dimension D** = Dim C - 56mm (Glazing Aperture)
- Dimension E** = Dim C - 62mm (Actual Glass Size)
- Dimension F** = Skirting Height - 14mm

All dimensions are in mm and are nominal

All glass must conform to BS6262 and guidance provided in Building Regulations Document 'N'

- 12.5mm Plasterboard
- 50mm Mineral Fibre Insulation
- FT52

 LS301: 75mm Head Channel
 LS315: NWR Square Glazing
 FT52: 52mm Track
 LS355: NWR Cover Trim
 Clamping Strip
 Single Glazing Bead
 LS380: Steel Glazing Bead
 LS312: SG FR Glazing 'T'
 LS372: Skirting



QIC Trims UK Ltd
 Radclive Road,
 Buckingham MK18 4BL
 T: +44 (0) 1280 818 950
 E: sales@qic-trims.com

© **QIC Trims UK Ltd**
COPYRIGHT | 2023

Copyright in this drawing belongs to QIC Trims UK Ltd.
 Neither the whole drawing or part thereof may be reproduced
 without the prior permission in writing of QIC Trims UK Ltd.

Date: 15/12/13

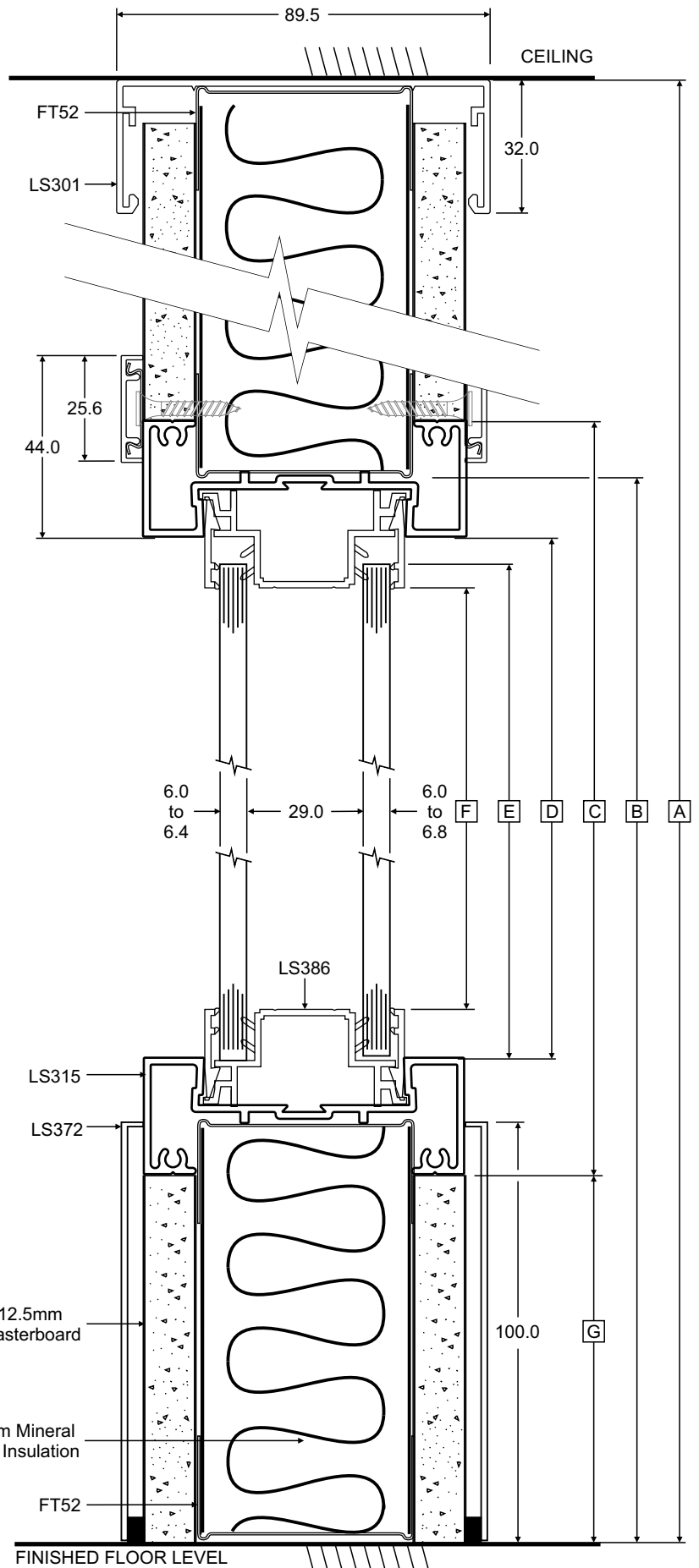
QIC 75

Drawing No:

13-0300-31

Title:

**75mm Non-Wrap Round Single Glazing Glazed to
 Door Head 30 Min Fire rated: Elevation**



- Dimension A** = Floor to Ceiling Height
- Dimension B** = Door Height + 19mm
- Dimension C** = Door Height - 54mm (Frame Height)
- Dimension D** = Dim C - 56mm (Glazing Aperture)
- Dimension E** = Dim C - 62mm (Actual Glass Size)
- Dimension F** = Dim C - 86mm (Blind Aperture)
- Dimension G** = Skirting Height - 14mm

All dimensions are in mm and are nominal

All glass must conform to BS6262 and guidance provided in Building Regulations Document 'N'

12.5mm
Plasterboard

50mm Mineral
Fibre Insulation

- LS301: 75mm Head Channel
- LS315: NWR Square Glazing
- FT52: 52mm Track
- LS355: NWR Cover Trim
- Clamping Strip
- Double Glazing Chair
- Double Glazing Bead
- LS372: Skirting



QIC Trims UK Ltd
Radclyffe Road,
Buckingham MK18 4BL
T: +44 (0) 1280 818 950
E: sales@qic-trims.com



QIC Trims UK Ltd
COPYRIGHT | 2023

Copyright in this drawing belongs to QIC Trims UK Ltd.
Neither the whole drawing or part thereof may be reproduced
without the prior permission in writing of QIC Trims UK Ltd.

Date: 15/12/13

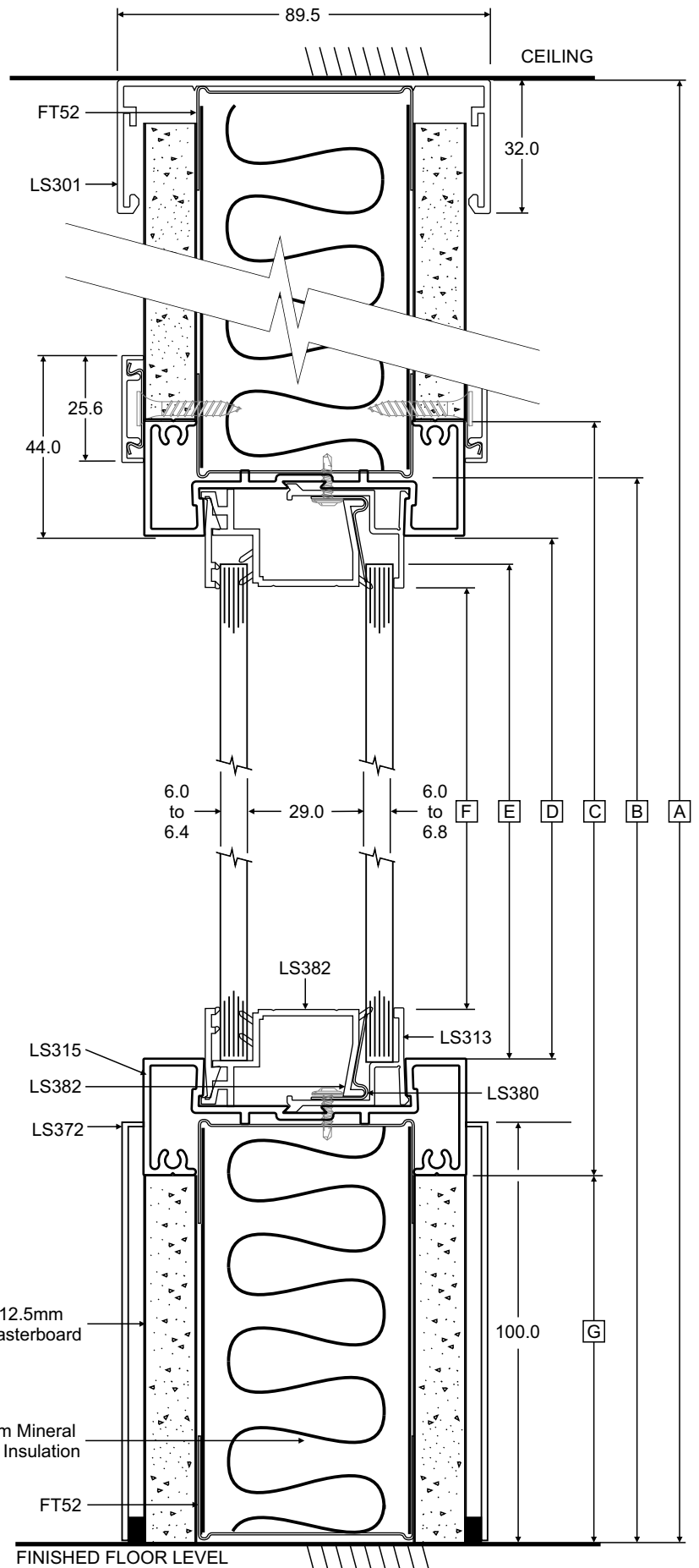
QIC 75

Drawing No:

13-0300-32

Title:

**75mm Non-Wrap Round Double Glazing
Glazed to Door Head : Elevation**



- Dimension A** = Floor to Ceiling Height
- Dimension B** = Door Height + 19mm
- Dimension C** = Door Height - 54mm (Frame Height)
- Dimension D** = Dim C - 56mm (Glazing Aperture)
- Dimension E** = Dim C - 62mm (Actual Glass Size)
- Dimension F** = Dim C - 86mm (Blind Aperture)
- Dimension G** = Skirting Height - 14mm

All dimensions are in mm and are nominal

All glass must conform to BS6262 and guidance provided in Building Regulations Document 'N'

12.5mm
Plasterboard

50mm Mineral
Fibre Insulation

FT52

- LS301: 75mm Head Channel
- LS315: NWR Square Glazing
- FT52: 52mm Track
- LS355: NWR Cover Trim
- Clamping Strip
- LS380: Steel Glazing Bead
- LS313: DG FR Glazing Chair
- LS382: PVC FR Glazing Chair
- Double Glazing Bead
- LS372: Skirting



QIC Trims UK Ltd
 Radcliffe Road,
 Buckingham MK18 4BL
 T: +44 (0) 1280 818 950
 E: sales@qic-trims.com

© **QIC Trims UK Ltd**
COPYRIGHT | 2023

Copyright in this drawing belongs to QIC Trims UK Ltd.
 Neither the whole drawing or part thereof may be reproduced
 without the prior permission in writing of QIC Trims UK Ltd.

Date: 15/12/13

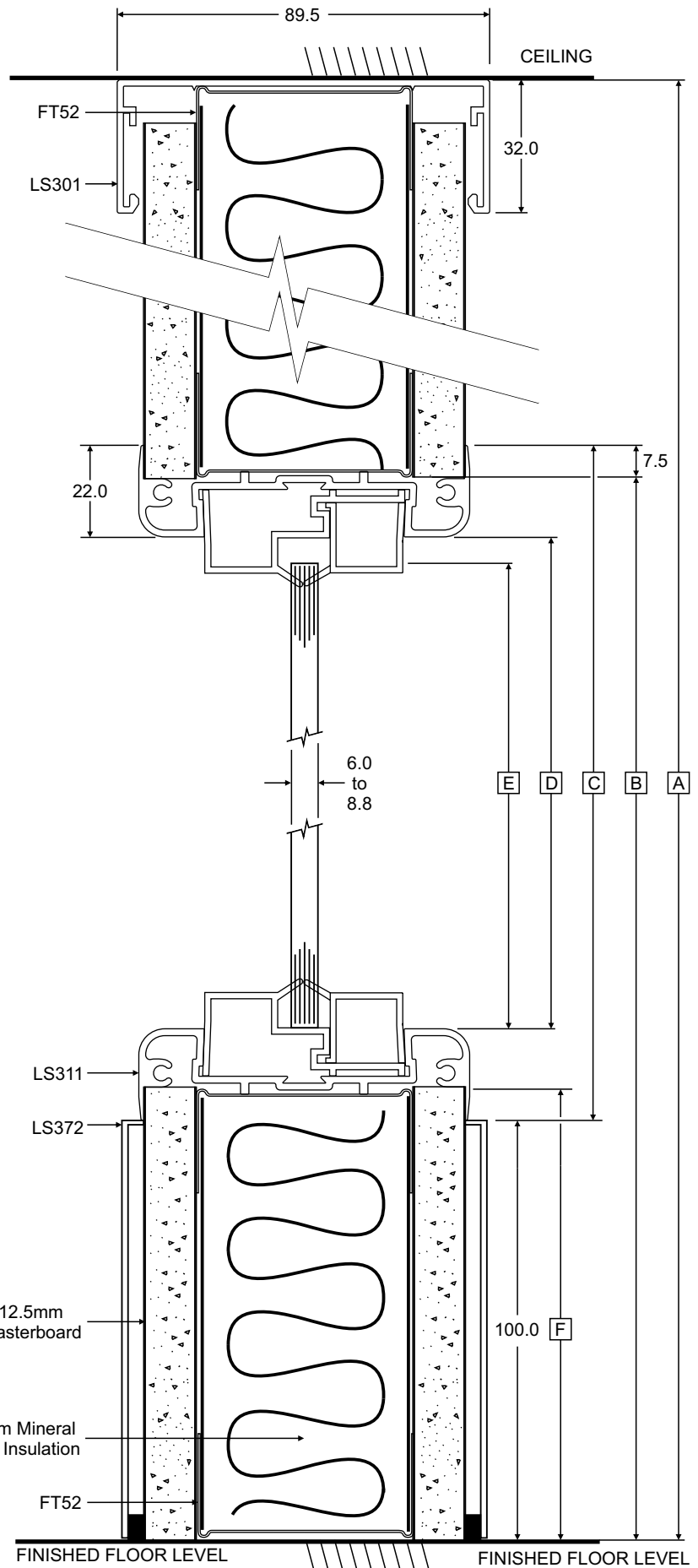
QIC 75

Drawing No:

13-0300-33

Title:

**75mm Non-Wrap Round Double Glazing Glazed
 to Door Head 30 Min Fire Rated: Elevation**



Dimension A = Floor to Ceiling Height
Dimension B = Door Height + 43.5mm
Dimension C = Door Height - 49mm (Frame Height)
Dimension D = Dim C - 44mm (Glazing Aperture)
Dimension E = Dim C - 50mm (Actual Glass Size)
Dimension F = Skirting Height + 7.5mm

All dimensions are in mm and are nominal

All glass must conform to BS6262 and guidance provided in Building Regulations Document 'N'

- LS301: 75mm Head Channel
- LS311: WR Radius Glazing
- FT52: 52mm Track
- LS355: NWR Cover Trim
- Clamping Strip
- Single Glazing Chair
- Single Glazing Bead
- LS372: Skirting



QIC Trims UK Ltd
 Radclive Road,
 Buckingham MK18 4BL
 T: +44 (0) 1280 818 950
 E: sales@qic-trims.com

© QIC Trims UK Ltd
 COPYRIGHT | 2023

Copyright in this drawing belongs to QIC Trims UK Ltd.
 Neither the whole drawing or part thereof may be reproduced
 without the prior permission in writing of QIC Trims UK Ltd.

Date: 15/12/13

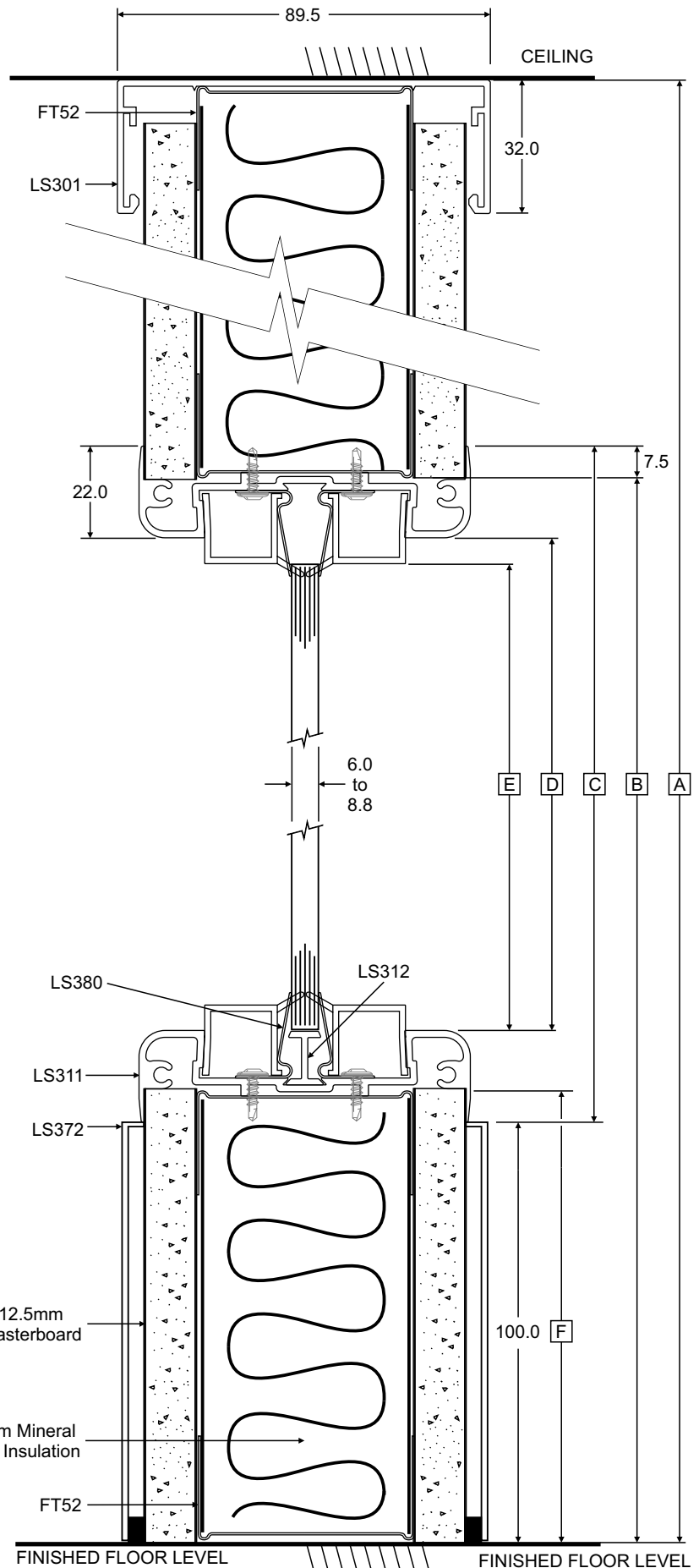
QIC 75

Drawing No:

13-0300-34

Title:

75mm Wrap Round Single Glazing - Glazed to Door Head : Elevation



- Dimension A** = Floor to Ceiling Height
- Dimension B** = Door Height + 43.5mm
- Dimension C** = Door Height - 49mm (Frame Height)
- Dimension D** = Dim C - 44mm (Glazing Aperture)
- Dimension E** = Dim C - 50mm (Actual Glass Size)
- Dimension F** = Skirting Height + 7.5mm

All dimensions are in mm and are nominal

All glass must conform to BS6262 and guidance provided in Building Regulations Document 'N'

- 12.5mm Plasterboard
- 50mm Mineral Fibre Insulation
- FT52

100.0 F

 LS301: 75mm Head Channel
 LS311: WR Radius Glazing
 FT52: 52mm Track
 LS355: NWR Cover Trim
 Clamping Strip
 Single Glazing Bead
 LS380: Steel Glazing Bead
 LS312: SG FR Glazing 'T'
 LS372: Skirting



QIC Trims UK Ltd
 Radclive Road,
 Buckingham MK18 4BL
 T: +44 (0) 1280 818 950
 E: sales@qic-trims.com

© QIC Trims UK Ltd
 COPYRIGHT | 2023

Copyright in this drawing belongs to QIC Trims UK Ltd.
 Neither the whole drawing or part thereof may be reproduced
 without the prior permission in writing of QIC Trims UK Ltd.

Date: 15/12/13

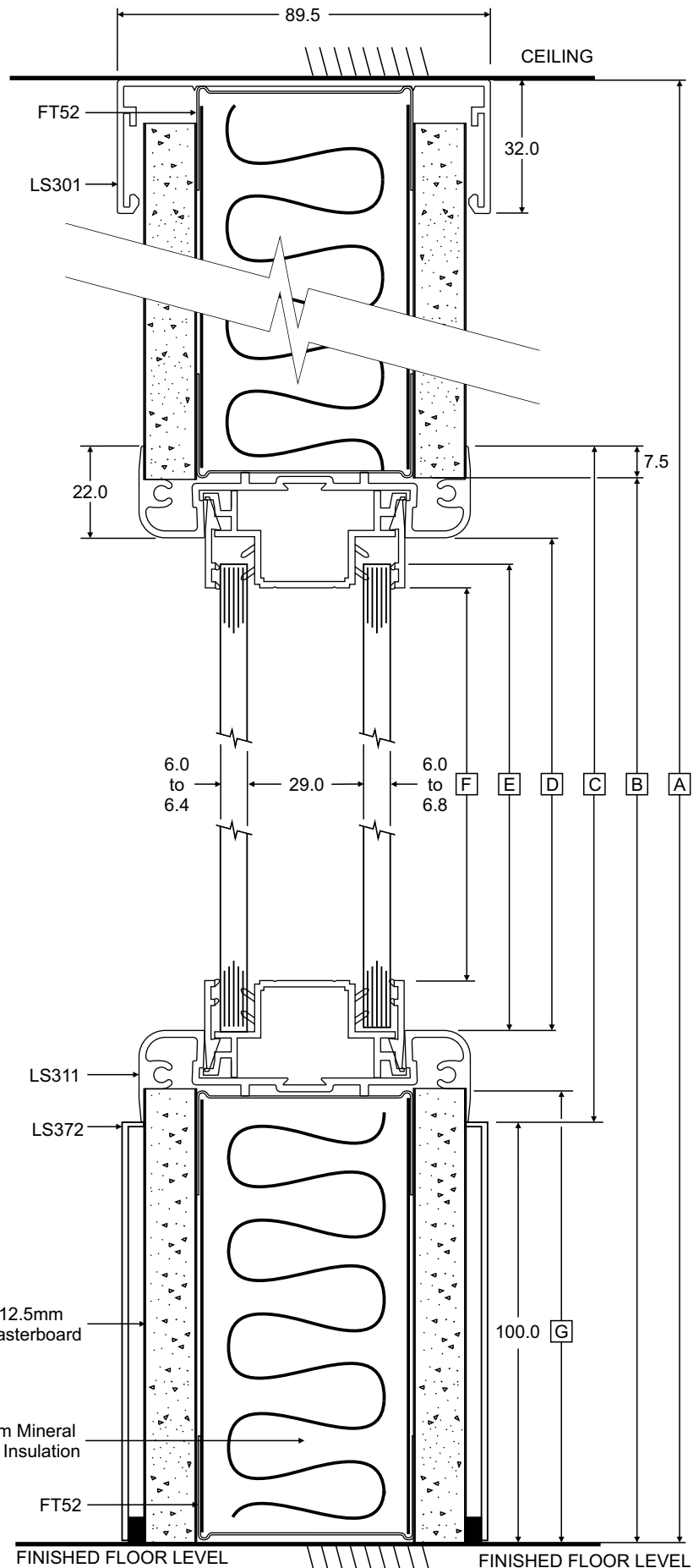
QIC 75

Drawing No:

13-0300-35

Title:

75mm Wrap Round Single Glazing - Glazed to Door Head 30 Min Fire Rated : Elevation



- Dimension A** = Floor to Ceiling Height
- Dimension B** = Door Height + 43.5mm
- Dimension C** = Door Height - 49mm (Frame Height)
- Dimension D** = Dim C - 44mm (Glazing Aperture)
- Dimension E** = Dim C - 50mm (Actual Glass Size)
- Dimension F** = Dim C - 74mm (Blind Aperture)
- Dimension G** = Skirting Height + 7.5mm

All dimensions are in mm and are nominal

All glass must conform to BS6262 and guidance provided in Building Regulations Document 'N'

12.5mm
Plasterboard

50mm Mineral
Fibre Insulation

FT52

100.0 [G]

- [] LS301: 75mm Head Channel
- [] LS311: WR Radius Glazing
- [] FT52: 52mm Track
- [] LS355: NWR Cover Trim
- [] Clamping Strip
- [] Double Glazing Chair
- [] Double Glazing Bead
- [] LS372: Skirting



QIC Trims UK Ltd
Radclyve Road,
Buckingham MK18 4BL
T: +44 (0) 1280 818 950
E: sales@qic-trims.com



QIC Trims UK Ltd
COPYRIGHT | 2023

Copyright in this drawing belongs to QIC Trims UK Ltd.
Neither the whole drawing or part thereof may be reproduced
without the prior permission in writing of QIC Trims UK Ltd.

Date: 15/12/13

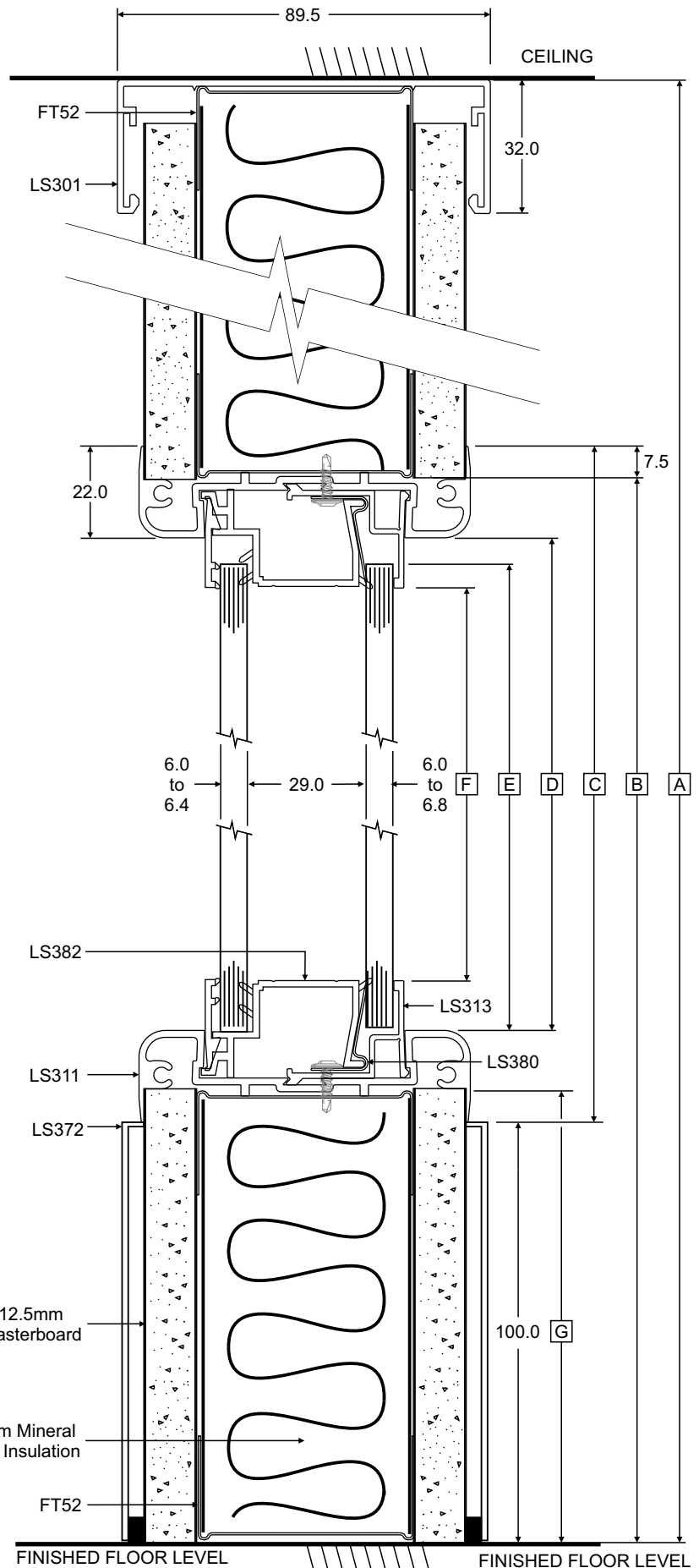
QIC 75

Drawing No:

13-0300-36

Title:

75mm Wrap Round Double Glazing - Glazed to Door Head : Elevation



- Dimension A** = Floor to Ceiling Height
- Dimension B** = Door Height + 43.5mm
- Dimension C** = Door Height - 49mm (Frame Height)
- Dimension D** = Dim C - 44mm (Glazing Aperture)
- Dimension E** = Dim C - 50mm (Actual Glass Size)
- Dimension F** = Dim C - 74mm (Blind Aperture)
- Dimension G** = Skirting Height + 7.5mm

All dimensions are in mm and are nominal

All glass must conform to BS6262 and guidance provided in Building Regulations Document 'N'

12.5mm
Plasterboard

50mm Mineral
Fibre Insulation

FT52

- LS301: 75mm Head Channel
- LS311: WR Radius Glazing
- FT52: 52mm Track
- LS355: NWR Cover Trim
- Clamping Strip
- LS380: Steel Glazing Bead
- LS313: DG FR Glazing Chair
- LS382: PVC FR Glazing Chair
- Double Glazing Bead
- LS372: Skirting



QIC Trims UK Ltd
 Radcliffe Road,
 Buckingham MK18 4BL
 T: +44 (0) 1280 818 950
 E: sales@qic-trims.com



QIC Trims UK Ltd
COPYRIGHT | 2023

Copyright in this drawing belongs to QIC Trims UK Ltd.
 Neither the whole drawing or part thereof may be reproduced
 without the prior permission in writing of QIC Trims UK Ltd.

Date: 15/12/13

QIC 75

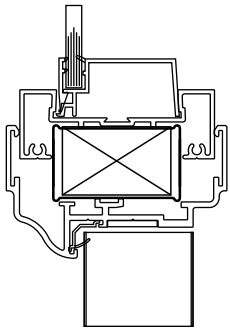
Drawing No:

13-0300-37

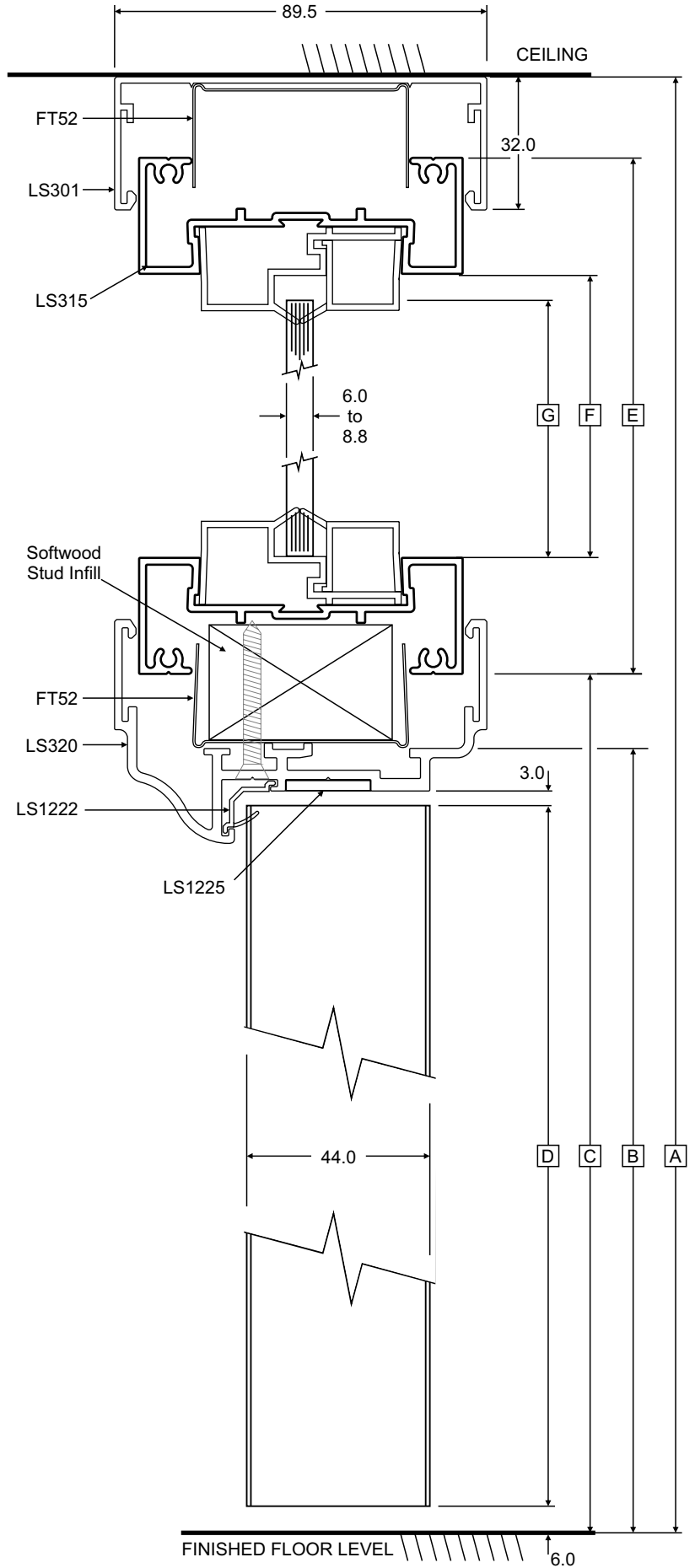
Title:

75mm Wrap Round Double Glazing - Glazed to Door Head 30 Min Fire Rated : Elevation

Optional Detailing



Single Offset Chair & Bead



- Dimension A** = Floor to Ceiling Height
- Dimension B** = Dim D (Door Height) + 19mm
- Dimension C** = Dim D (Door Height) + 37mm
- Dimension D** = Door Height
- Dimension E** = Dim A - Dim C - 19.5mm
- Dimension F** = Dim E - 56mm (Glazing Aperture)
- Dimension G** = Dim E - 62mm (Actual Glass Size)

All dimensions are in mm and are nominal

All glass must conform to BS6262 and guidance provided in Building Regulations Document 'N'

NOTE: FD30 minute fire rated door assemblies must be fitted with Intumescent Strip (LS1225) and a suitable door closer.

LS301: 75mm Head Channel
 LS315: NWR Square Glazing
 LS320: 75mm Door Frame
 FT52: 52mm Track
 Single Glazing Chair
 Single Glazing Bead



QIC Trims UK Ltd
 Radclive Road,
 Buckingham MK18 4BL
 T: +44 (0) 1280 818 950
 E: sales@qic-trims.com



QIC Trims UK Ltd
COPYRIGHT | 2023

Copyright in this drawing belongs to QIC Trims UK Ltd.
 Neither the whole drawing or part thereof may be reproduced
 without the prior permission in writing of QIC Trims UK Ltd.

Date: 15/12/13

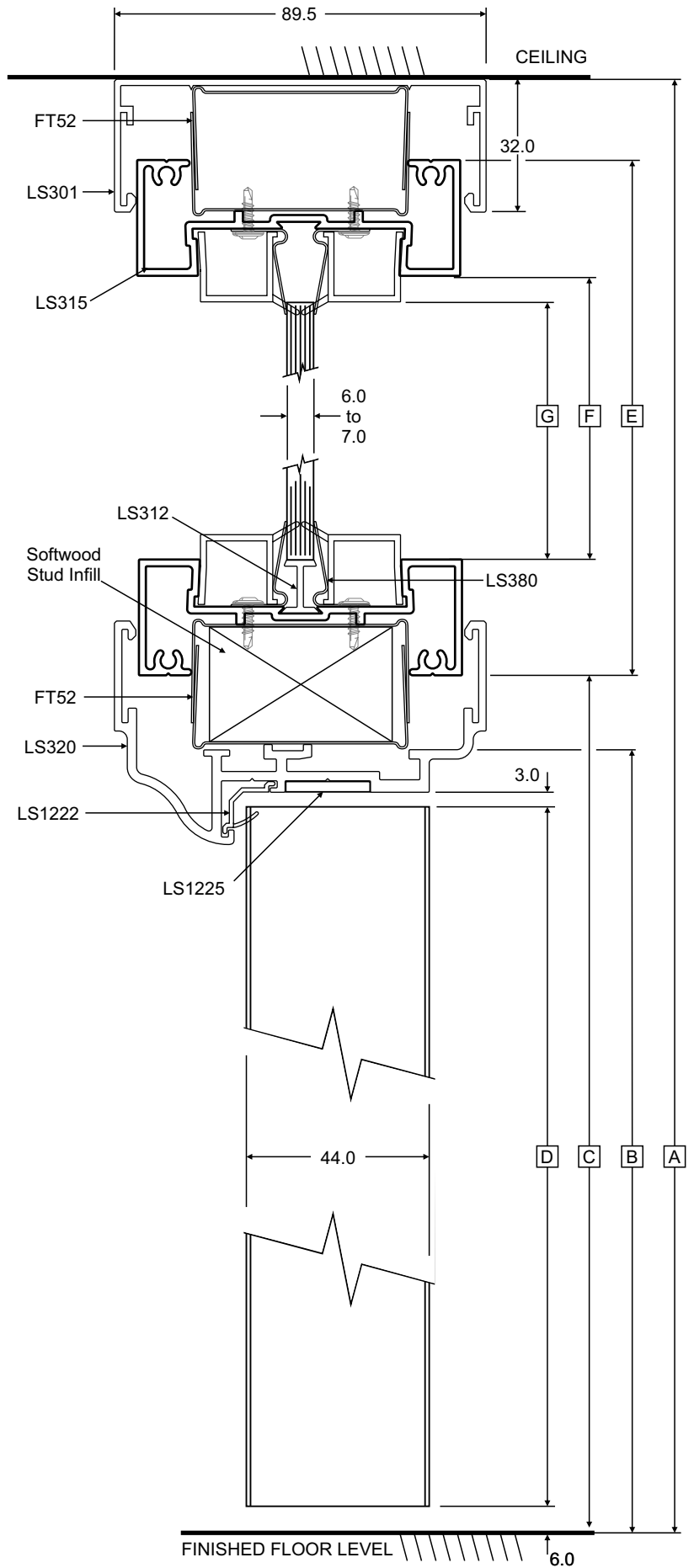
QIC 75

Drawing No:

13-0300-38

Title:

**75mm Single Door Frame - Non Wrap
 Round Single Glazing Above: Elevation**



- Dimension A** = Floor to Ceiling Height
- Dimension B** = Dim D (Door Height) + 19mm
- Dimension C** = Dim D (Door Height) + 37mm
- Dimension D** = Door Height
- Dimension E** = Dim A - Dim C - 19.5mm
- Dimension F** = Dim E - 56mm (Glazing Aperture)
- Dimension G** = Dim E - 62mm (Actual Glass Size)

All dimensions are in mm and are nominal

All glass must conform to BS6262 and guidance provided in Building Regulations Document 'N'

NOTE: FD30 minute fire rated door assemblies must be fitted with Intumescent Strip (LS1225) and a suitable door closer.

 LS301: 75mm Head Channel
 LS315: NWR Square Glazing
 LS320: 75mm Door Frame
 FT52: 52mm Track
 Single Glazing Bead
 LS380: Steel Glazing Bead
 LS312: SG FR Glazing 'T'



QIC Trims UK Ltd
 Radclive Road,
 Buckingham MK18 4BL
 T: +44 (0) 1280 818 950
 E: sales@qic-trims.com



QIC Trims UK Ltd
COPYRIGHT | 2023

Copyright in this drawing belongs to QIC Trims UK Ltd.
 Neither the whole drawing or part thereof may be reproduced
 without the prior permission in writing of QIC Trims UK Ltd.

Date: 15/12/13

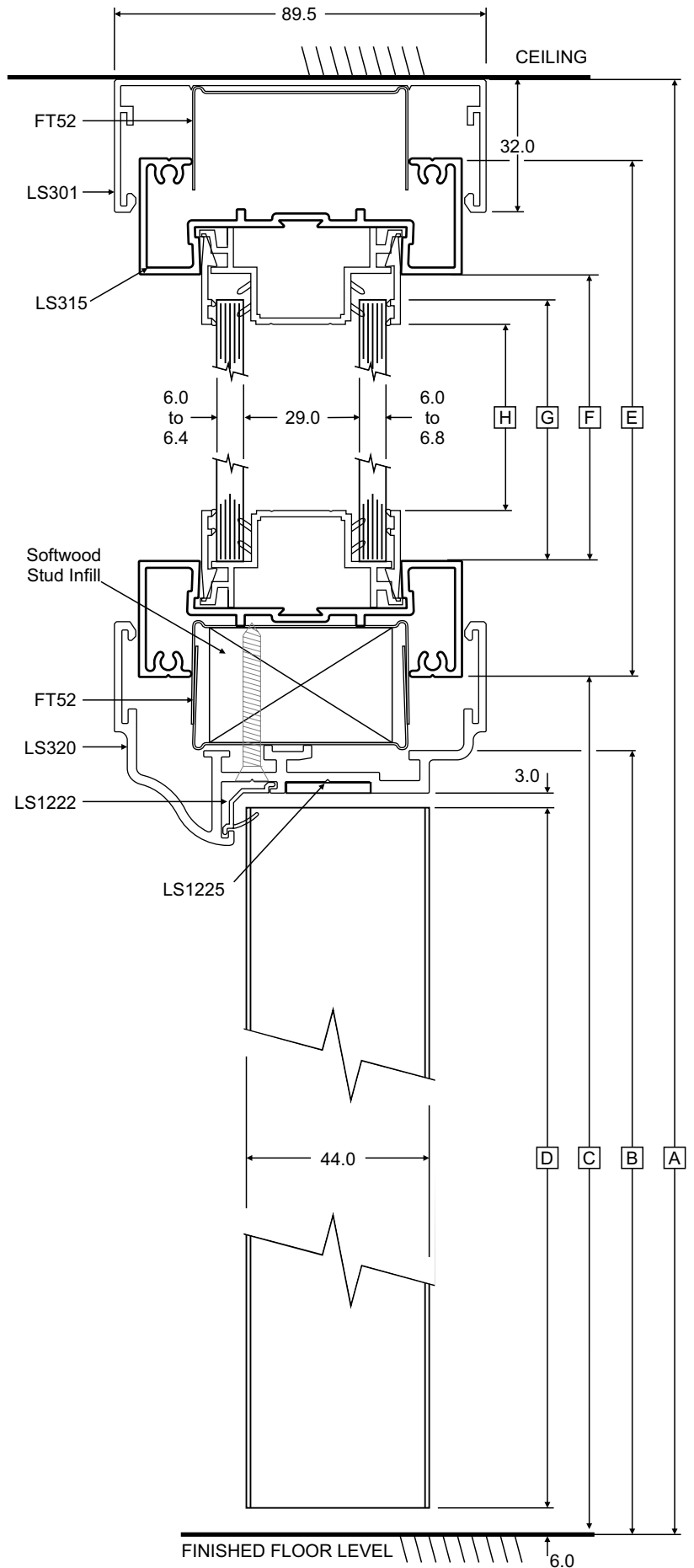
QIC 75

Drawing No:

13-0300-39

Title:

**75mm Single Door Frame - Non Wrap Round
 SG Above 30 Min Fire Rated: Elevation**



- Dimension A** = Floor to Ceiling Height
- Dimension B** = Dim D (Door Height) + 19mm
- Dimension C** = Dim D (Door Height) + 37mm
- Dimension D** = Door Height
- Dimension E** = Dim A - Dim C - 19.5mm
- Dimension F** = Dim E - 56mm (Glazing Aperture)
- Dimension G** = Dim E - 62mm (Actual Glass Size)
- Dimension H** = Dim E - 86mm (Blind Aperture)

All dimensions are in mm and are nominal

All glass must conform to BS6262 and guidance provided in Building Regulations Document 'N'

NOTE: FD30 minute fire rated door assemblies must be fitted with Intumescent Strip (LS1225) and a suitable door closer.

 LS301: 75mm Head Channel
 LS315: NWR Square Glazing
 LS320: 75mm Door Frame
 FT52: 52mm Track
 Double Glazing Chair
 Double Glazing Bead



QIC Trims UK Ltd
 Radclive Road,
 Buckingham MK18 4BL
 T: +44 (0) 1280 818 950
 E: sales@qic-trims.com



QIC Trims UK Ltd
COPYRIGHT | 2023

Copyright in this drawing belongs to QIC Trims UK Ltd.
 Neither the whole drawing or part thereof may be reproduced
 without the prior permission in writing of QIC Trims UK Ltd.

Date: 15/12/13

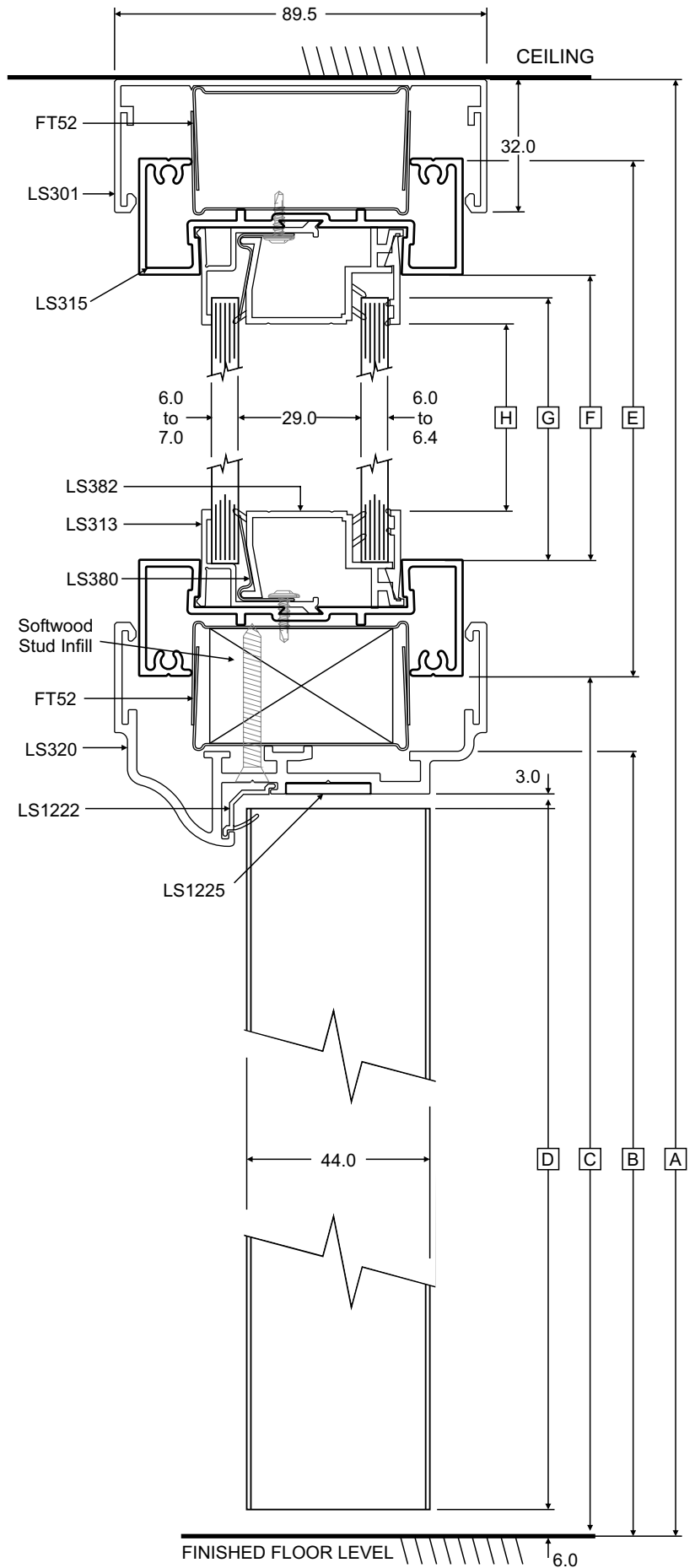
QIC 75

Drawing No:

13-0300-40

Title:

**75mm Single Door Frame - Non Wrap Round
 Double Glazing Above: Elevation**



- Dimension A** = Floor to Ceiling Height
- Dimension B** = Dim D (Door Height) + 19mm
- Dimension C** = Dim D (Door Height) + 37mm
- Dimension D** = Door Height
- Dimension E** = Dim A - Dim C - 19.5mm
- Dimension F** = Dim E - 56mm (Glazing Aperture)
- Dimension G** = Dim E - 62mm (Actual Glass Size)
- Dimension H** = Dim E - 86mm (Blind Aperture)

All dimensions are in mm and are nominal

All glass must conform to BS6262 and guidance provided in Building Regulations Document 'N'

NOTE: FD30 minute fire rated door assemblies must be fitted with Intumescent Strip (LS1225) and a suitable door closer.

- LS301: 75mm Head Channel
- LS315: NWR Square Glazing
- LS320: 75mm Door Frame
- FT52: 52mm Track
- LS380: Steel Glazing Bead
- LS313: DG FR Glazing Chair
- LS382: PVC FR Glazing Chair
- Double Glazing Bead



QIC Trims UK Ltd
 Radcliffe Road,
 Buckingham MK18 4BL
 T: +44 (0) 1280 818 950
 E: sales@qic-trims.com

© QIC Trims UK Ltd
COPYRIGHT | 2023

Copyright in this drawing belongs to QIC Trims UK Ltd.
 Neither the whole drawing or part thereof may be reproduced
 without the prior permission in writing of QIC Trims UK Ltd.

Date: 15/12/13

QIC 75

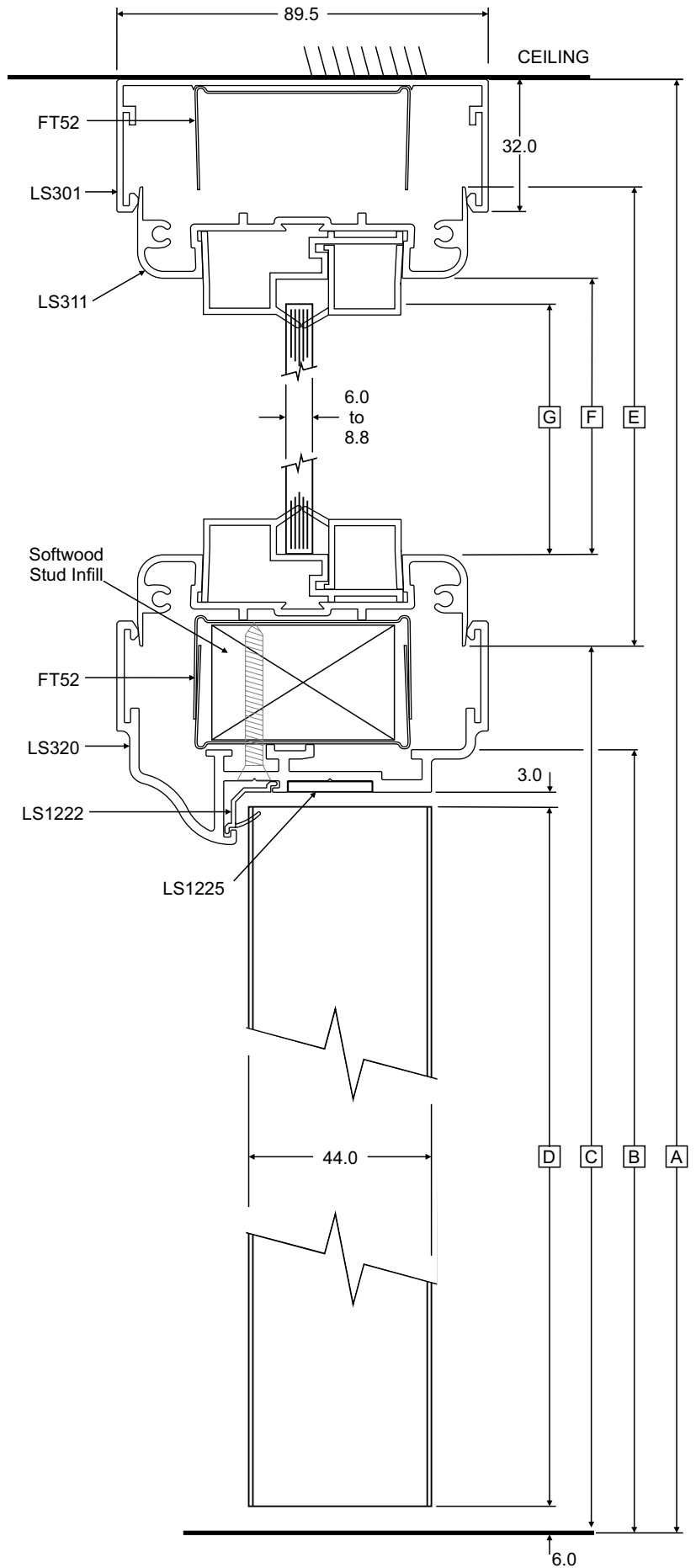
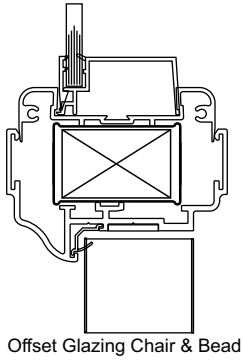
Drawing No:

13-0300-41

Title:

**75mm Single Door Frame - Non Wrap Round
 Double Glazing Above 30 Min Fire Rated: Elevation**

Optional Detailing



- Dimension A** = Floor to Ceiling Height
- Dimension B** = Dim D (Door Height) + 19mm
- Dimension C** = Dim D (Door Height) + 44mm
- Dimension D** = Door Height
- Dimension E** = Dim A - Dim C - 26mm
- Dimension F** = Dim E - 44mm (Glazing Aperture)
- Dimension G** = Dim E - 50mm (Actual Glass Size)

All dimensions are in mm and are nominal

All glass must conform to BS6262 and guidance provided in Building Regulations Document 'N'

NOTE: FD30 minute fire rated door assemblies must be fitted with Intumescent Strip (LS1225) and a suitable door closer.

LS301: 75mm Head Channel
 LS311: WR Radius Glazing
 LS320: 75mm Door Frame
 FT52: 52mm Track
 Single Glazing Chair
 Single Glazing Bead



QIC Trims UK Ltd
 Radclive Road,
 Buckingham MK18 4BL
 T: +44 (0) 1280 818 950
 E: sales@qic-trims.com

QIC Trims UK Ltd
COPYRIGHT | 2023

Copyright in this drawing belongs to QIC Trims UK Ltd.
 Neither the whole drawing or part thereof may be reproduced
 without the prior permission in writing of QIC Trims UK Ltd.

Date: 15/12/13

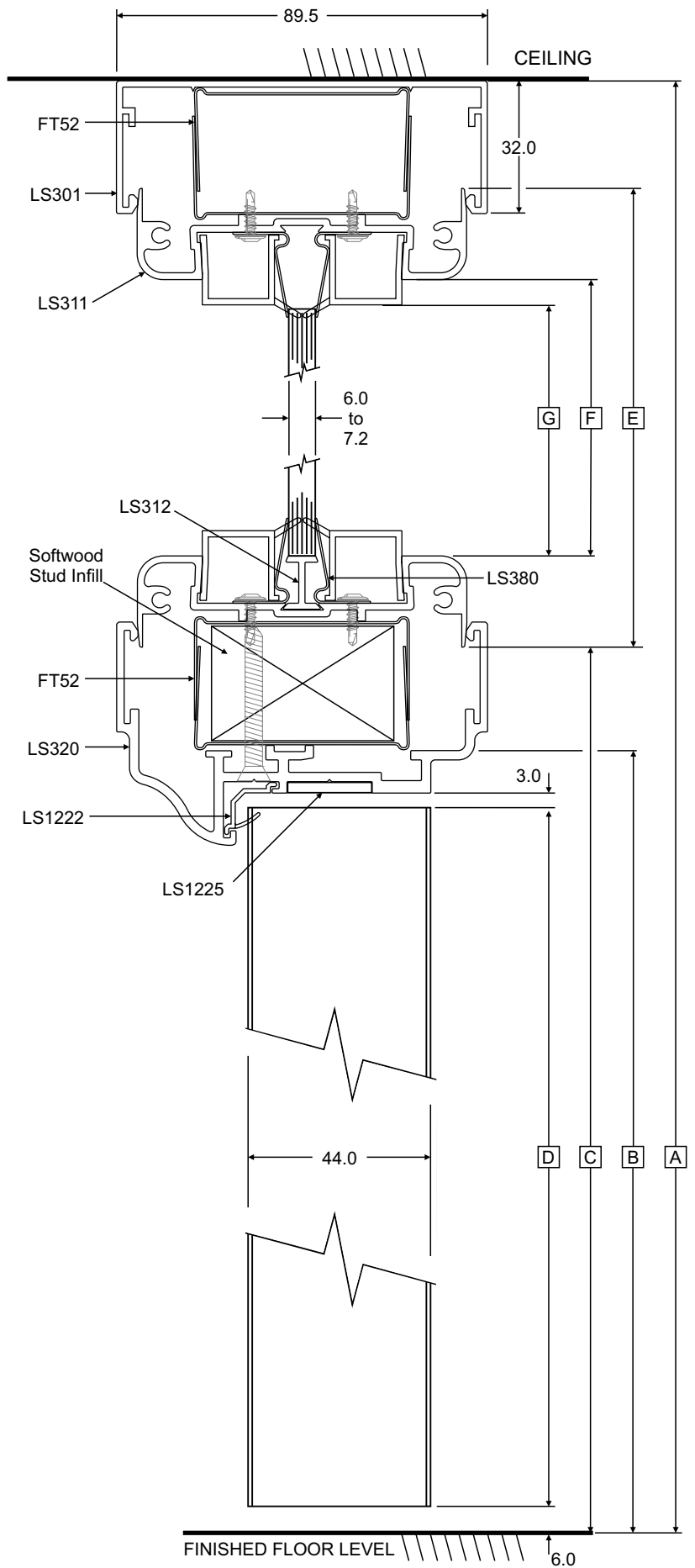
QIC 75

Drawing No:

13-0300-42

Title:

75mm Single Door Frame - Wrap Round
Single Glazing Above: Elevation



- Dimension A** = Floor to Ceiling Height
- Dimension B** = Dim D (Door Height) + 19mm
- Dimension C** = Dim D (Door Height) + 44mm
- Dimension D** = Door Height
- Dimension E** = Dim A - Dim C - 26mm
- Dimension F** = Dim E - 44mm (Glazing Aperture)
- Dimension G** = Dim E - 50mm (Actual Glass Size)

All dimensions are in mm and are nominal

All glass must conform to BS6262 and guidance provided in Building Regulations Document 'N'

NOTE: FD30 minute fire rated door assemblies must be fitted with Intumescent Strip (LS1225) and a suitable door closer.

[] LS301: 75mm Head Channel
[] LS311: WR Radius Glazing
[] LS320: 75mm Door Frame
[] FT52: 52mm Track
[] Single Glazing Bead
[] LS380: Steel Glazing Bead
[] LS312: SG FR Glazing 'T'



QIC Trims UK Ltd
 Radclive Road,
 Buckingham MK18 4BL
 T: +44 (0) 1280 818 950
 E: sales@qic-trims.com



QIC Trims UK Ltd
COPYRIGHT | 2023

Copyright in this drawing belongs to QIC Trims UK Ltd.
 Neither the whole drawing or part thereof may be reproduced
 without the prior permission in writing of QIC Trims UK Ltd.

Date: 15/12/13

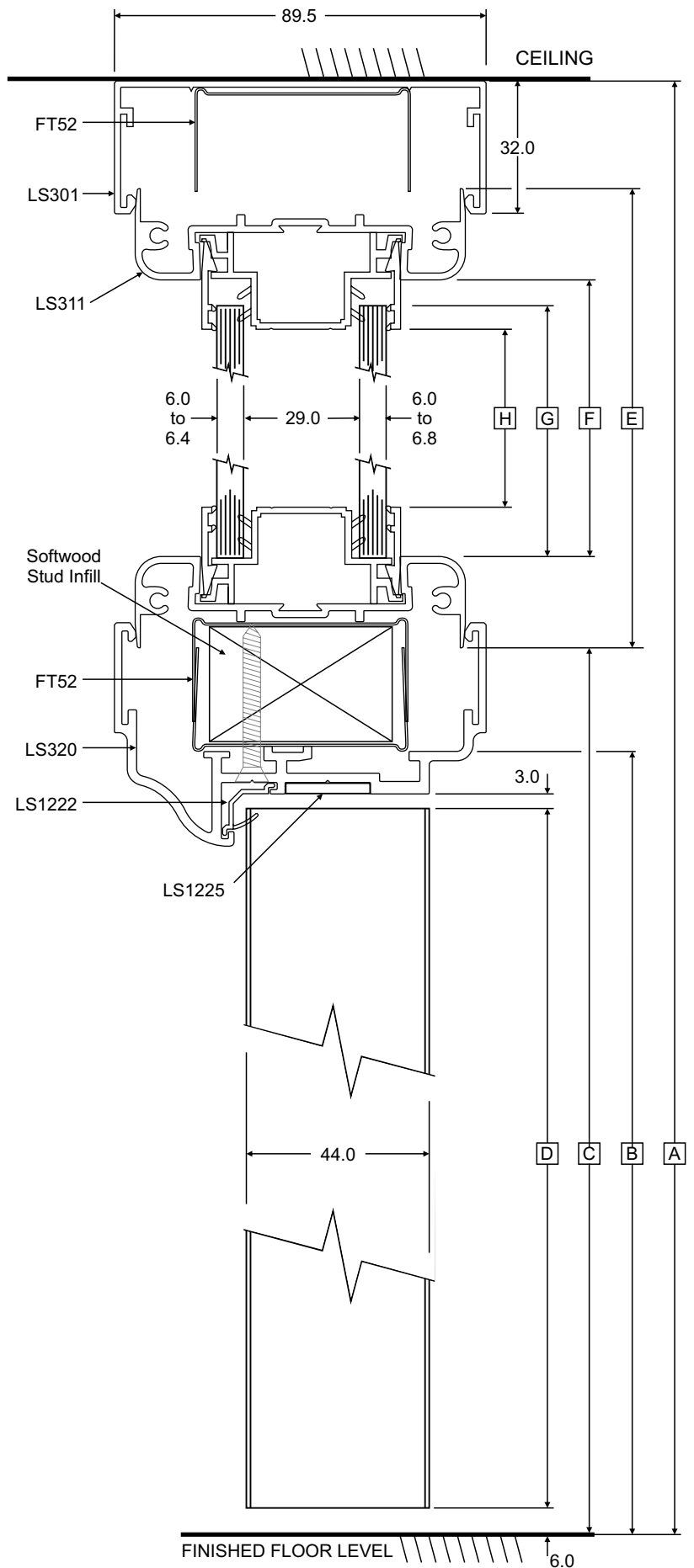
QIC 75

Drawing No:

13-0300-43

Title:

**75mm Single Door Frame - Wrap Round Single
 Glazing Above 30 Min Fire Rated : Elevation**



- Dimension A** = Floor to Ceiling Height
- Dimension B** = Dim D (Door Height) + 19mm
- Dimension C** = Dim D (Door Height) + 44mm
- Dimension D** = Door Height
- Dimension E** = Dim A - Dim C - 26mm
- Dimension F** = Dim E - 44mm (Glazing Aperture)
- Dimension G** = Dim E - 50mm (Actual Glass Size)
- Dimension H** = Dim E - 74mm (Blind Aperture)

All dimensions are in mm and are nominal

All glass must conform to BS6262 and guidance provided in Building Regulations Document 'N'

NOTE: FD30 minute fire rated door assemblies must be fitted with Intumescent Strip (LS1225) and a suitable door closer.

 LS301: 75mm Head Channel
 LS311: NWR Radius Glazing
 LS320: 75mm Door Frame
 FT52: 52mm Track
 Double Glazing Chair
 Double Glazing Bead



QIC Trims UK Ltd
 Radclive Road,
 Buckingham MK18 4BL
 T: +44 (0) 1280 818 950
 E: sales@qic-trims.com



QIC Trims UK Ltd
COPYRIGHT | 2023

Copyright in this drawing belongs to QIC Trims UK Ltd.
 Neither the whole drawing or part thereof may be reproduced
 without the prior permission in writing of QIC Trims UK Ltd.

Date: 15/12/13

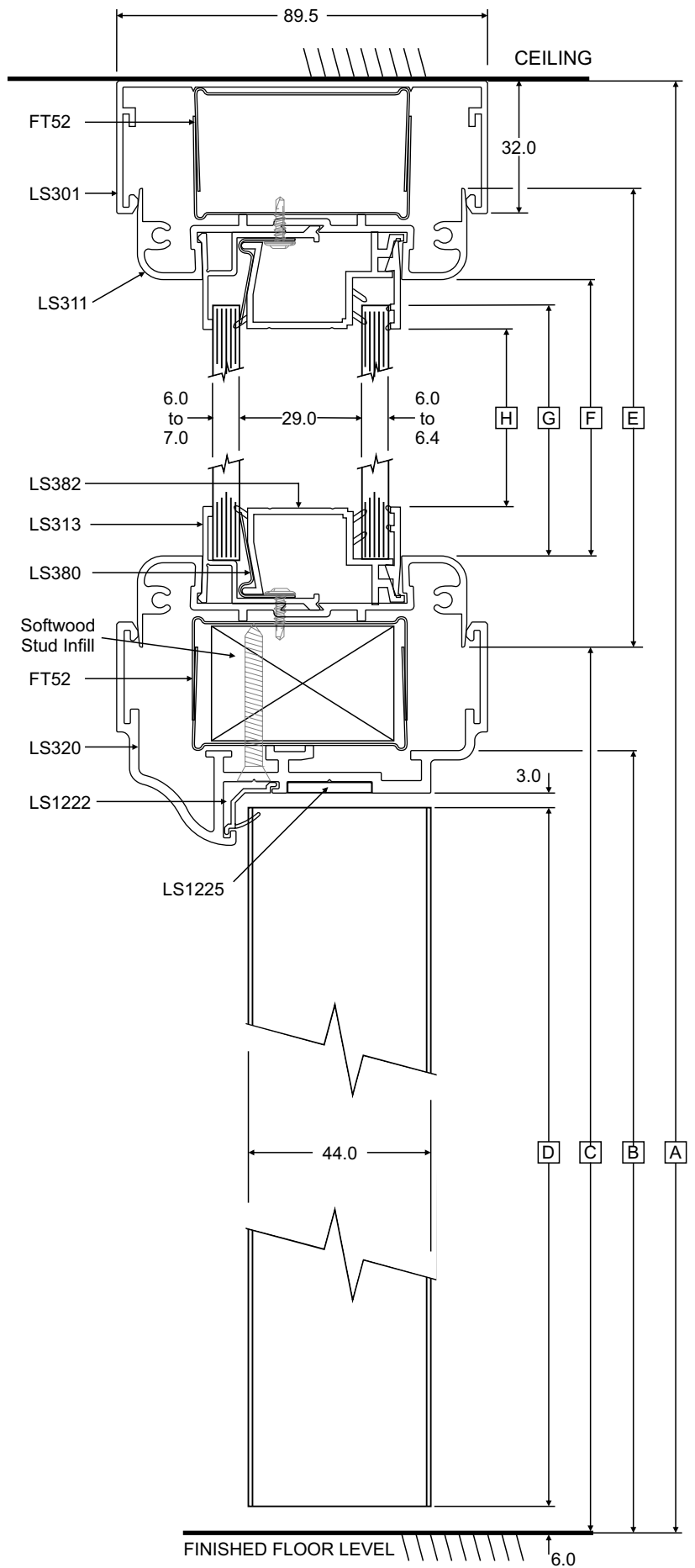
QIC 75

Drawing No:

13-0300-44

Title:

75mm Single Door Frame - Wrap Round
Double Glazing Above: Elevation



- Dimension A** = Floor to Ceiling Height
- Dimension B** = Dim D (Door Height) + 19mm
- Dimension C** = Dim D (Door Height) + 44mm
- Dimension D** = Door Height
- Dimension E** = Dim A - Dim C - 26mm
- Dimension F** = Dim E - 44mm (Glazing Aperture)
- Dimension G** = Dim E - 50mm (Actual Glass Size)
- Dimension H** = Dim E - 74mm (Blind Aperture)

All dimensions are in mm and are nominal

All glass must conform to BS6262 and guidance provided in Building Regulations Document 'N'

NOTE: FD30 minute fire rated door assemblies must be fitted with Intumescent Strip (LS1225) and a suitable door closer.

- LS301: 75mm Head Channel
- LS311: NWR Radius Glazing
- LS320: 75mm Door Frame
- FT52: 52mm Track
- LS380: Steel Glazing Bead
- LS313: DG FR Glazing Chair
- LS382: PVC FR Glazing Chair
- Double Glazing Bead



QIC Trims UK Ltd
 Radclive Road,
 Buckingham MK18 4BL
 T: +44 (0) 1280 818 950
 E: sales@qic-trims.com

© QIC Trims UK Ltd
COPYRIGHT | 2023

Copyright in this drawing belongs to QIC Trims UK Ltd.
 Neither the whole drawing or part thereof may be reproduced
 without the prior permission in writing of QIC Trims UK Ltd.

Date: 15/12/13

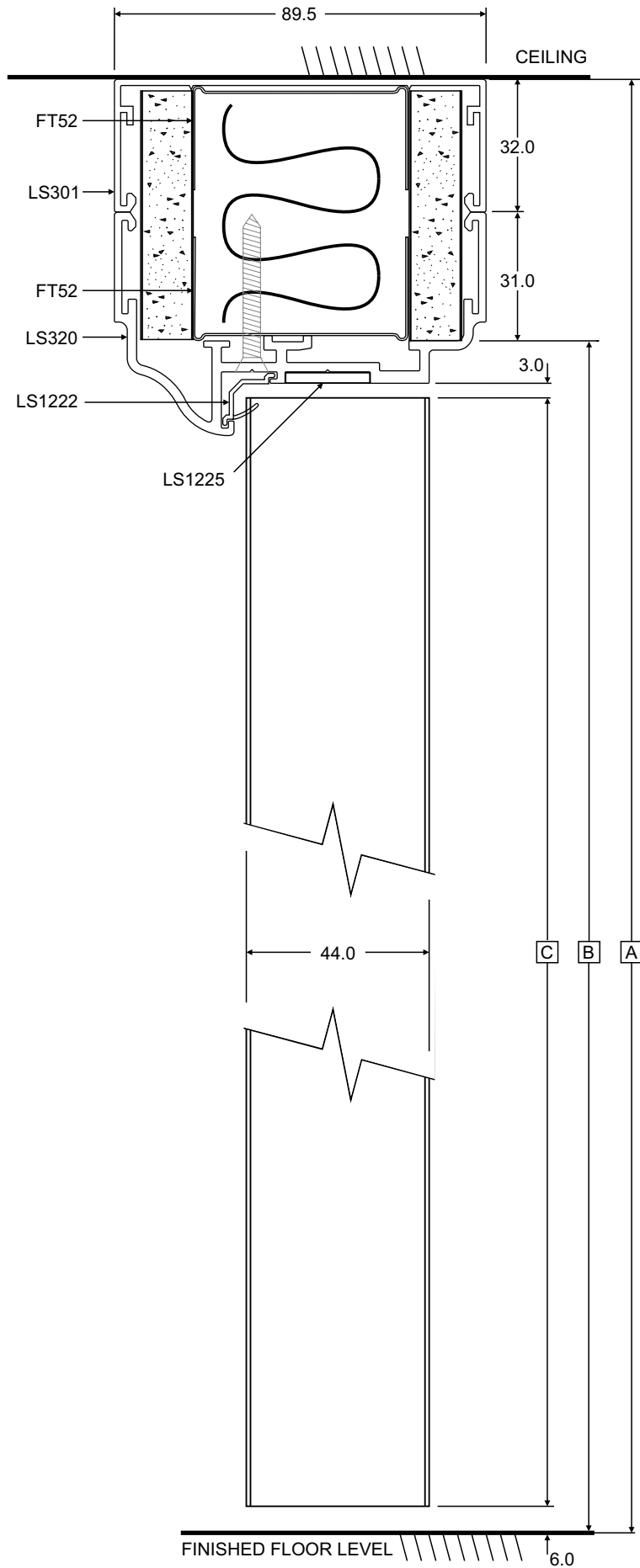
QIC 75

Drawing No:

13-0300-45

Title:

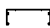
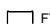
**75mm Single Door Frame - Non Wrap Round
 Double Glazing Above 30 Min Fire Rated: Elevation**



Dimension A = Floor to Ceiling Height
Dimension B = Dim C (Door Height) + 19mm
Dimension C = Door Height

All dimensions are in mm and are nominal

NOTE: FD30 minute fire rated door assemblies must be fitted with Intumescent Strip (LS1225) and a suitable door closer.

 LS301: 75mm Head Channel
  LS320: 75mm Door Frame
  FT52: 52mm Track



QIC Trims UK Ltd
 Radclive Road,
 Buckingham MK18 4BL
 T: +44 (0) 1280 818 950
 E: sales@qic-trims.com



QIC Trims UK Ltd
COPYRIGHT | 2023

Copyright in this drawing belongs to QIC Trims UK Ltd.
 Neither the whole drawing or part thereof may be reproduced
 without the prior permission in writing of QIC Trims UK Ltd.

Date: 15/12/13

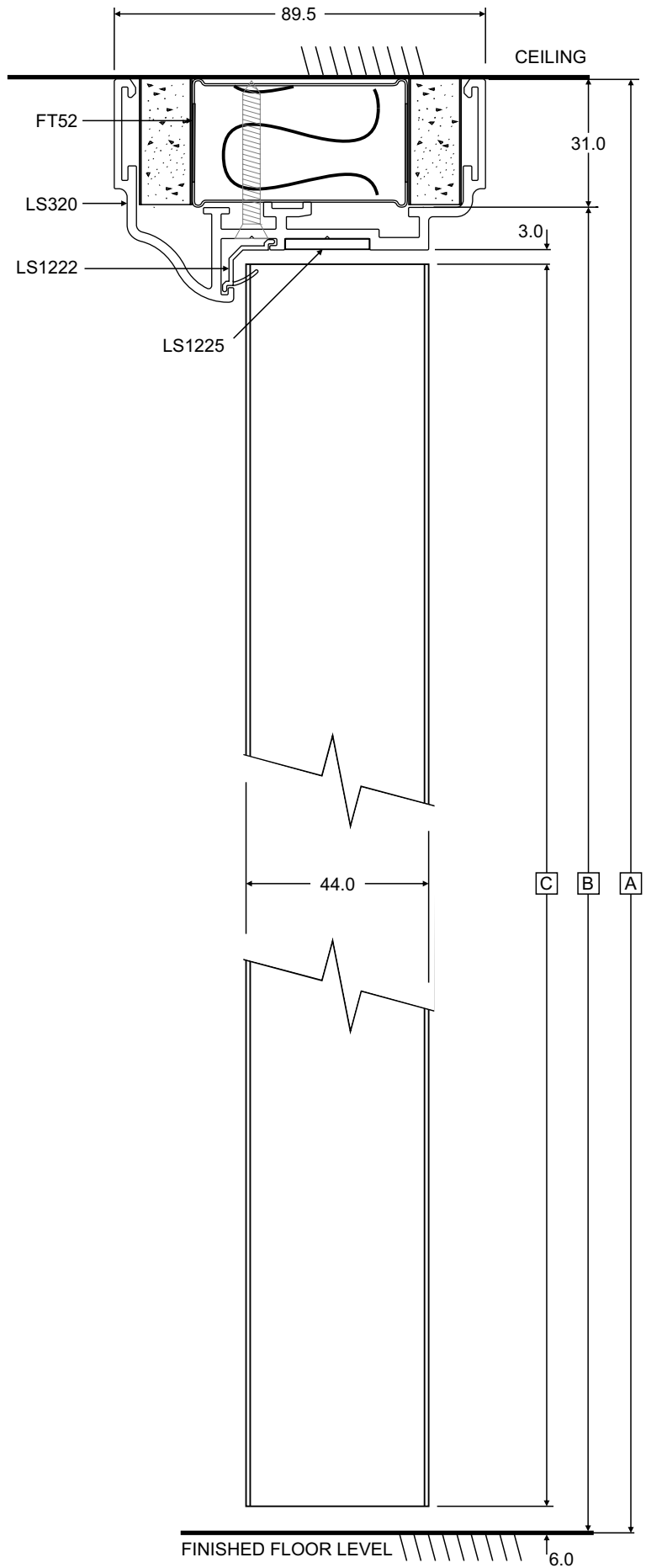
QIC 75

Drawing No:

13-0300-46

Title:

**75mm Single Full Height Door Frame :
 Elevation**



Dimension A = Floor to Ceiling Height
Dimension B = Floor to Ceiling Height - 31mm
Dimension C = Door Height (FTCH -50mm)

All dimensions are in mm and are nominal

NOTE: FD30 minute fire rated door assemblies must be fitted with Intumescent Strip (LS1225) and a suitable door closer.

 LS320: 75mm Door Frame  FT52: 52mm Track



QIC Trims UK Ltd
 Radclive Road,
 Buckingham MK18 4BL
 T: +44 (0) 1280 818 950
 E: sales@qic-trims.com



QIC Trims UK Ltd
COPYRIGHT | 2023

Copyright in this drawing belongs to QIC Trims UK Ltd.
 Neither the whole drawing or part thereof may be reproduced
 without the prior permission in writing of QIC Trims UK Ltd.

Date: 15/12/13

QIC 75

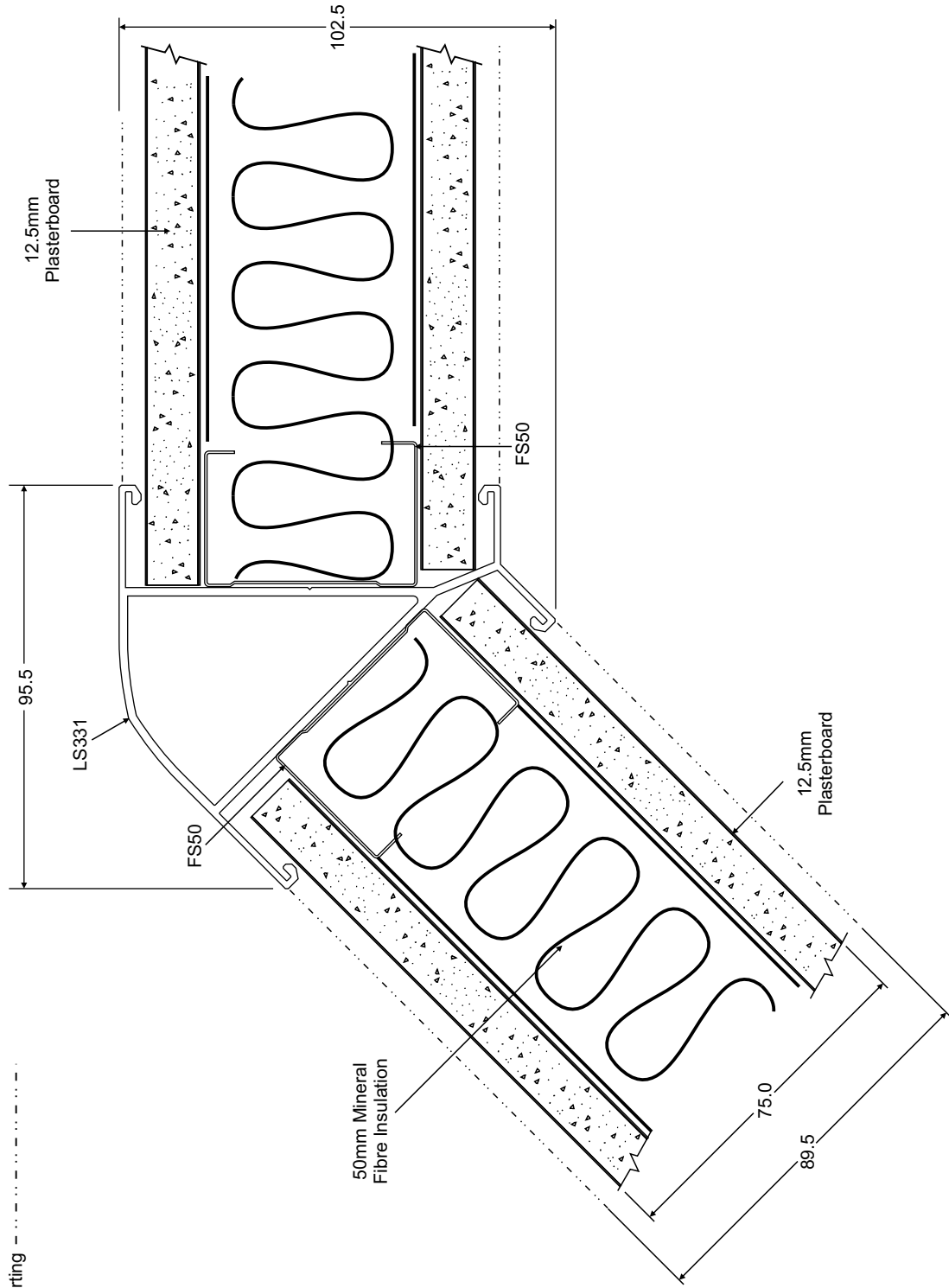
Drawing No:

13-0300-47

Title:

75mm Single Full Height Door Frame Option
: Elevation

All dimensions are in mm and are nominal
 All glass must conform to BS6262 and guidance provided in Building Regulations Document 'N'



Line of Skirting - - - - -

LS331: 135° Corner Post □ FS50: 50mm Stud



QIC Trims UK Ltd
 Radclive Road,
 Buckingham MK18 4BL
 T: +44 (0) 1280 818 950
 E: sales@qic-trims.com



QIC Trims UK Ltd
COPYRIGHT | 2023

Copyright in this drawing belongs to QIC Trims UK Ltd.
 Neither the whole drawing or part thereof may be reproduced
 without the prior permission in writing of QIC Trims UK Ltd.

Date: 15/12/13

QIC 75

Drawing No:

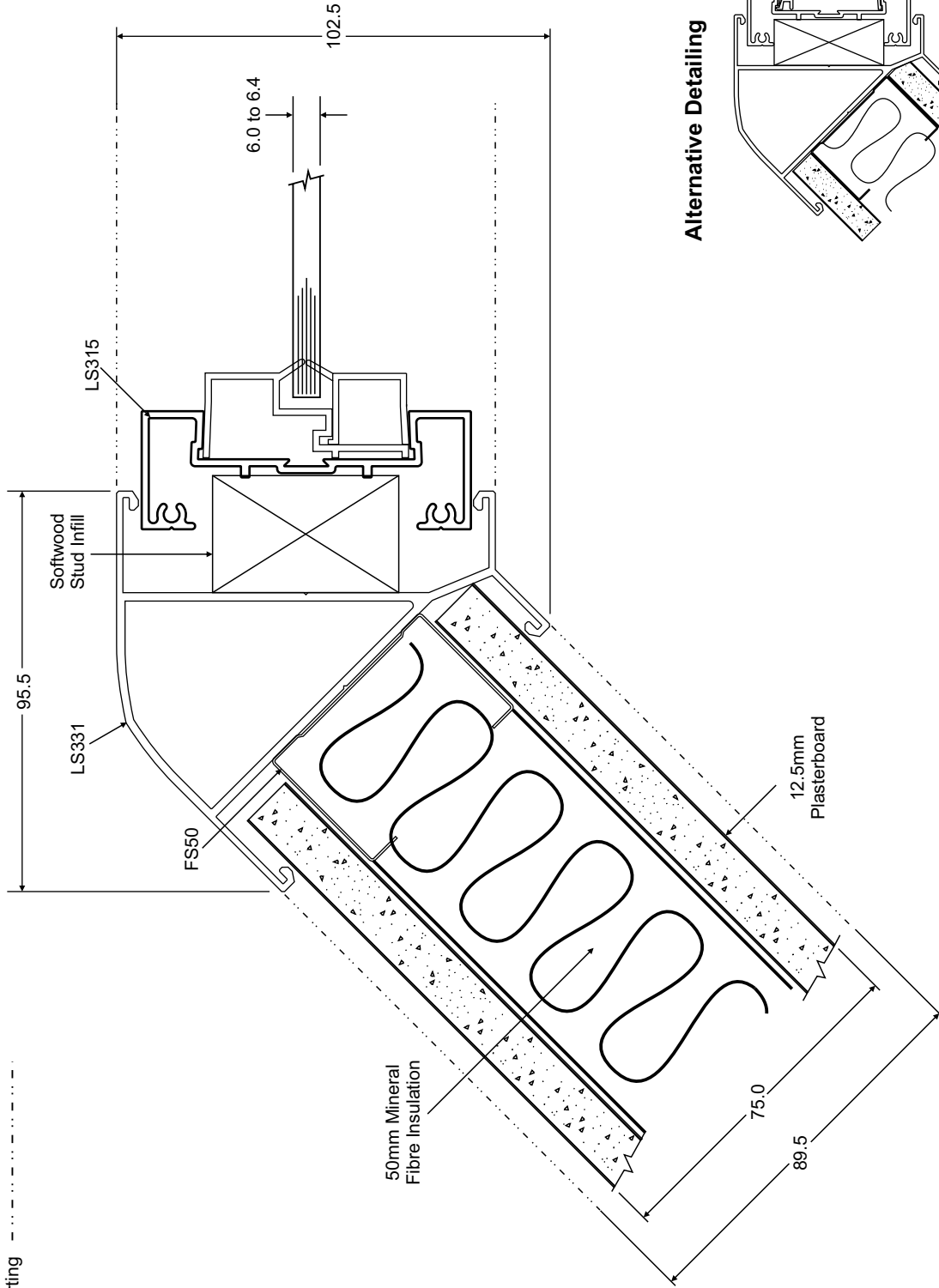
13-0300-49

Title:

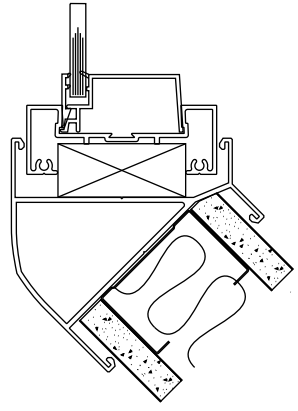
75mm 135° Corner Post Detail Solid / Solid-Plan

All dimensions are in mm and are nominal
 All glass must conform to BS6262 and guidance provided in Building Regulations Document 'N'

Line of Skirting - - - - -



Alternative Detailing



Offset Glazing Chair & Bead



QIC Trims UK Ltd
 Radclive Road,
 Buckingham MK18 4BL
 T: +44 (0) 1280 818 950
 E: sales@qic-trims.com



QIC Trims UK Ltd
 COPYRIGHT | 2023

Copyright in this drawing belongs to QIC Trims UK Ltd.
 Neither the whole drawing or part thereof may be reproduced
 without the prior permission in writing of QIC Trims UK Ltd.

Date: 15/12/13

QIC 75

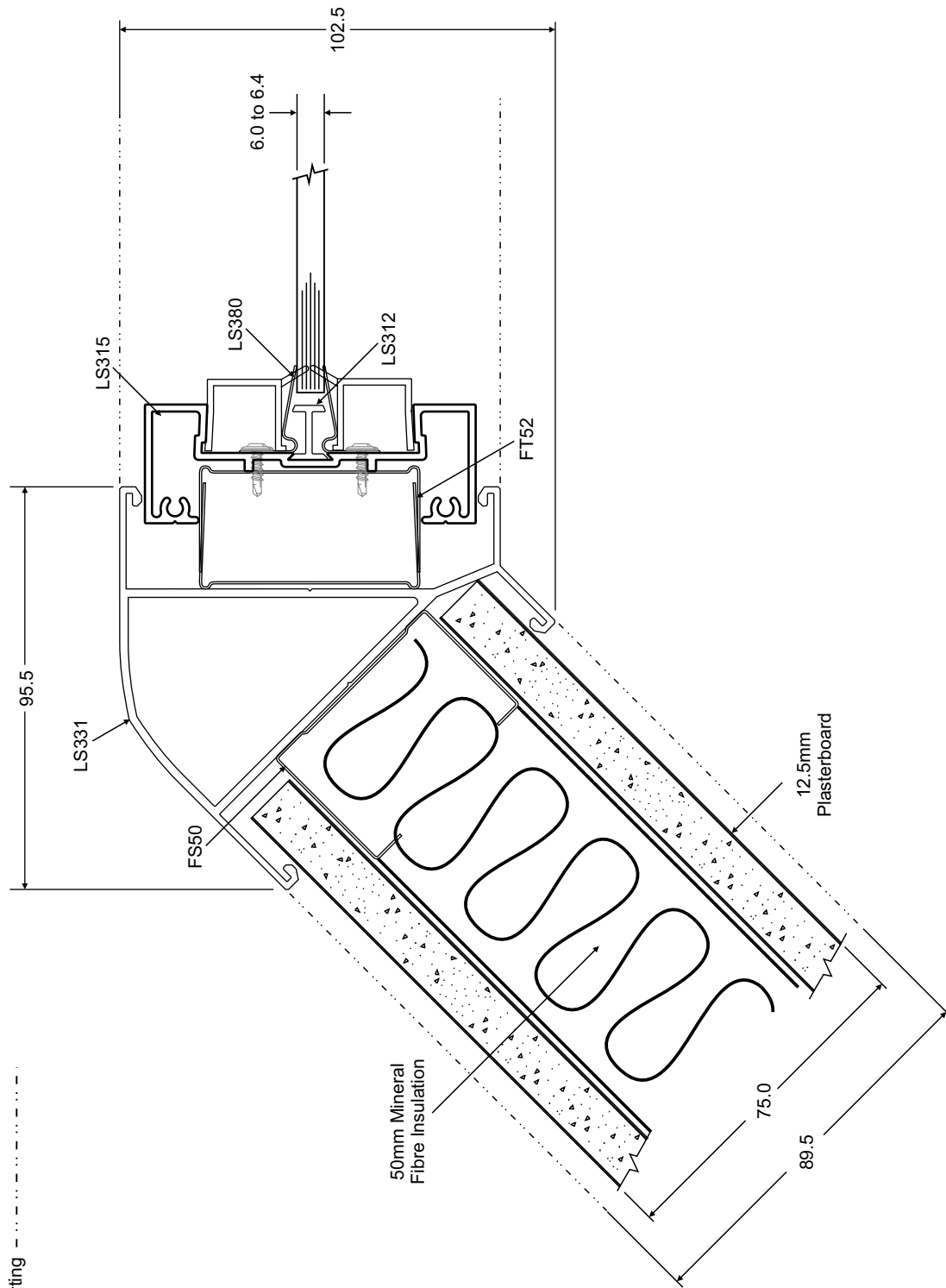
Drawing No:

13-0300-50

Title:

75mm 135° Corner Post Detail Solid / Non
 Wrap Round Single Glazing - Plan

All dimensions are in mm and are nominal
 All glass must conform to BS6262 and guidance
 provided in Building Regulations Document 'N'



Line of Skirting - - - - -

LS331: 135° Corner Post □ FS50: 50mm Stud □ LS315: NWR Square Glazing □ LS380: Steel Glazing Bead □ FT52: 52mm Track □ LS312: SG FR Glazing 'T'



QIC Trims UK Ltd
 Radclive Road,
 Buckingham MK18 4BL
 T: +44 (0) 1280 818 950
 E: sales@qic-trims.com

© QIC Trims UK Ltd
COPYRIGHT | 2023

Copyright in this drawing belongs to QIC Trims UK Ltd.
 Neither the whole drawing or part thereof may be reproduced
 without the prior permission in writing of QIC Trims UK Ltd.

Date: 15/12/13

QIC 75

Drawing No:

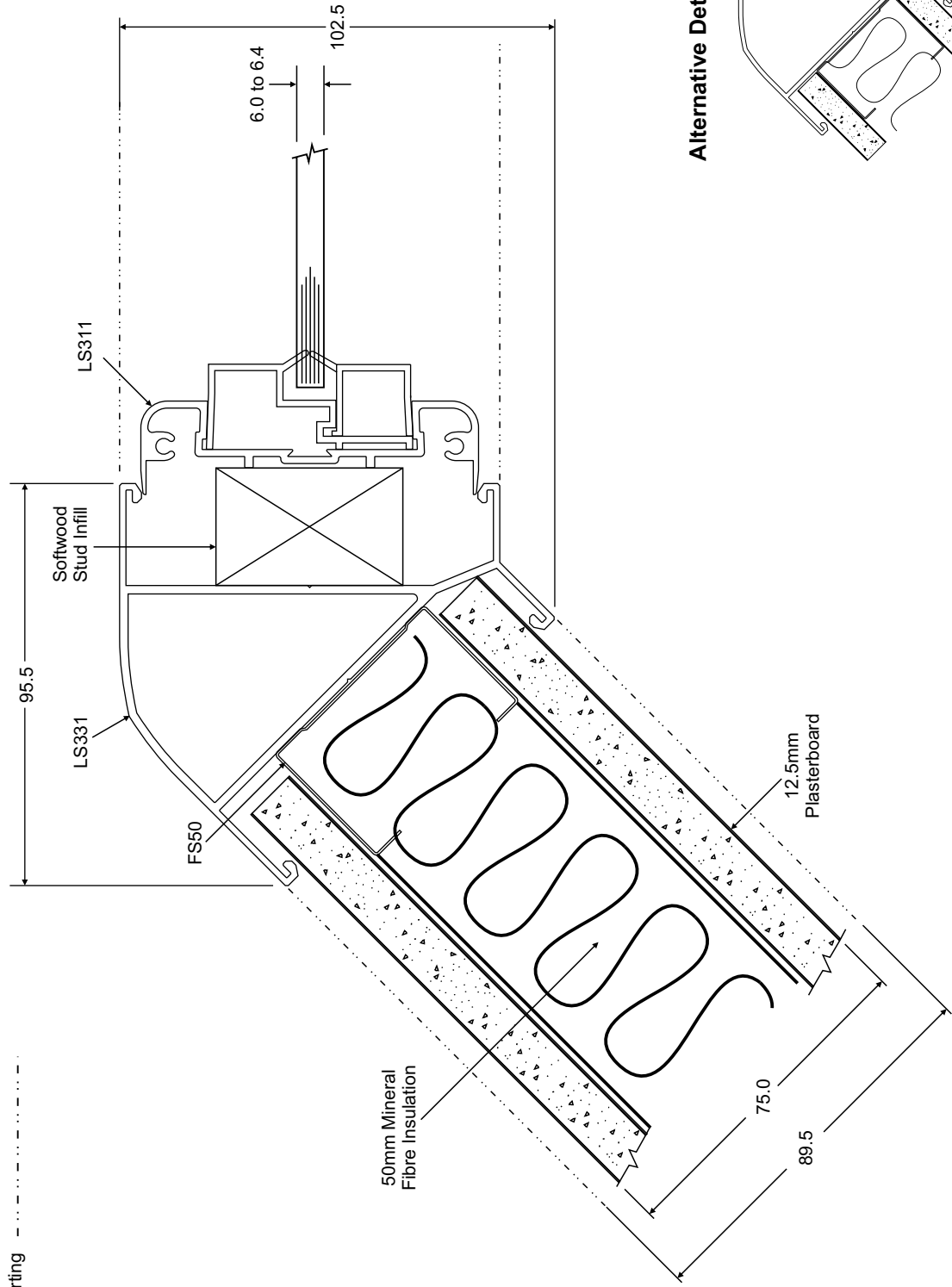
13-0300-51

Title:

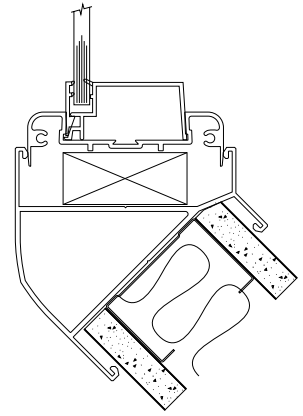
**75mm 135° Corner Post Detail Solid / Non Wrap
 Round Single Glazing 30 Min Fire Rated - Plan**

All dimensions are in mm and are nominal
 All glass must conform to BS6262 and guidance provided in Building Regulations Document 'N'

Line of Skirting - - - - -



Alternative Detailing



Offset Glazing Chair & Bead

LS331: 135° Corner Post [] FS50: 50mm Stud [] LS311: WR Radius Glazing [] Double Glazing Chair [] Double Glazing Bead []



QIC Trims UK Ltd
 Radclive Road,
 Buckingham MK18 4BL
 T: +44 (0) 1280 818 950
 E: sales@qic-trims.com

© QIC Trims UK Ltd
COPYRIGHT | 2023

Copyright in this drawing belongs to QIC Trims UK Ltd.
 Neither the whole drawing or part thereof may be reproduced
 without the prior permission in writing of QIC Trims UK Ltd.

Date: 15/12/13

QIC 75

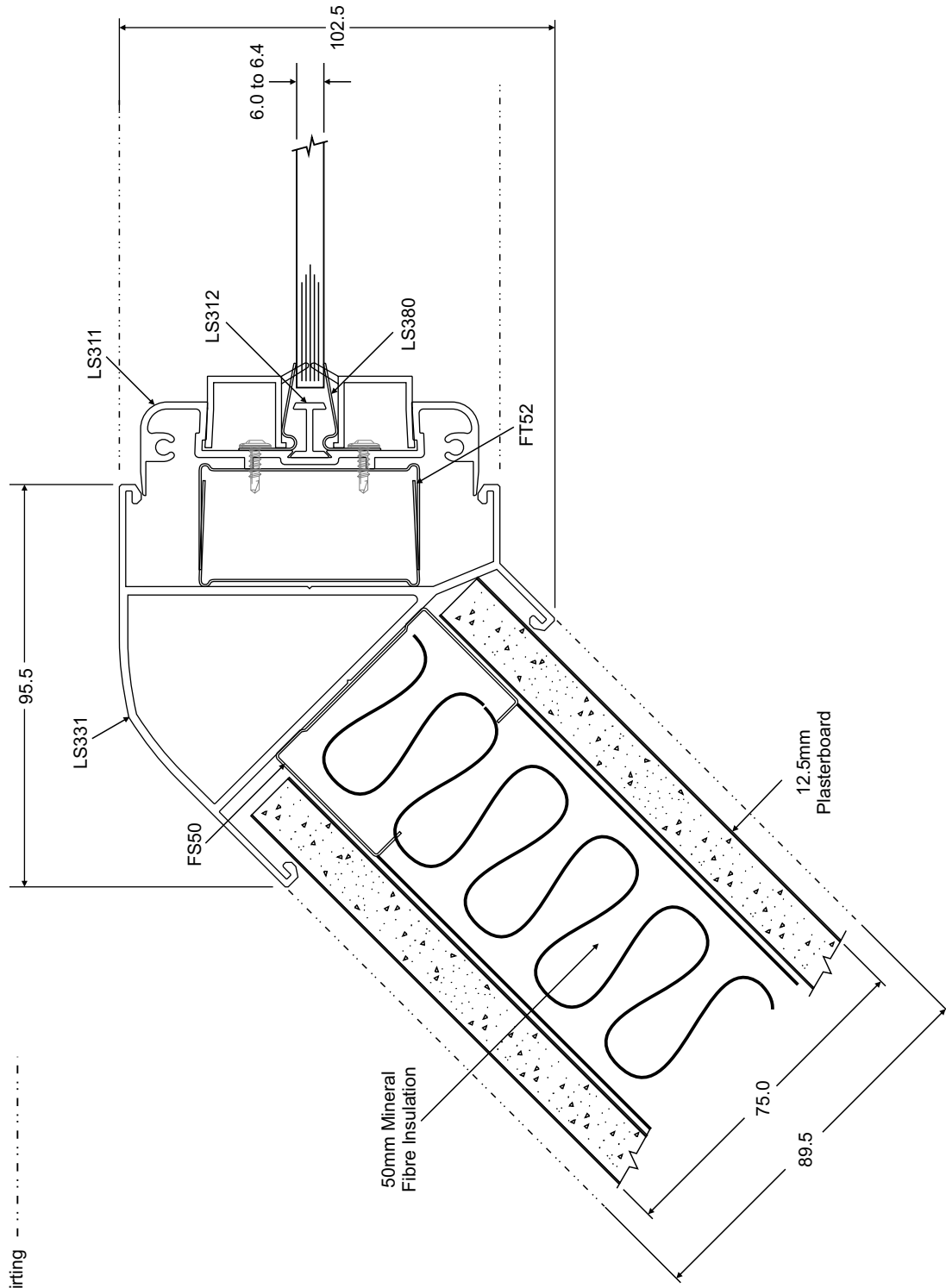
Drawing No:

13-0300-52

Title:

75mm 135° Corner Post Detail Solid / Wrap Round Single Glazing - Plan

All dimensions are in mm and are nominal
 All glass must conform to BS6262 and guidance
 provided in Building Regulations Document 'N'



Line of Skirting - - - - -

LS331: 135° Corner Post □ FS50: 50mm Stud □ LS311: WR Radius Glazing □ Double Glazing Chair □ Double Glazing Bead □ FT52: 52mm Track



QIC Trims UK Ltd
 Radclive Road,
 Buckingham MK18 4BL
 T: +44 (0) 1280 818 950
 E: sales@qic-trims.com

© QIC Trims UK Ltd
 COPYRIGHT | 2023

Copyright in this drawing belongs to QIC Trims UK Ltd.
 Neither the whole drawing or part thereof may be reproduced
 without the prior permission in writing of QIC Trims UK Ltd.

Date: 15/12/13

QIC 75

Drawing No:

13-0300-53

Title:

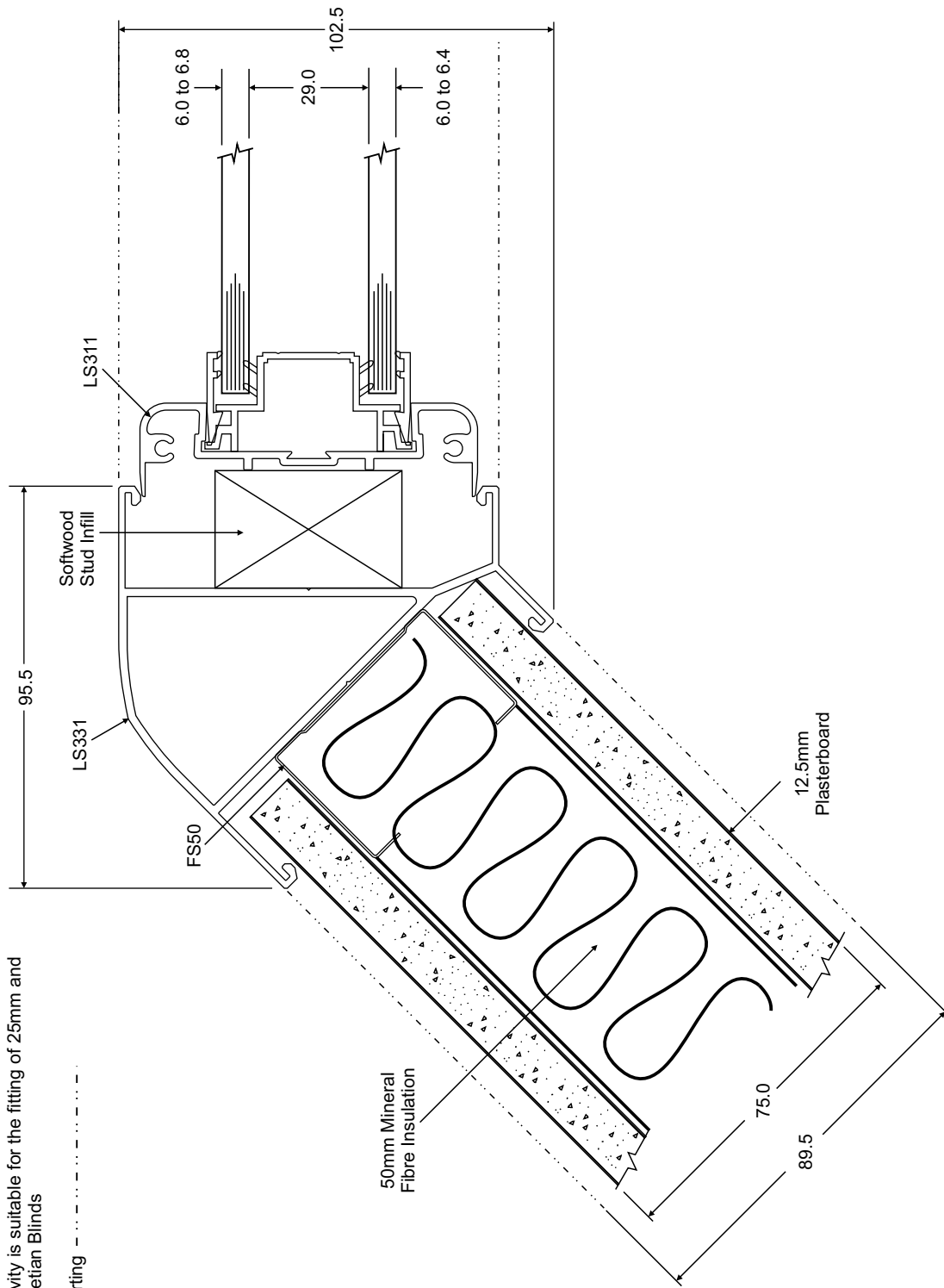
75mm 135° Corner Post Detail Solid / Wrap
 Round Single Glazing 30 Min Fire Rated - Plan

All dimensions are in mm and are nominal

All glass must conform to BS6262 and guidance provided in Building Regulations Document 'N'

Glazing cavity is suitable for the fitting of 25mm and 15mm Venetian Blinds

Line of Skirting - - - - -



QIC Trims UK Ltd
Radclyve Road,
Buckingham MK18 4BL
T: +44 (0) 1280 818 950
E: sales@qic-trims.com



QIC Trims UK Ltd
COPYRIGHT | 2023

Copyright in this drawing belongs to QIC Trims UK Ltd.
Neither the whole drawing or part thereof may be reproduced
without the prior permission in writing of QIC Trims UK Ltd.

Date: 15/12/13

QIC 75

Drawing No:

13-0300-54

Title:

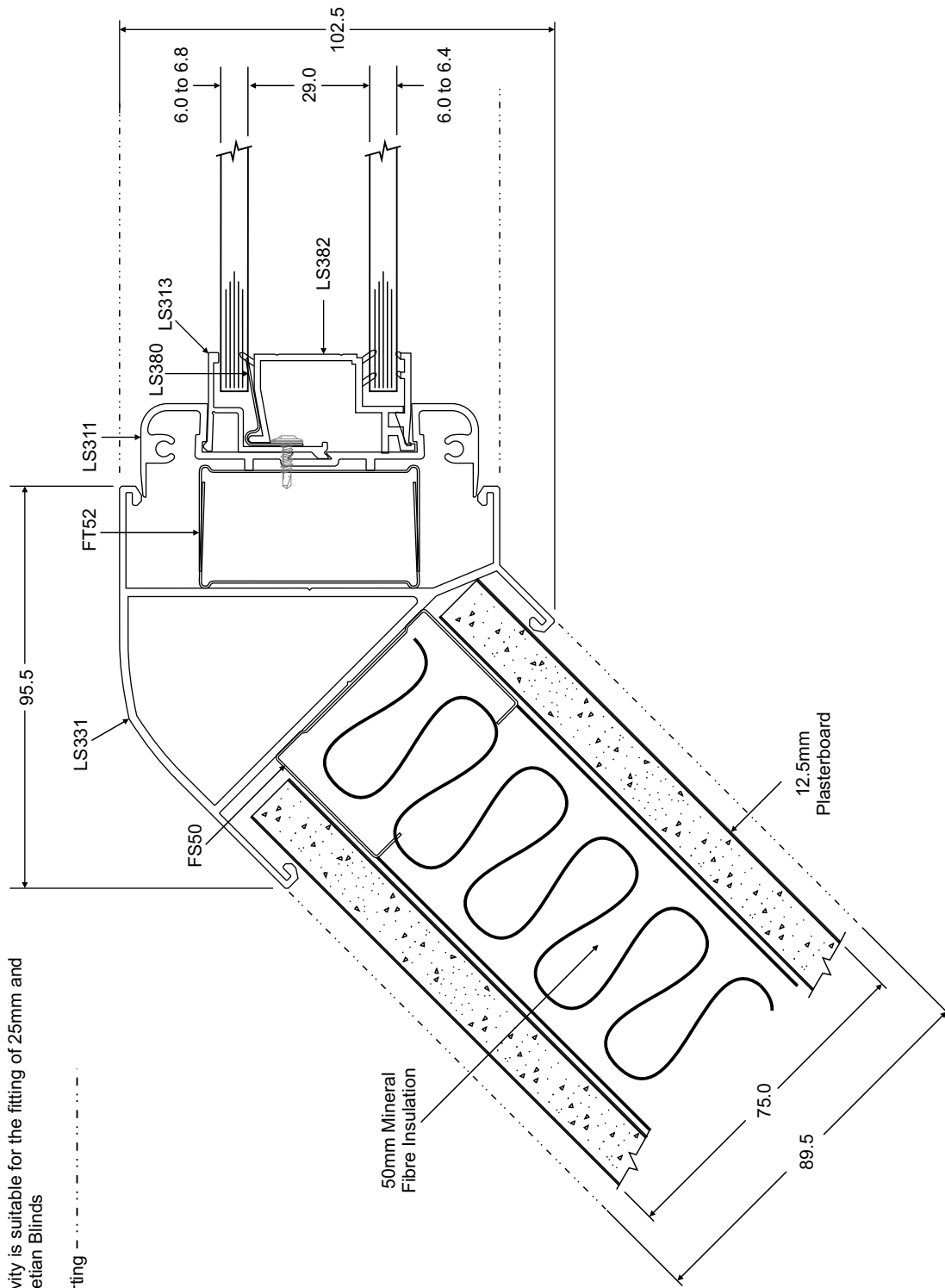
75mm 135° Corner Post Detail Solid / Wrap
Round Double Glazing - Plan









All dimensions are in mm and are nominal

All glass must conform to BS6262 and guidance provided in Building Regulations Document 'N'

Glazing cavity is suitable for the fitting of 25mm and 15mm Venetian Blinds

Line of Skirting - - - - -



-  LS331: 135° Corner Post
-  FS50: 50mm Stud
-  LS311: WR Radius Glazing
-  FT52: 52mm Track
-  LS382: PVC FR Glazing Chair
-  Double Glazing Bead
-  LS380: Steel Glazing Bead
-  LS313: DG FR Glazing Chair



QIC Trims UK Ltd
 Radclive Road,
 Buckingham MK18 4BL
 T: +44 (0) 1280 818 950
 E: sales@qic-trims.com



QIC Trims UK Ltd
COPYRIGHT | 2023

Copyright in this drawing belongs to QIC Trims UK Ltd.
 Neither the whole drawing or part thereof may be reproduced
 without the prior permission in writing of QIC Trims UK Ltd.

Date: 15/12/13

QIC 75

Drawing No:

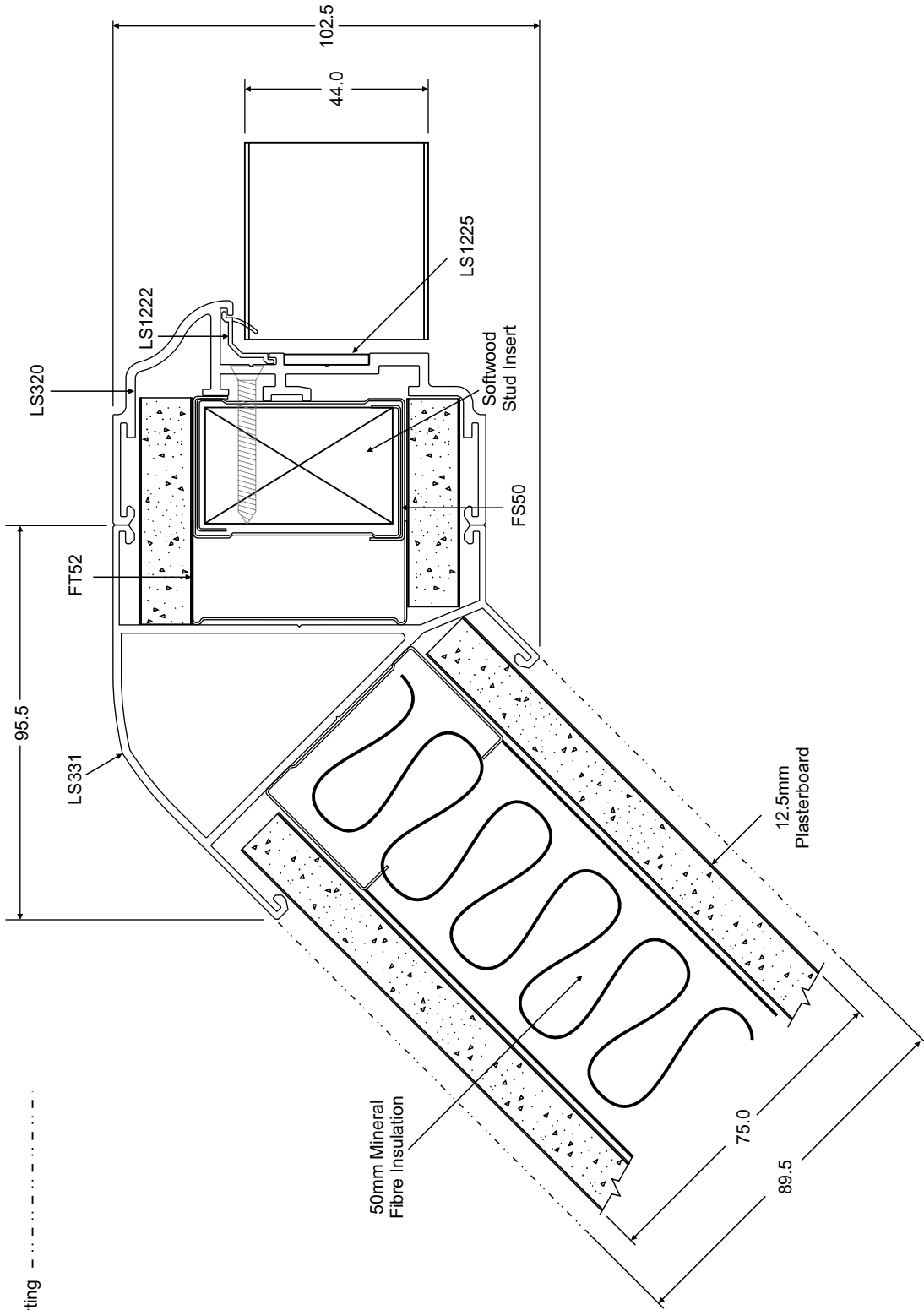
13-0300-55

Title:

**75mm 135° Corner Post Detail Solid / Wrap
 Round Double Glazing 30 Min Fire Rated - Plan**

All dimensions are in mm and are nominal

NOTE: FD30 minute fire rated door assemblies must be fitted with Intumescent Strip (LS1225) and a suitable door closer.



LS331: 135° Corner Post LS320: 75mm Door Frame FS50: 50mm Stud FT52: 52mm Track



QIC Trims UK Ltd
Radclyve Road,
Buckingham MK18 4BL
T: +44 (0) 1280 818 950
E: sales@qic-trims.com



QIC Trims UK Ltd
COPYRIGHT | 2023

Copyright in this drawing belongs to QIC Trims UK Ltd.
Neither the whole drawing or part thereof may be reproduced
without the prior permission in writing of QIC Trims UK Ltd.

Date: 15/12/13

QIC 75

Drawing No:

13-0300-56

Title:

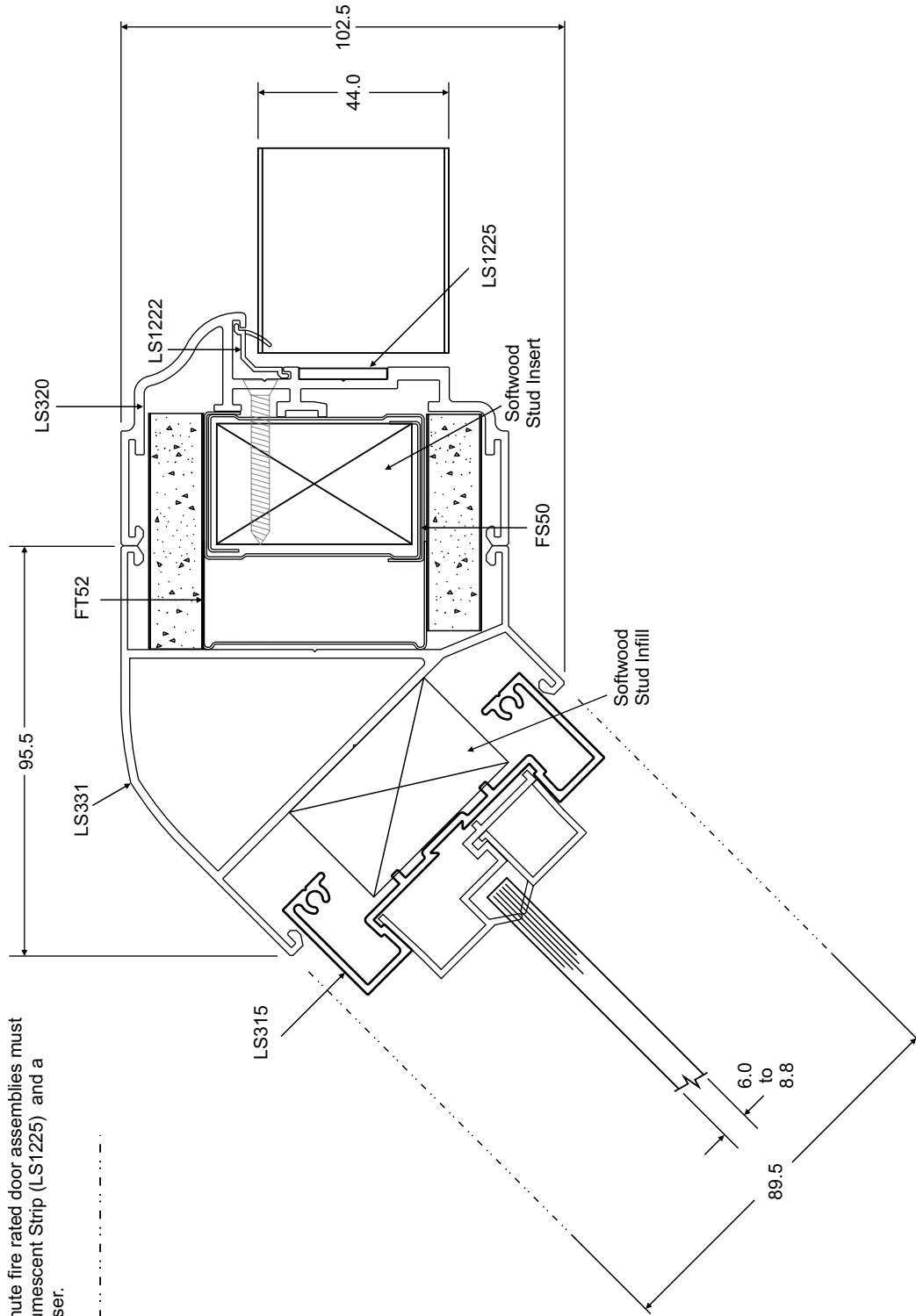
**75mm 135° Corner Post Detail Solid / Door
Frame - Plan**

All dimensions are in mm and are nominal

All glass must conform to BS6262 and guidance provided in Building Regulations Document 'N'

NOTE: FD30 minute fire rated door assemblies must be fitted with Intumescent Strip (LS1225) and a suitable door closer.

Line of Skirting - - - - -



QIC Trims UK Ltd
 Radclive Road,
 Buckingham MK18 4BL
 T: +44 (0) 1280 818 950
 E: sales@qic-trims.com



QIC Trims UK Ltd
COPYRIGHT | 2023

Copyright in this drawing belongs to QIC Trims UK Ltd.
 Neither the whole drawing or part thereof may be reproduced
 without the prior permission in writing of QIC Trims UK Ltd.

Date: 15/12/13

QIC 75

Drawing No:

13-0300-57

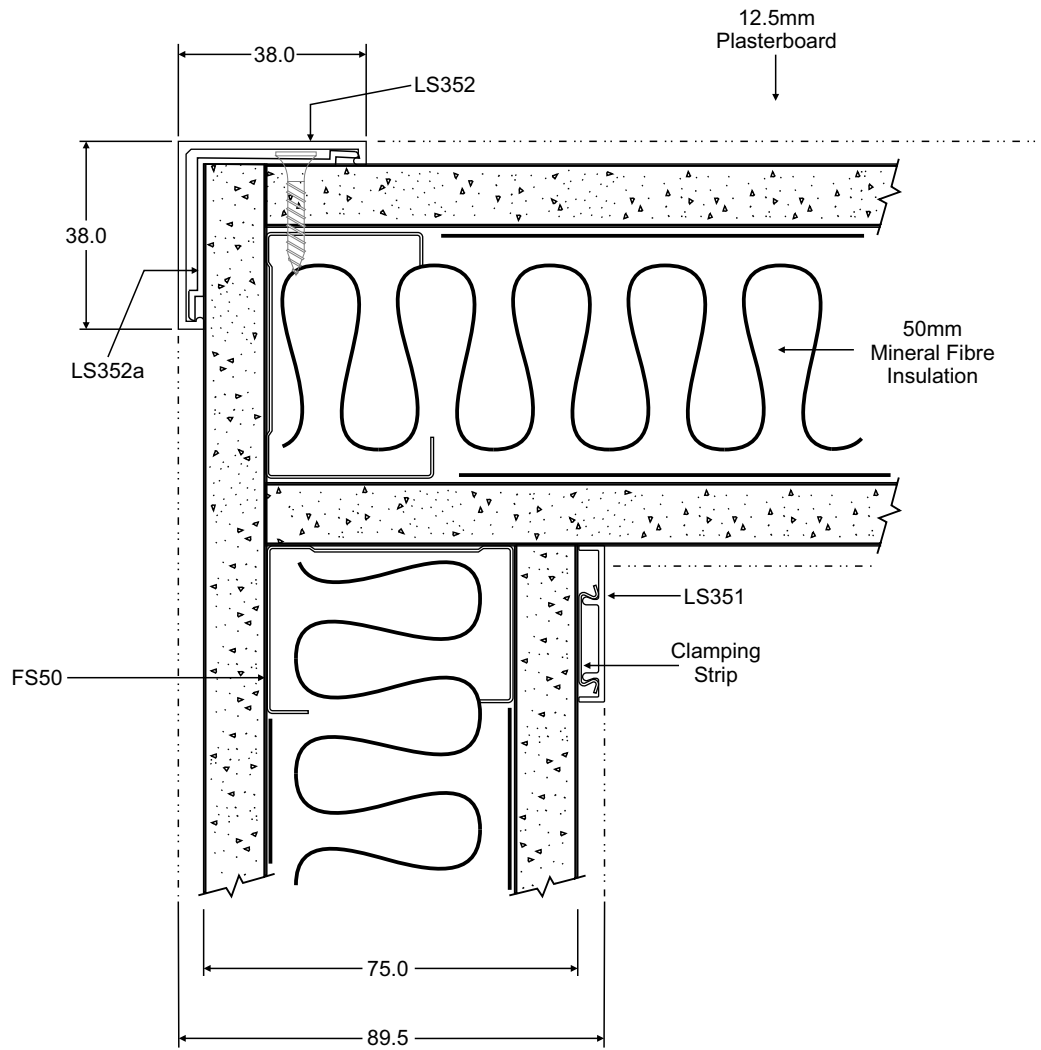
Title:

**75mm 135° Corner Post Detail Door Frame /
 Non Wrap Round Single Glazing - Plan**

- LS331: 135° Corner Post
- FS50: 50mm Stud
- LS315: NWR Square Glazing
- Single Glazing Bead
- Single Glazing Chair
- LS320: 75mm Door Frame
- FT52: 52mm Track

All dimensions are in mm and are nominal

Line of Skirting - - - - -



LS352: 90° Corner Trim
 LS352a: 90° PVC Corner Clip
 FS50: 50mm Stud
 LS351: Abutment Trim
 Clamping Strip



QIC Trims UK Ltd
 Radclive Road,
 Buckingham MK18 4BL
 T: +44 (0) 1280 818 950
 E: sales@qic-trims.com



QIC Trims UK Ltd
COPYRIGHT | 2023

Copyright in this drawing belongs to QIC Trims UK Ltd.
 Neither the whole drawing or part thereof may be reproduced
 without the prior permission in writing of QIC Trims UK Ltd.

Date: 15/12/13

QIC 75

Drawing No:

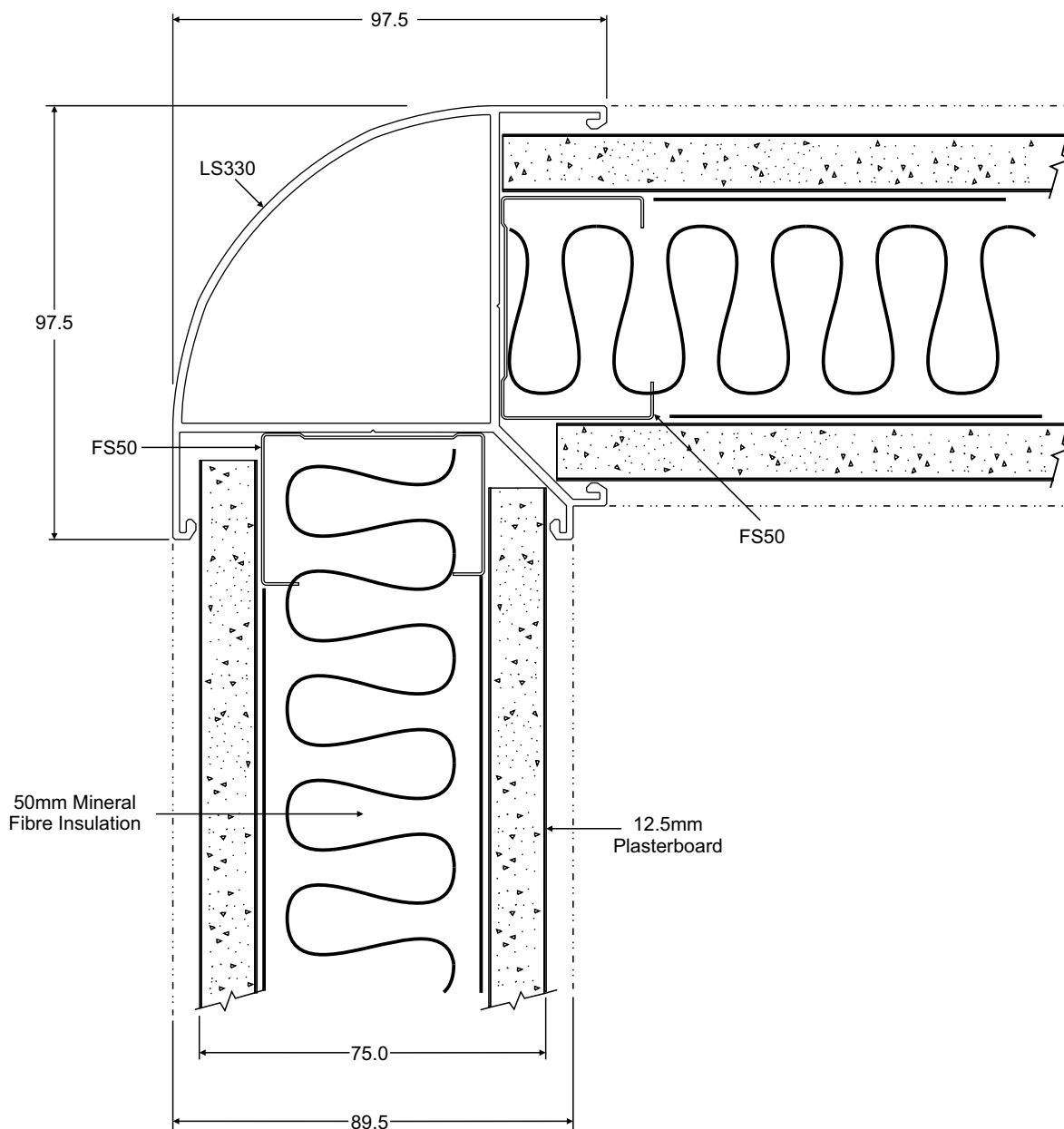
13-0400-58

Title:

75mm 90° Corner Solid/Solid - Plan View

All dimensions are in mm and are nominal

Line of Skirting - - - - -



LS330: 90° Corner Post [] FS50: 50mm Stud



QIC Trims UK Ltd
Radclyffe Road,
Buckingham MK18 4BL
T: +44 (0) 1280 818 950
E: sales@qic-trims.com



QIC Trims UK Ltd
COPYRIGHT | 2023

Copyright in this drawing belongs to QIC Trims UK Ltd.
Neither the whole drawing or part thereof may be reproduced
without the prior permission in writing of QIC Trims UK Ltd.

Date: 15/12/13

QIC 75

Drawing No:

13-0300-59

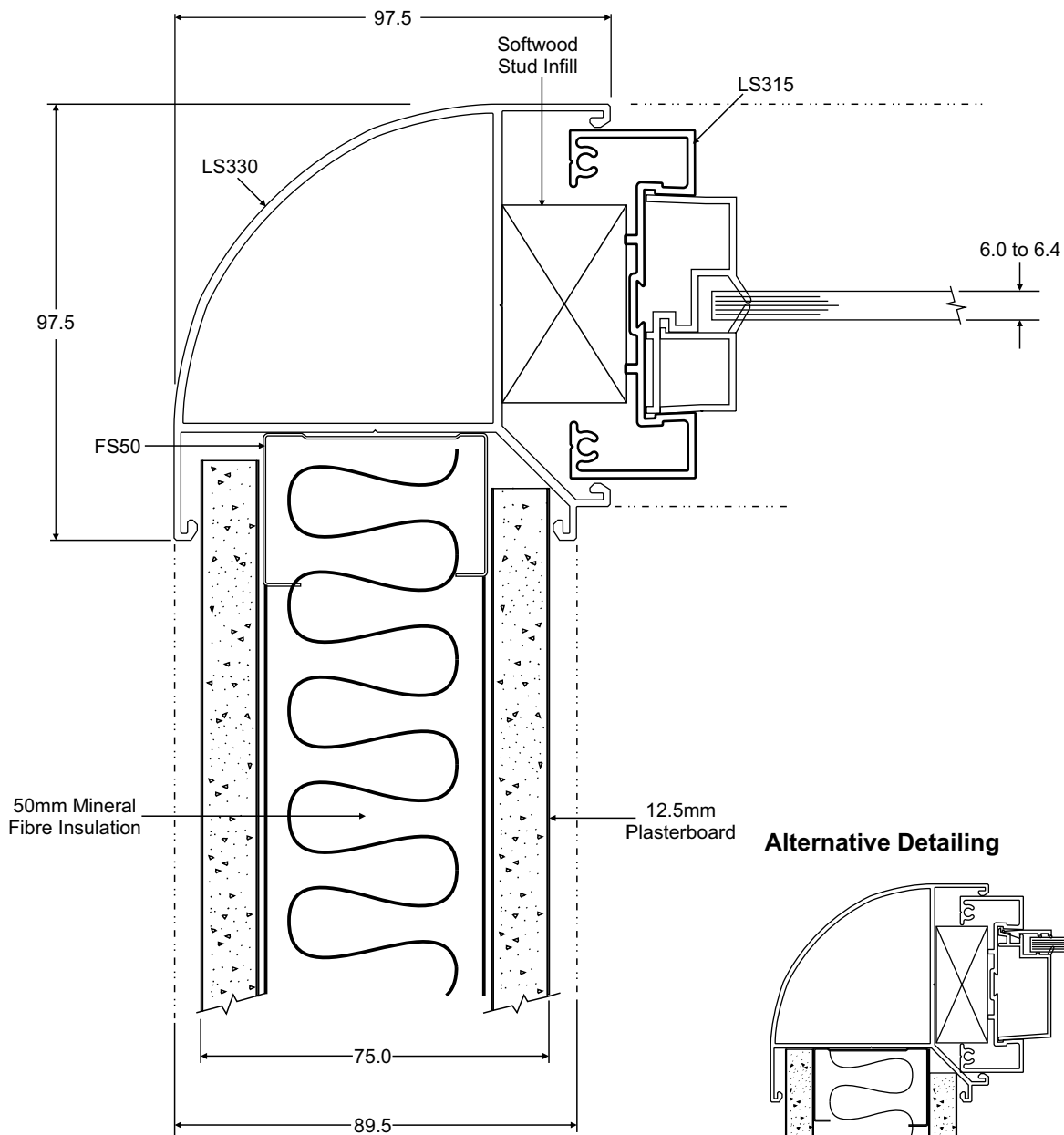
Title:

75mm 90° Corner Post Detail Solid / Solid-Plan

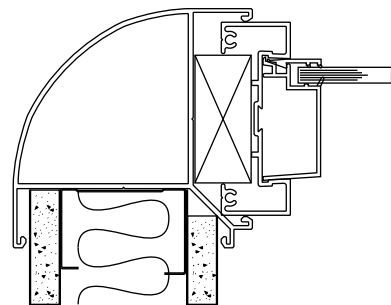
All dimensions are in mm and are nominal

All glass must conform to BS6262 and guidance provided in Building Regulations Document 'N'

Line of Skirting- - - - -



Alternative Detailing



Offset Glazing Chair & Bead

LS330: 90° Corner Post [] FS50: 50mm Stud [] LS315: NWR Square Glazing [] Single Glazing Bead [] Single Glazing Chair []



QIC Trims UK Ltd
Radclyve Road,
Buckingham MK18 4BL
T: +44 (0) 1280 818 950
E: sales@qic-trims.com

© QIC Trims UK Ltd
COPYRIGHT | 2023

Copyright in this drawing belongs to QIC Trims UK Ltd.
Neither the whole drawing or part thereof may be reproduced
without the prior permission in writing of QIC Trims UK Ltd.

Date: 15/12/13

QIC 75

Drawing No:

13-0300-60

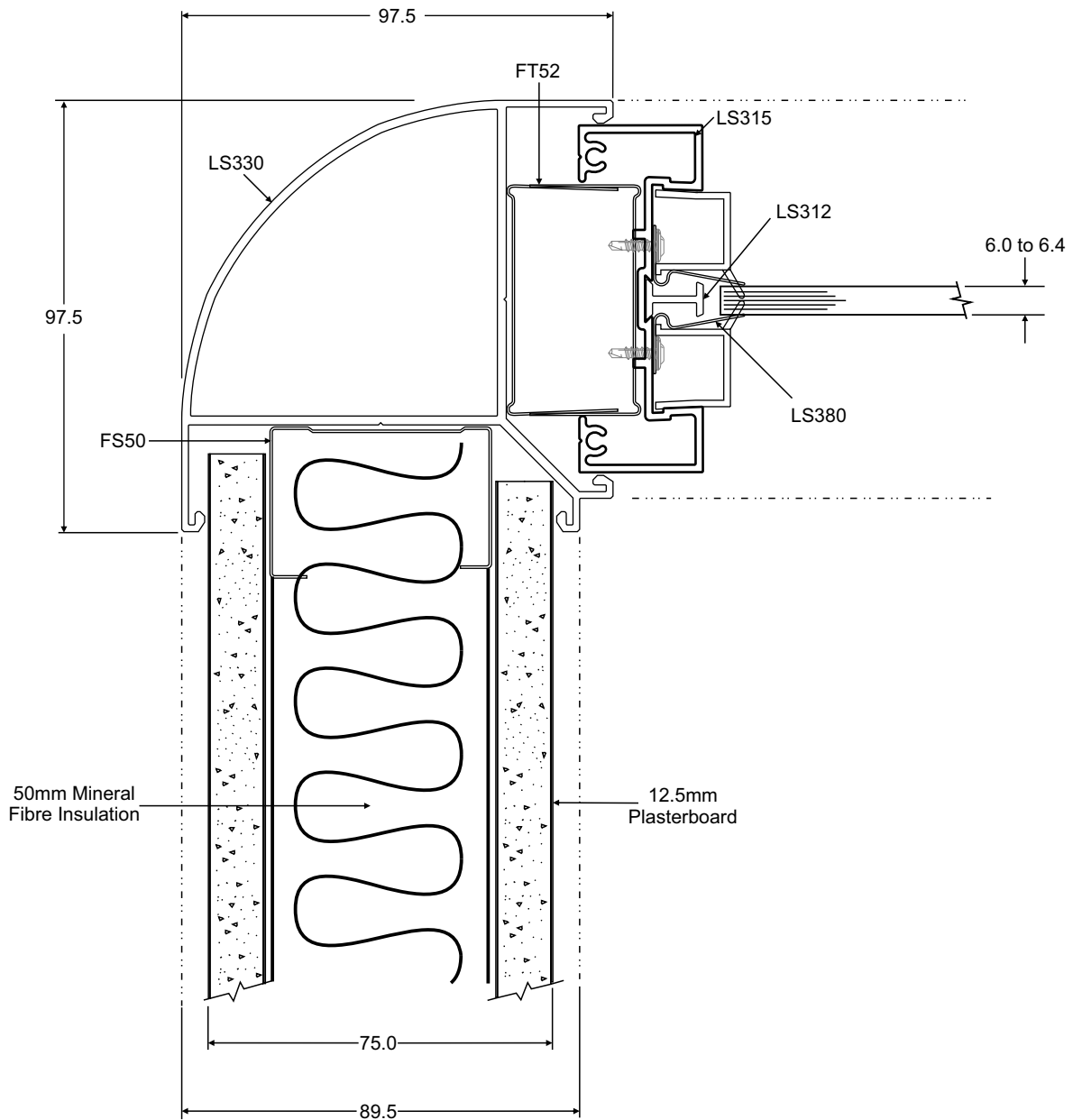
Title:

**75mm 90° Corner Post Detail Solid / Non
Wrap Round Single Glazing - Plan**

All dimensions are in mm and are nominal

All glass must conform to BS6262 and guidance provided in Building Regulations Document 'N'

Line of Skirting - - - - -



LS330: 90° Corner Post
 FS50: 50mm Stud
 LS315: NWR Square Glazing
 Single Glazing Bead
 LS380: Steel Glazing Bead
 LS312: SG FR Glazing 'T'
 FT52: 52mm Track



QIC Trims UK Ltd
 Radclive Road,
 Buckingham MK18 4BL
 T: +44 (0) 1280 818 950
 E: sales@qic-trims.com



QIC Trims UK Ltd
COPYRIGHT | 2023

Copyright in this drawing belongs to QIC Trims UK Ltd.
 Neither the whole drawing or part thereof may be reproduced
 without the prior permission in writing of QIC Trims UK Ltd.

Date: 15/12/13

QIC 75

Drawing No:

13-0300-61

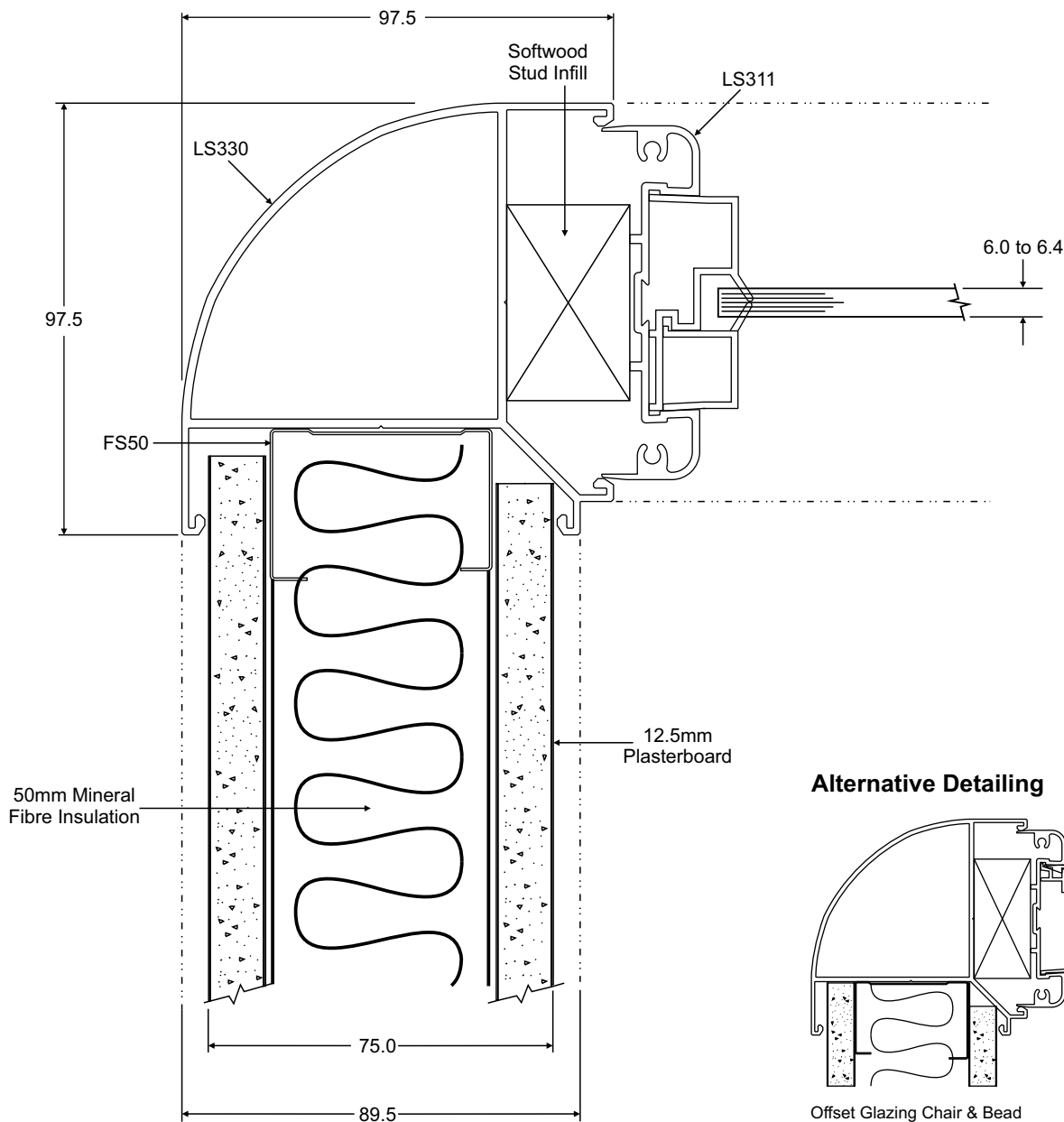
Title:

**75mm 90° Corner Post Detail Solid / Non Wrap
 Round Single Glazing 30 Min Fire Rated - Plan**

All dimensions are in mm and are nominal

All glass must conform to BS6262 and guidance provided in Building Regulations Document 'N'

Line of Skirting - - - - -



LS330: 90° Corner Post FS50: 50mm Stud LS311: WR Radius Glazing Single Glazing Chair Single Glazing Bead



QIC Trims UK Ltd
 Radclive Road,
 Buckingham MK18 4BL
 T: +44 (0) 1280 818 950
 E: sales@qic-trims.com

© **QIC Trims UK Ltd**
COPYRIGHT | 2023

Copyright in this drawing belongs to QIC Trims UK Ltd.
 Neither the whole drawing or part thereof may be reproduced
 without the prior permission in writing of QIC Trims UK Ltd.

Date: 15/12/13

QIC 75

Drawing No:

13-0300-62

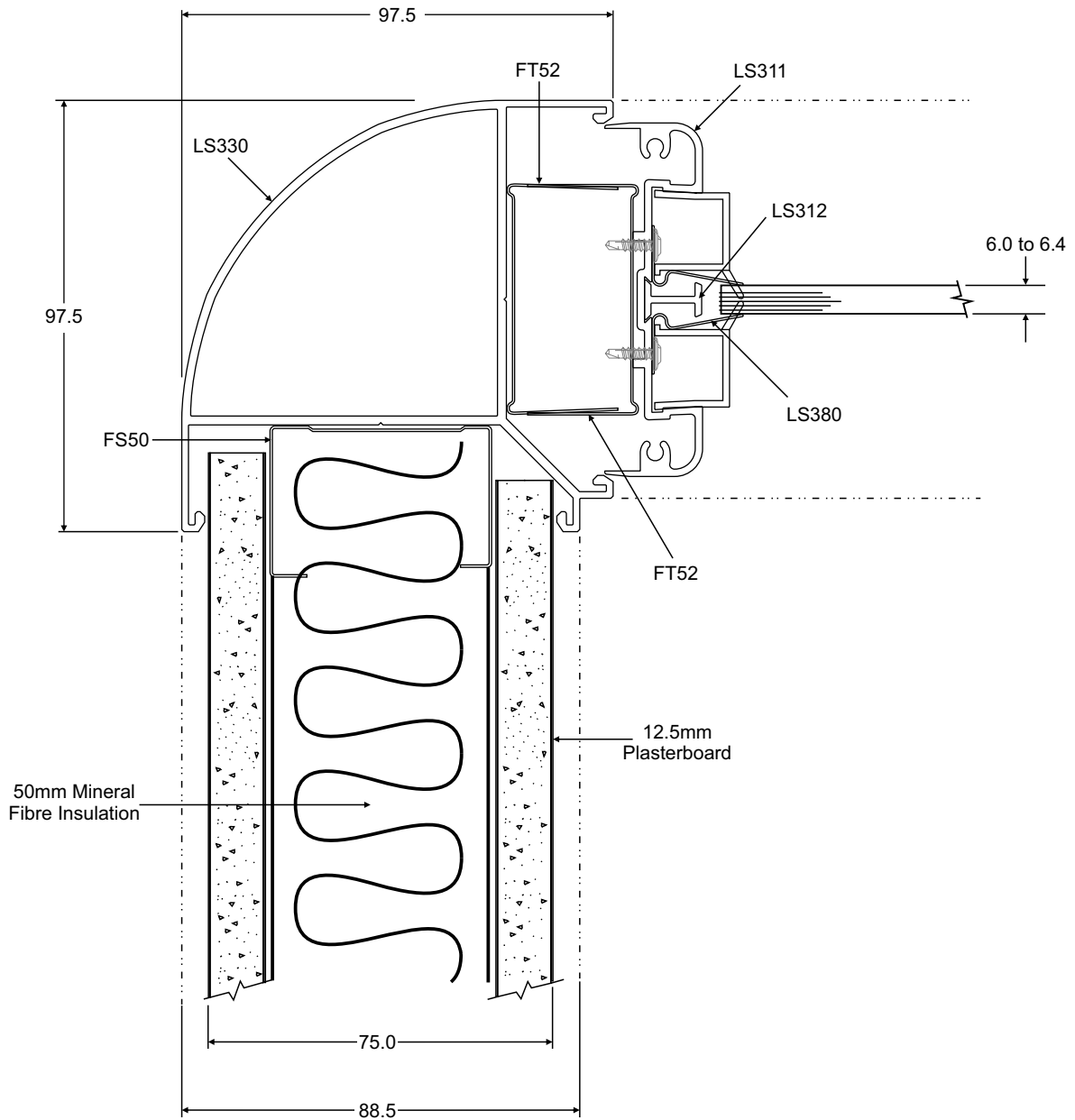
Title:

75mm 90° Corner Post Detail Solid / Wrap
Round Single Glazing - Plan

All dimensions are in mm and are nominal

All glass must conform to BS6262 and guidance provided in Building Regulations Document 'N'

Line of Skirting - - - - -



LS330: 90° Corner Post
 FS50: 50mm Stud
 LS311: WR Radius Glazing
 Double Glazing Chair
 Double Glazing Bead
 FT52: 52mm Track



QIC Trims UK Ltd
 Radclive Road,
 Buckingham MK18 4BL
 T: +44 (0) 1280 818 950
 E: sales@qic-trims.com



QIC Trims UK Ltd
 COPYRIGHT | 2023

Copyright in this drawing belongs to QIC Trims UK Ltd.
 Neither the whole drawing or part thereof may be reproduced
 without the prior permission in writing of QIC Trims UK Ltd.

Date: 15/12/13

QIC 75

Drawing No:

13-0300-63

Title:

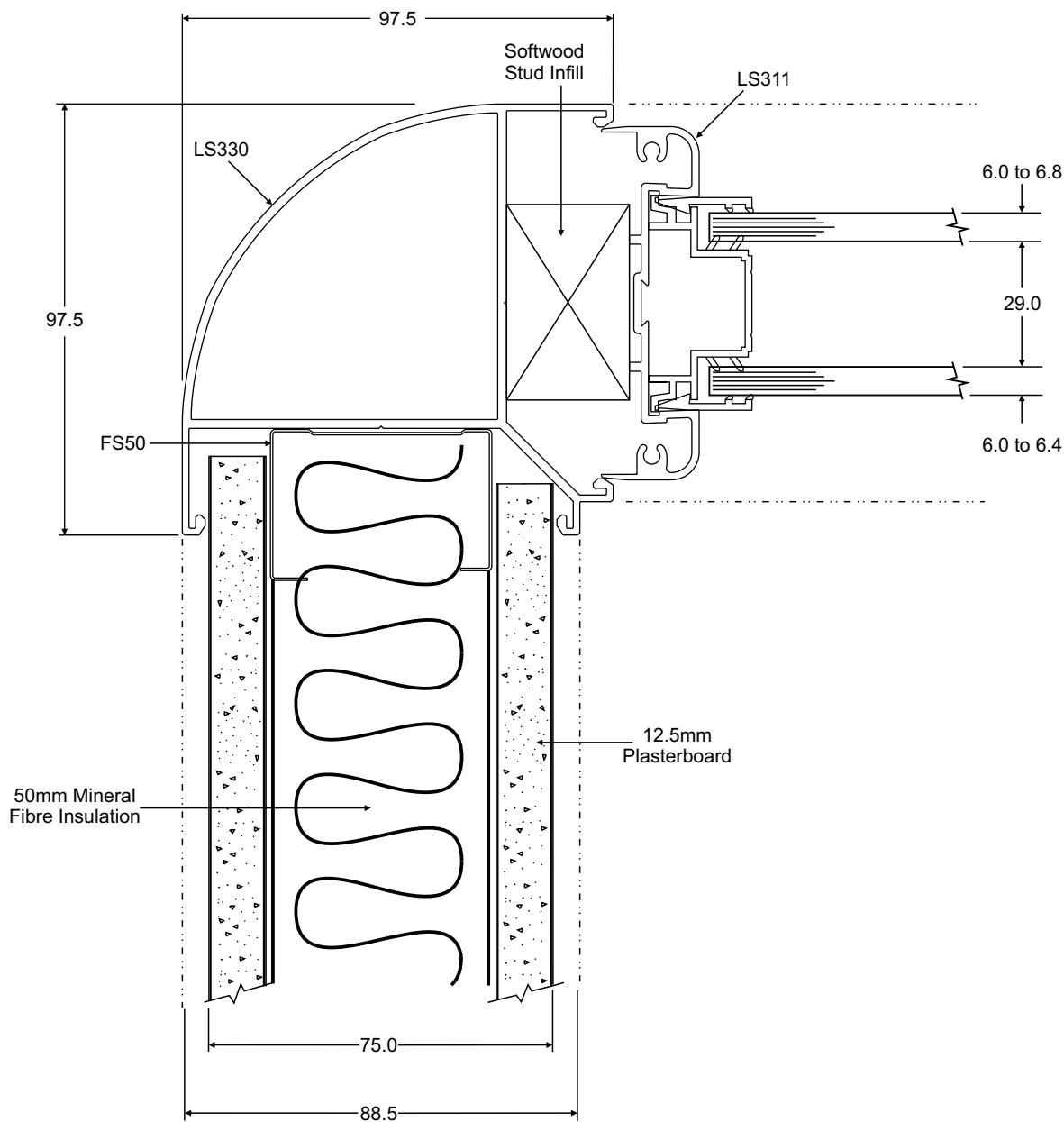
**75mm 90° Corner Post Detail Solid / Wrap Round
 30 Min Fire Rated Single Glazing- Plan**

All dimensions are in mm and are nominal

All glass must conform to BS6262 and guidance provided in Building Regulations Document 'N'

Glazing cavity is suitable for the fitting of 25mm and 15mm Venetian Blinds

Line of Skirting - - - - -



LS330: 90° Corner Post
 FS50: 50mm Stud
 LS311: WR Radius Glazing
 FT52: 52mm Track
 Double Glazing Chair
 Double Glazing Bead



QIC Trims UK Ltd
 Radclive Road,
 Buckingham MK18 4BL
 T: +44 (0) 1280 818 950
 E: sales@qic-trims.com

© QIC Trims UK Ltd
COPYRIGHT | 2023

Copyright in this drawing belongs to QIC Trims UK Ltd.
 Neither the whole drawing or part thereof may be reproduced
 without the prior permission in writing of QIC Trims UK Ltd.

Date: 15/12/13

QIC 75

Drawing No:

13-0300-64

Title:

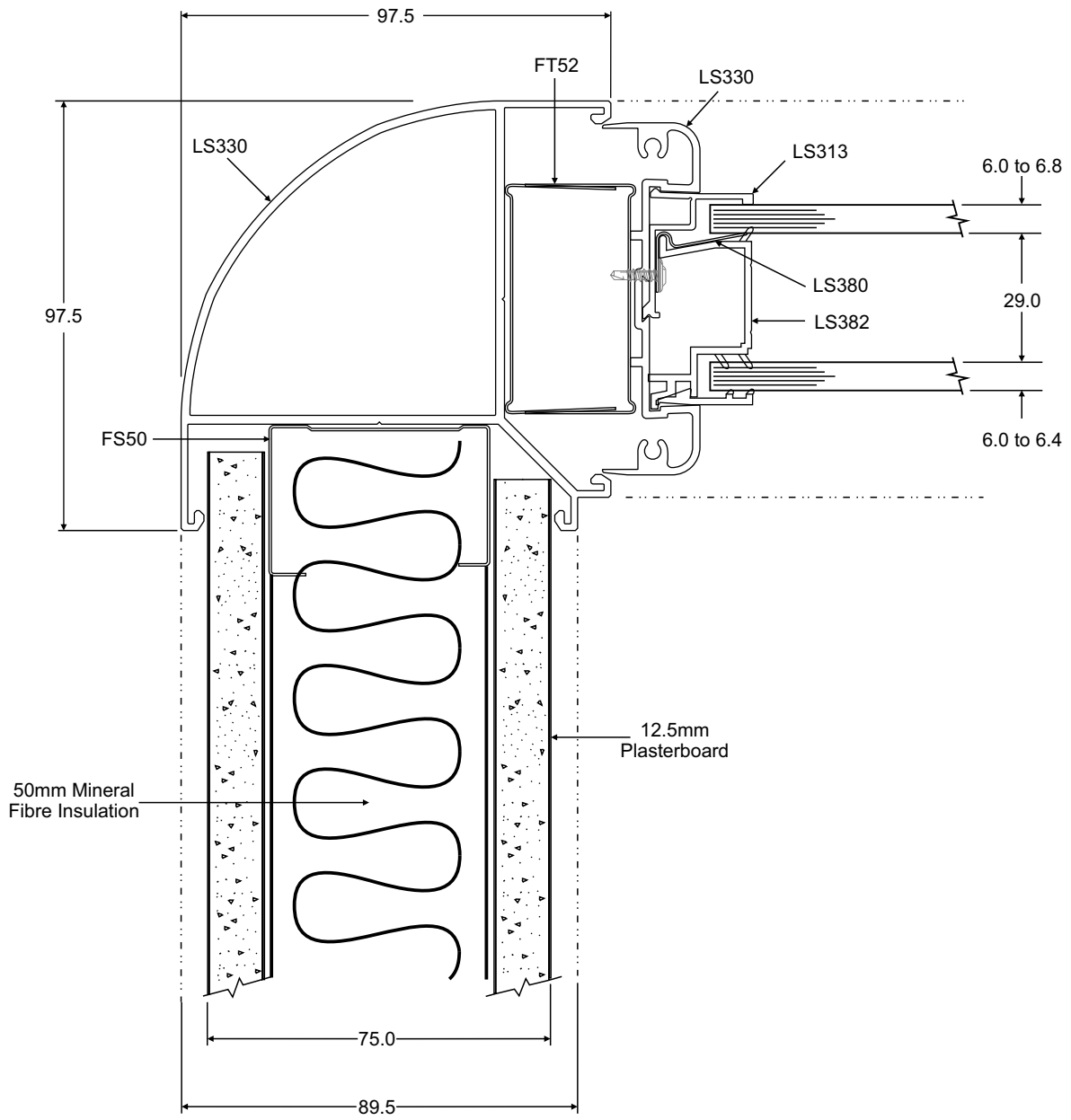
**75mm 90° Corner Post Detail Solid / Wrap
 Round Double Glazing - Plan**

All dimensions are in mm and are nominal

All glass must conform to BS6262 and guidance provided in Building Regulations Document 'N'

Glazing cavity is suitable for the fitting of 25mm and 15mm Venetian Blinds

Line of Skirting - - - - -



LS330: 90° Corner Post
 FS50: 50mm Stud
 LS311: WR Radius Glazing
 FT52: 52mm Track
 LS382: PVC FR Glazing Chair
 LS380: Steel Glazing Bead
 Double Glazing Bead
 LS313: DG FR Glazing Chair



QIC Trims UK Ltd
 Radclive Road,
 Buckingham MK18 4BL
 T: +44 (0) 1280 818 950
 E: sales@qic-trims.com

© QIC Trims UK Ltd
COPYRIGHT | 2023

Copyright in this drawing belongs to QIC Trims UK Ltd.
 Neither the whole drawing or part thereof may be reproduced
 without the prior permission in writing of QIC Trims UK Ltd.

Date: 15/12/13

QIC 75

Drawing No:

13-0300-65

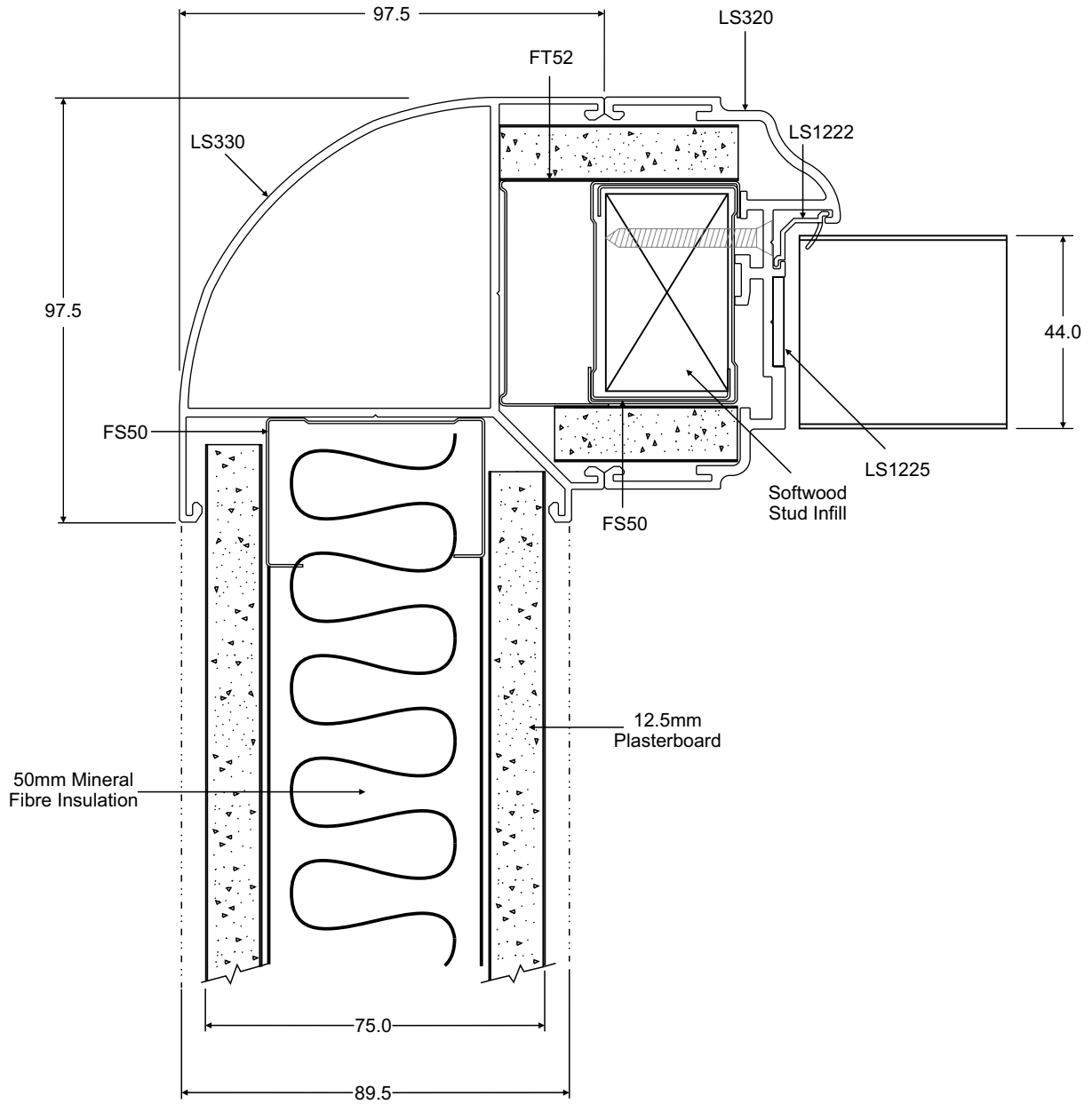
Title:

**75mm 135° Corner Post Detail Solid / Wrap
 Round 30 Min Fire Rated Double Glazing - Plan**

All dimensions are in mm and are nominal

NOTE: FD30 minute fire rated door assemblies must be fitted with Intumescent Strip (LS1225) and a suitable door closer.

Line of Skirting - - - - -



LS330: 90° Corner Post
 LS320: 75mm Door Frame
 FS50: 50mm Stud
 FT52: 52mm Track



QIC Trims UK Ltd
 Radclive Road,
 Buckingham MK18 4BL
 T: +44 (0) 1280 818 950
 E: sales@qic-trims.com

© QIC Trims UK Ltd
COPYRIGHT | 2023

Copyright in this drawing belongs to QIC Trims UK Ltd.
 Neither the whole drawing or part thereof may be reproduced
 without the prior permission in writing of QIC Trims UK Ltd.

Date: 15/12/13

QIC 75

Drawing No:

13-0300-66

Title:

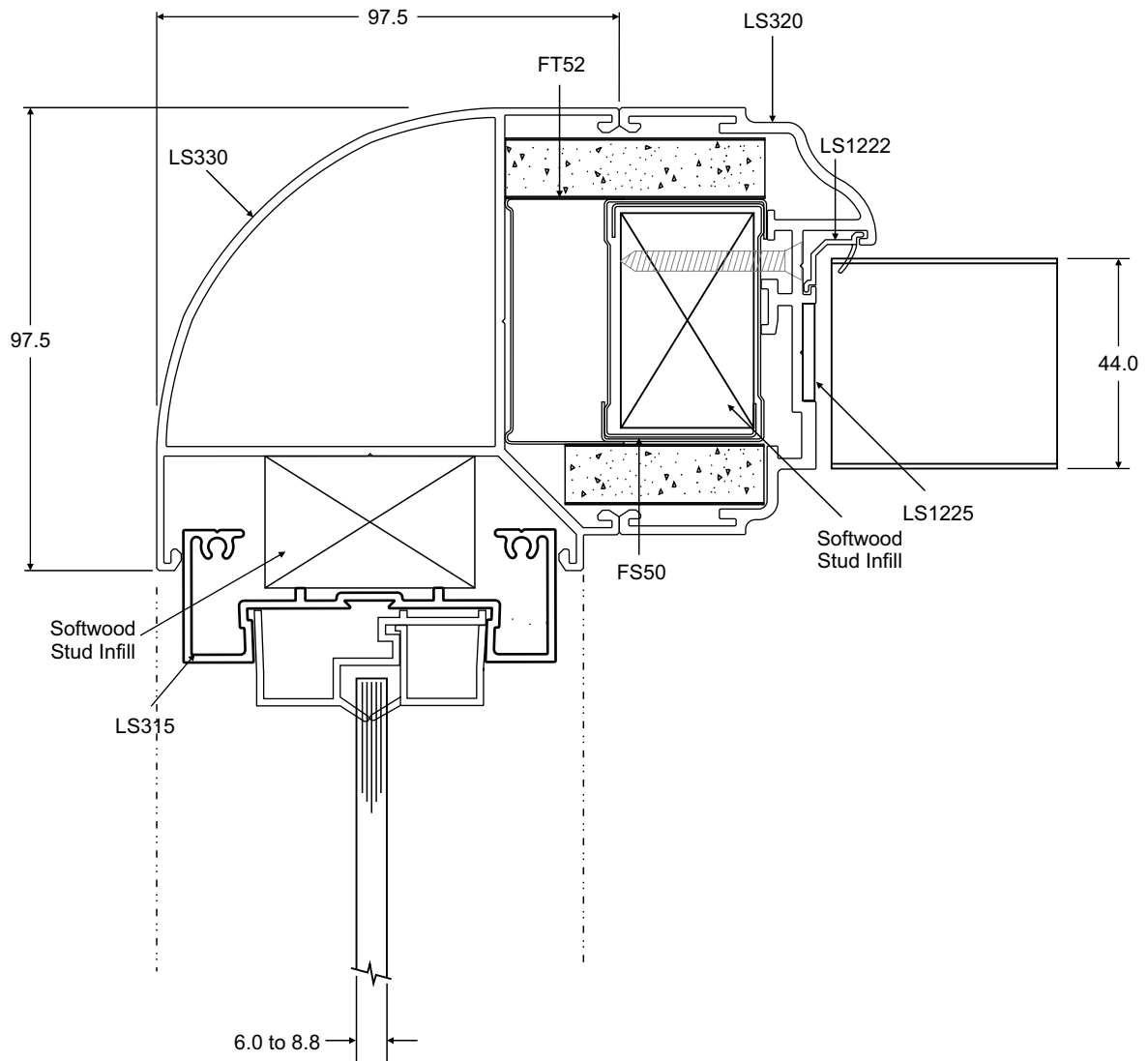
**75mm 90° Corner Post Detail Solid / Door
 Frame - Plan**

All dimensions are in mm and are nominal

All glass must conform to BS6262 and guidance provided in Building Regulations Document 'N'

NOTE: FD30 minute fire rated door assemblies must be fitted with Intumescent Strip (LS1225) and a suitable door closer.

Line of Skirting - - - - -



- LS330: 90° Corner Post
- LS315: 15mm Square Glazing Bead
- Single Glazing Chair
- LS320: 75mm Door Frame
- FT52: 52mm Track



QIC Trims UK Ltd
 Radclive Road,
 Buckingham MK18 4BL
 T: +44 (0) 1280 818 950
 E: sales@qic-trims.com

© QIC Trims UK Ltd
COPYRIGHT | 2023

Copyright in this drawing belongs to QIC Trims UK Ltd.
 Neither the whole drawing or part thereof may be reproduced
 without the prior permission in writing of QIC Trims UK Ltd.

Date: 15/12/13

QIC 75

Drawing No:

13-0300-67

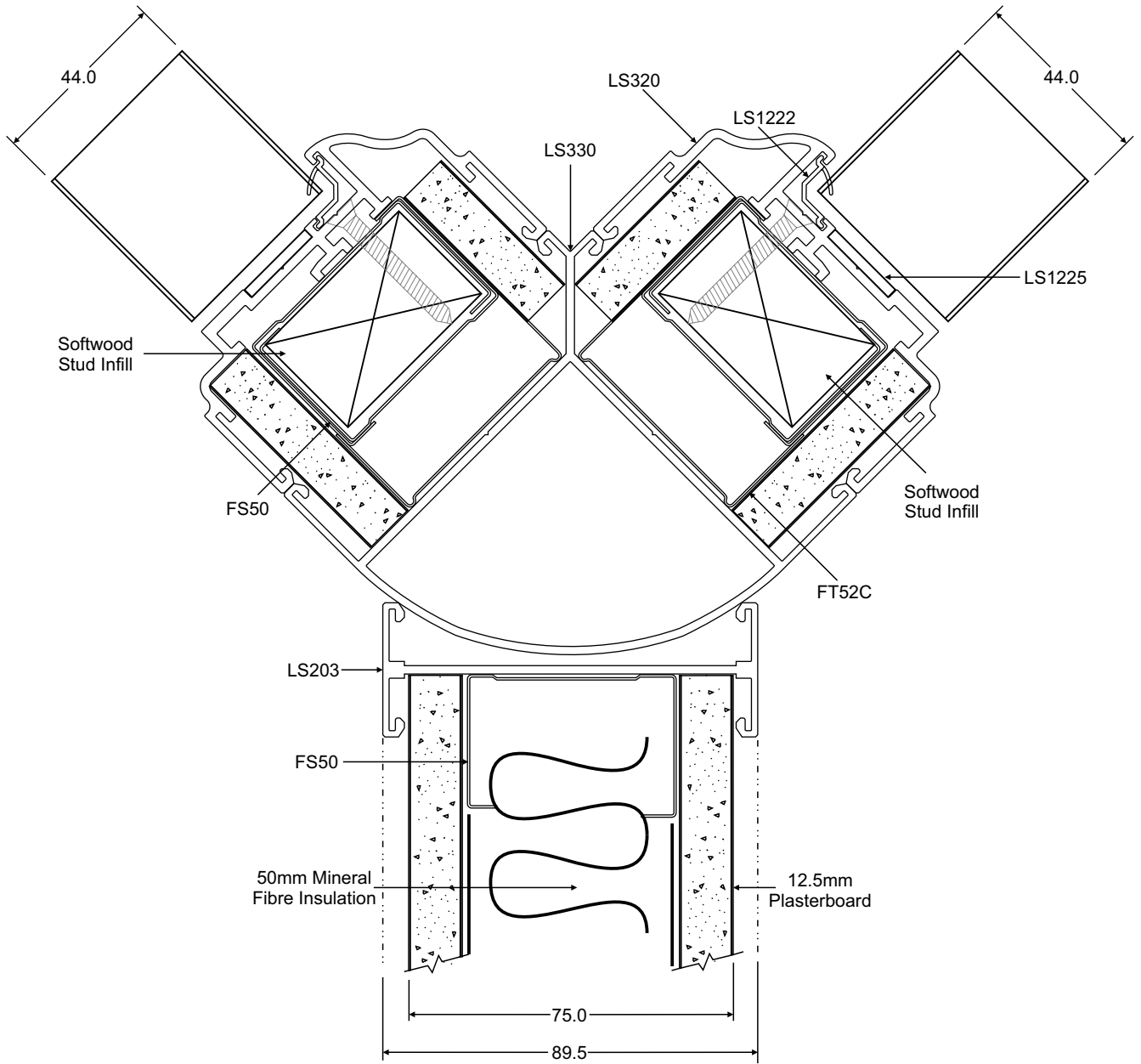
Title:

**75mm 90° Corner Post Detail Door Frame / Non
 Wrap Round Single Glazing - Plan**

All dimensions are in mm and are nominal

NOTE: FD30 minute fire rated door assemblies must be fitted with Intumescent Strip (LS1225) and a suitable door closer.

Line of Skirting - - - - -



LS330: 90° Corner Post
 LS320: 75mm Door Frame
 FS50: 50mm Stud
 FT52: 52mm Track
 LS203: Strong Post



QIC Trims UK Ltd
 Radclive Road,
 Buckingham MK18 4BL
 T: +44 (0) 1280 818 950
 E: sales@qic-trims.com

© QIC Trims UK Ltd
COPYRIGHT | 2023

Copyright in this drawing belongs to QIC Trims UK Ltd.
 Neither the whole drawing or part thereof may be reproduced
 without the prior permission in writing of QIC Trims UK Ltd.

Date: 15/12/13

QIC 75

Drawing No:

13-0300-68

Title:

**75mm 'Y' Junction Detail Solid / Door Frame
 - Plan**

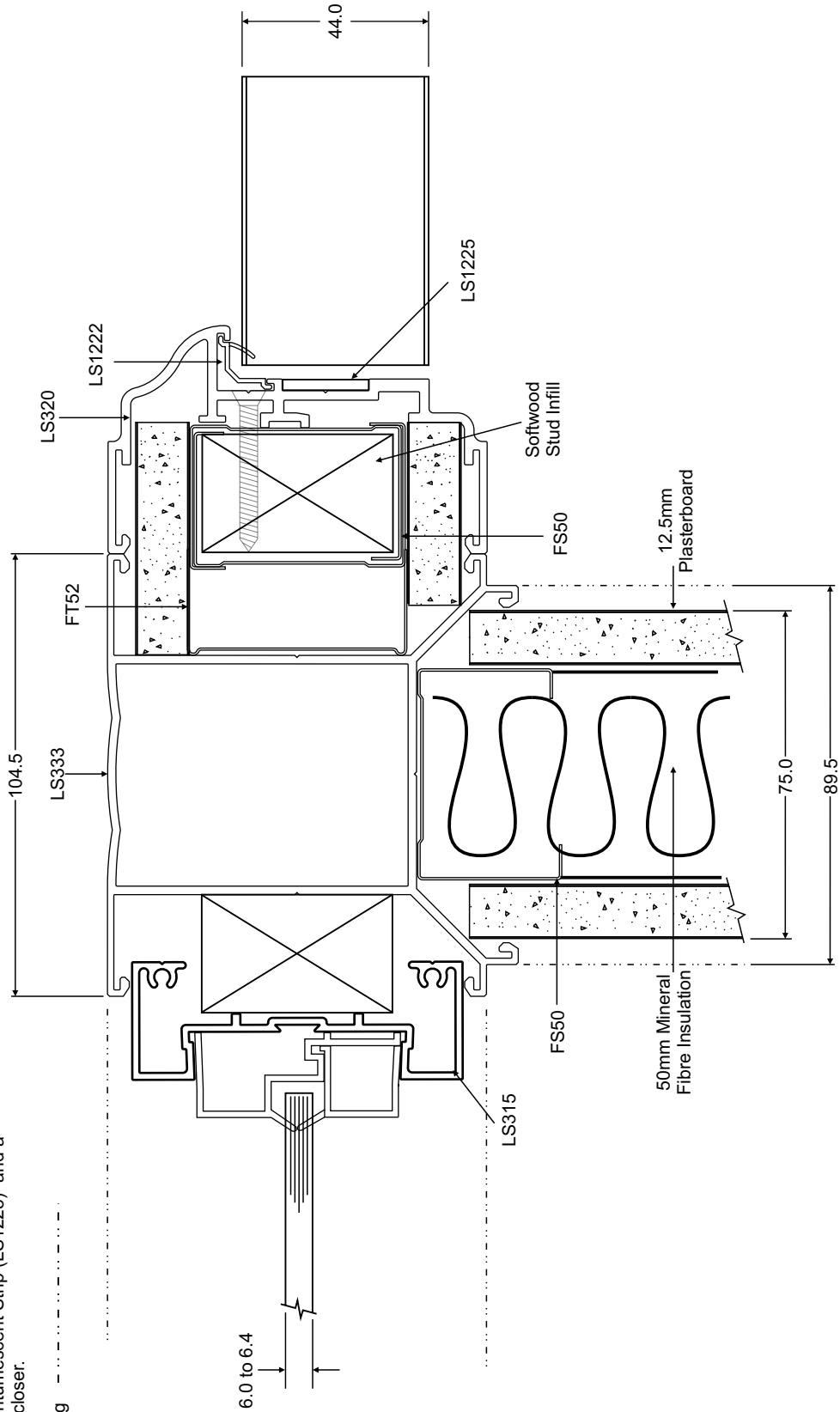
All dimensions are in mm and are nominal

All glass must conform to BS6262 and guidance provided in Building Regulations Document 'N'

Glazing cavity is suitable for the fitting of 25mm and 15mm Venetian Blinds

NOTE: FD30 minute fire rated door assemblies must be fitted with Intumescent Strip (LS1225) and a suitable door closer.

Line of Skirting - - - - -



LS333: 3 Way Post [] FS50: 50mm Stud [] LS315: NWR Square Glazing [] FT52: 52mm Track [] Single Glazing Bead [] Single Glazing Chair [] LS320: 75mm Door Frame []



QIC Trims UK Ltd
Radclyffe Road,
Buckingham MK18 4BL
T: +44 (0) 1280 818 950
E: sales@qic-trims.com



QIC Trims UK Ltd
COPYRIGHT | 2023

Copyright in this drawing belongs to QIC Trims UK Ltd.
Neither the whole drawing or part thereof may be reproduced
without the prior permission in writing of QIC Trims UK Ltd.

Date: 15/12/13

QIC 75

Drawing No:

13-0300-69

Title:

**75mm 3 Way Post Detail Solid / Non Wrap Round
Single Glazing / Door Frame - Plan**

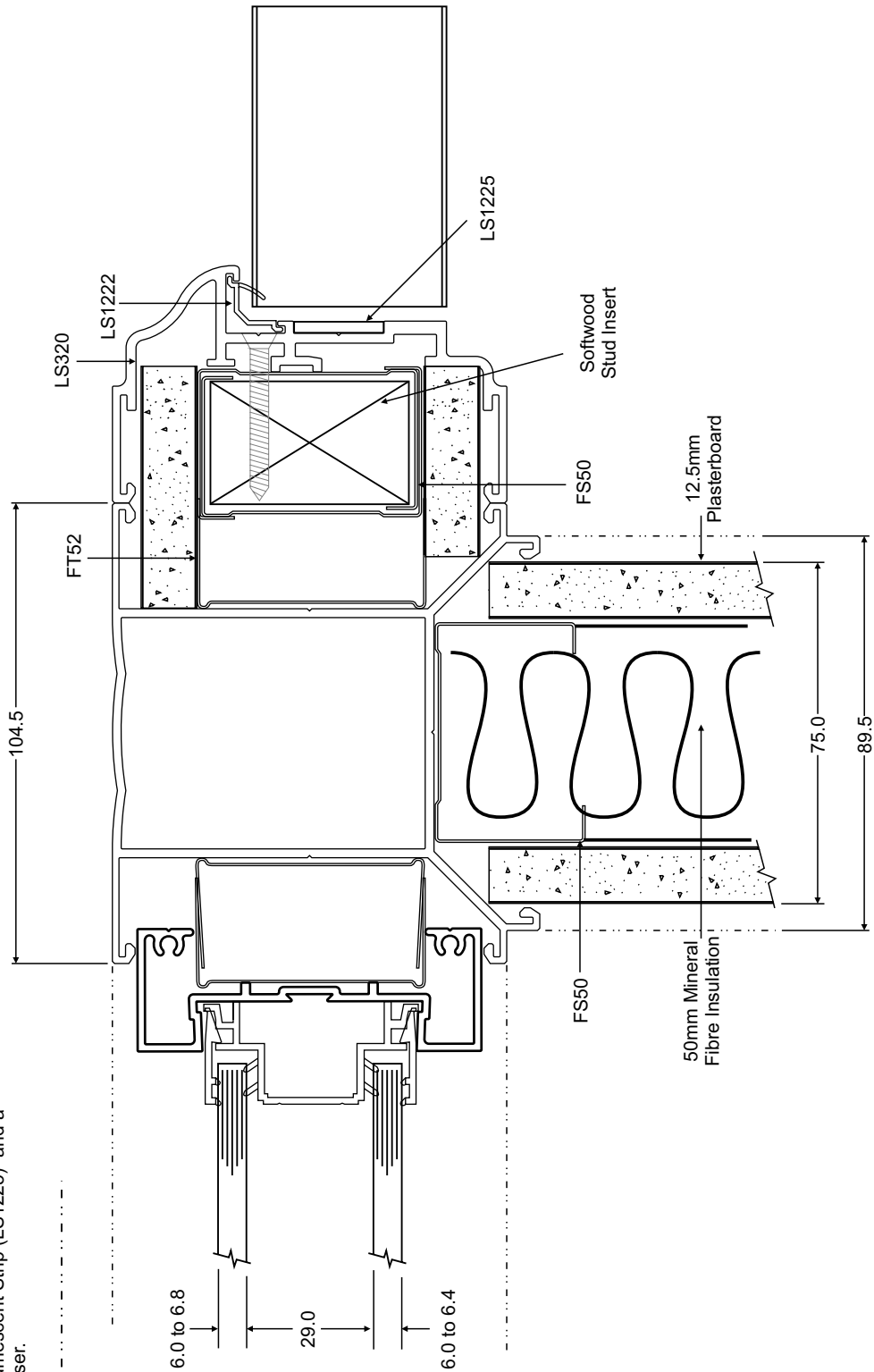
All dimensions are in mm and are nominal

All glass must conform to BS6262 and guidance provided in Building Regulations Document 'N'

Glazing cavity is suitable for the fitting of 25mm and 15mm Venetian Blinds

NOTE: FD30 minute fire rated door assemblies must be fitted with Intumescent Strip (LS1225) and a suitable door closer.

Line of Skirting - - - - -



LS320: 75mm Door Frame
Double Glazing Bead
Double Glazing Chair
FT52: 52mm Track
LS315: NWR Square Glazing
FS50: 50mm Stud
LS333: 3 Way Post



QIC Trims UK Ltd
Radclyffe Road,
Buckingham MK18 4BL
T: +44 (0) 1280 818 950
E: sales@qic-trims.com



QIC Trims UK Ltd
COPYRIGHT | 2023

Copyright in this drawing belongs to QIC Trims UK Ltd.
Neither the whole drawing or part thereof may be reproduced
without the prior permission in writing of QIC Trims UK Ltd.

Date: 15/12/13

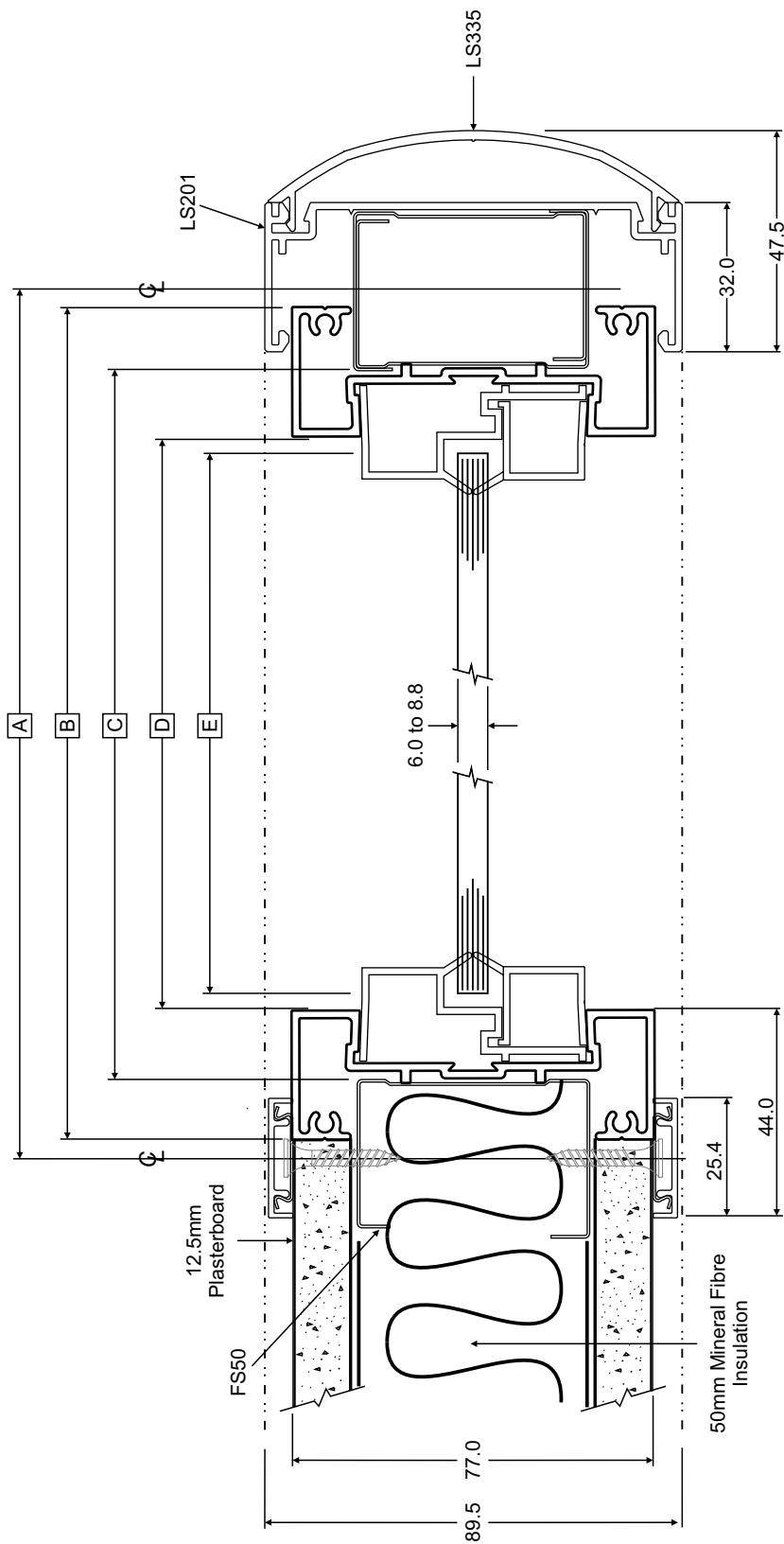
QIC 75

Drawing No:

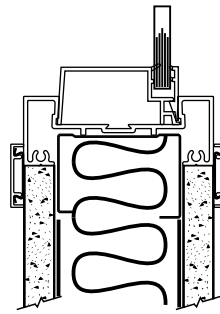
13-0300-70

Title:

75mm 3 Way Post Detail Solid / Non Wrap Round
Double Glazing / Door Frame - Plan



Optional Detailing



Offset Glazing Chair & Bead

- Dimension A** = Dim B + 7.5mm (Centre to Centre)
- Dimension B** = External frame dimension
- Dimension C** = Dim B - 26mm
- Dimension D** = Dim B - 56mm (Glazing Aperture)
- Dimension E** = Dim B - 62mm (Actual Glass Size)

All dimensions are in mm and are nominal.
 All glass must conform to BS6262 and guidance provided in Building Regulations Document 'N'

Line of Skirting - - - - -

LS315: NWR Square Glazing □ FS50: 50mm Stud LS355: WR Cover Trim LS335: Strong Post LS203: Single Glazing Bead LS335: End Capping Section



QIC Trims UK Ltd
 Radcliffe Road,
 Buckingham MK18 4BL
 T: +44 (0) 1280 818 950
 E: sales@qic-trims.com



QIC Trims UK Ltd
COPYRIGHT | 2023

Copyright in this drawing belongs to QIC Trims UK Ltd.
 Neither the whole drawing or part thereof may be reproduced
 without the prior permission in writing of QIC Trims UK Ltd.

Date: 15/12/13

QIC 75

Drawing No:

13-0300-71

Title:

**75mm Non Wrap Round Single Glazing/Solid
 Module: C/W End Capping Section - Plan**

QIC Trims UK Ltd
Radclive Road,
Buckingham MK18 4BL
Tel: +44 (0) 1280 818 950
Email – sales@qic-trims.com